

Suggested U.S. Resale Prices

Prices Effective
July 1, 2008

*Applies to Full Line
Product Catalog*

Customer Service

888-743-4333

(General Order Assistance)

Technical Service

800-519-3456

*(Product Application
Assistance)*

Visit our web site:

www.RIDGID.com



RIDGID[®]

Contents

Benders		
Conduit	31	
Lever	30-31	
Ratchet	31	
Spring	31	
Bolt Cutters	29	
Cable Cutter	29	
Cable Trimmers/Bushings	29	
Core Drilling Equipment	32	
Deburring Tool	9	
Diagnostic Equipment		
IR Thermometer	30	
SeeSnake Systems	37-38	
Locators	38	
Die Heads		
Complete, for Pipe and Bolt	20	
For Machines	21-23	
Dies		
For 141 Geared Pipe Threader	16	
For 161 Geared Pipe Threader	16	
For Machines	21	
Drill Bits	33	
Extractors		
Pipe	6	
Screw	30	
Flaring Tools	32	
Grooving/Beveling Dies	22	
Hammers	27	
Hole Cutting Tools	25	
Knock-Outs	28	
Levels	26-27	
Nipple Chuck Adaptors	23	
Oil, Thread Cutting	16	
Oilers	17	
Pipe Tools		
Cutters	5	
Extractors	6	
Reamers	6	
Stands/Supports	4	
Taps	7	
Threader Sets	10	
Vises	4	
Pliers	28	
Power Cut-Off Device	7	
Power Drives		
Model 700	17	
Model 600	17	
Model 300	18	
Model 300C	19	
Model 690	17	
Power Drive Accessories	17	
Pressure Test Pump	34	
Ratchet Tube Wrenches	32	
Reamers, Pipe	6	
RIDGID Pressing Tools for ProPress	35-36	
Roll Groovers	23-24	
Rules	27	
Saws		
Blades	27	
Dry Cut Saw	7	
Hack Saw	27	
Hole Saw	25	
Screw Drivers	27	
Sealants	16	
Shovels	29	
Snips	28	
Soldering Gun	34	
Superfreeze	34	
Tapes	27	
Tapping Tool	25	
Threaders		
Bolt	10	
Threading Machines		
Model 300 Compact	19	
Model 535	18	
Model 535A	18	
Model 1210	19	
Model 1215	19	
Model 1224	20	
Model 1822	19	
Stands	18-19	
Tool Boxes	27	
Tubing Tools		
Cutters	7	
Cutter Wheels	9	
Expanders	31	
Swaging Tools	31	
Vises		
F-Series	26	
Wet/Dry Vac	33	
Wrenches		
Adjustables	3	
Aluminum	1	
Heavy Duty	1	
Offset	1	
Parts	2	
Plastic Basin Nut	3	
Drain Cleaning Equipment		
Closet Augers K-3, K-6	39	
Auto Spin	40	
Drain Guns K-39, K-40	40	
Hand Spinner, K-25, K-26, K-Spin	40	
Pipe Thawing	34	
Sewer Tapes	39	
Sink Machine K-40	41	
Submersible Pumps	39	
Sectional Cable Machine		
K-50 3"	47	
K-60 4"	48	
K-75 4"	48	
K-1500 4"	49	
Drum Machines		
K-380 4"	42	
K-375R	46	
K-750R	46	
K-750 4"	44	
K-3800 4"	42	
K-6200 6"	44	
K-7500 10"	45	
Rodding Machine		
K-1000	50	
Water Jetters		
KJ-2200	52	
KJ-1350/1750	51	
KJ-3000	52	

Number 095691 is the Universal Company Code (UCC) assigned uniquely to the Ridge Tool Company.

As of this printing Ridge Tool Products cannot be ordered using the Universal Product Code (UPC) method.

IMPORTANT: When ordering parts for tools, specify tool name and catalog number, size, part number, description and quantity. Parts are priced individually or per set.

Cat. Page	Item No.	Resale Price	Disc. Code	Description	Std. Pack	Wt. (lbs.)	Cat. Page	Item No.	Resale Price	Disc. Code	Description	Std. Pack	Wt. (lbs.)
-----------	----------	--------------	------------	-------------	-----------	------------	-----------	----------	--------------	------------	-------------	-----------	------------

Pipe Wrenches



1.2 - Straight Pipe Wrenches

31000	14.80	HC	6"		6	0.45 lbs.
31005	17.30	HC	8"		6	0.80 lbs.
31010	22.80	HC	10"		6	1.74 lbs.
31015	26.35	HC	12"		6	2.58 lbs.
31020	29.50	HC	14"	HEAVY-DUTY DUCTILE IRON	6	3.62 lbs.
31025	42.60	HC	18"		6	5.79 lbs.
31030	67.50	HC	24"		6	9.55 lbs.
31035	144.00	HC	36"		1	19.62 lbs.
31040	217.10	HC	48"		1	30.50 lbs.
31045	316.30	HC	60"		1	51.00 lbs.



1.2 - RAPIDGRIP Wrench

10348	26.45	HC	10"	HEAVY-DUTY DUCTILE IRON	6	1.70 lbs.
10358	32.55	HC	14"		6	4.00 lbs.



1.3 - End Pipe Wrenches

31050	17.20	HC	E-6		6	0.41 lbs.
31055	19.95	HC	E-8		6	0.83 lbs.
31060	26.55	HC	E-10		6	1.83 lbs.
31065	30.90	HC	E-12	HEAVY-DUTY DUCTILE IRON	6	2.71 lbs.
31070	35.30	HC	E-14		6	3.36 lbs.
31075	50.50	HC	E-18		6	5.32 lbs.
31080	79.45	HC	E-24		6	9.00 lbs.
31085	168.70	HC	E-36		1	17.25 lbs.



1.3 - Heavy Duty Offset Pipe Wrenches

89435	50.10	HC	14"		6	3.75 lbs.
89440	74.00	HC	18"	HEAVY-DUTY	6	6.50 lbs.
89445	117.10	HC	24"		6	12.00 lbs.



1.3 - Rapwrench

31395	29.50	HC	10" Rapwrench		6	2.00 lbs.
-------	-------	----	---------------	--	---	-----------



1.4 - Aluminum Straight Pipe Wrenches

31090	36.35	HC	810		6	1.15 lbs.
47057	43.50	HC	812		6	1.63 lbs.
31095	49.35	HC	814		6	2.33 lbs.
31100	61.55	HC	818	ALUMINUM HANDLE	6	3.50 lbs.
31105	98.25	HC	824		6	6.00 lbs.
31110	169.05	HC	836		1	10.50 lbs.
31115	333.05	HC	848		1	18.60 lbs.



1.4 - Aluminum RAPIDGRIP

12693	51.75	HC	14"	ALUMINUM HANDLE	6	2.20 lbs.
12698	65.25	HC	18"		1	3.00 lbs.



1.4 - Aluminum End Wrenches

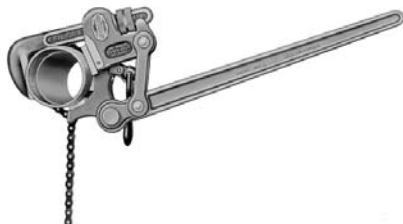
90107	40.10	HC	E-910 10"		6	1.25 lbs.
90117	56.75	HC	E-914 14"	ALUMINUM HANDLE	6	2.10 lbs.
90122	70.95	HC	E-918 18"		6	2.50 lbs.
90127	112.25	HC	E-924 24"		6	5.30 lbs.



1.4 - Aluminum Offset Pipe Wrenches

31120	62.30	HC	14"		6	2.08 lbs.
31125	84.75	HC	18"	ALUMINUM HANDLE	6	3.47 lbs.
31130	130.20	HC	24"		6	6.06 lbs.

Cat. Page	Item No.	Resale Price	Disc. Code	Description	Std. Pack	Wt. (lbs.)
1.9 - Pipe Wrench Components						
31570	2.80	HC	D1328	6"	6	0.02 lbs.
31595	2.95	HC	D1329	8"	6	0.03 lbs.
31615	3.05	HC	D1330	10"	6	0.07 lbs.
31645	3.55	HC	D1331	12"	6	0.09 lbs.
31665	4.00	HC	D1332	14"	6	0.12 lbs.
31685	5.90	HC	D1333	18"	6	0.17 lbs.
31710	8.70	HC	D1334	24"	6	0.32 lbs.
31735	16.00	HC	D1335	36"	6	0.49 lbs.
31760	24.75	HC	D1336	48"	6	0.75 lbs.
31785	43.85	HC	D1337	60"	6	1.53 lbs.
WRENCH NUT						
31575	1.60	HP	E4780	6"	1	0.01 lbs.
31600	1.50	HP	E4781	8"	1	0.01 lbs.
31625	1.50	HP	E4782	10"	1	0.01 lbs.
31650	1.50	HP	E4783	12-14"	1	0.01 lbs.
31690	1.50	HP	E4784	18"	1	0.01 lbs.
31715	1.50	HP	E4785	24"	1	0.01 lbs.
31740	1.50	HP	E4786	36"	1	0.02 lbs.
31765	1.50	HP	E4787	48"	1	0.02 lbs.
31790	1.65	HP	E4788	60"	1	0.03 lbs.
PIN						
31560	4.45	HC	E4200X	6"	6	0.02 lbs.
31585	5.45	HC	E4201X	8"	6	0.03 lbs.
31610	7.20	HC	E4202X	10"	6	0.09 lbs.
31635	9.25	HC	E4203X	12-14"	6	0.16 lbs.
31675	12.40	HC	E4204X	18"	6	0.24 lbs.
31700	18.95	HC	E4205X	24"	6	0.32 lbs.
31725	31.75	HC	E4206X	36"	6	0.55 lbs.
31750	50.05	HC	E4207X	48"	6	0.79 lbs.
31775	82.60	HC	E4208X	60"	6	1.15 lbs.
15233	7.85	HC	10 RapidGrip		1	0.10 lbs.
15173	12.40	HC	18 RapidGrip		1	1.00 lbs.
HEEL JAW & PIN						
31565	2.95	HC	E2671	6"	6	0.01 lbs.
31590	3.05	HC	E2672	8"	6	0.01 lbs.
31620	3.25	HC	E2673	10"	6	0.03 lbs.
31640	3.55	HC	E2674	12"	6	0.03 lbs.
31660	4.00	HC	E2675	14"	6	0.04 lbs.
31680	7.20	HC	E2676	18"	6	0.06 lbs.
31705	8.05	HC	E2677	24"	6	0.07 lbs.
31730	10.40	HC	E2678	36"	6	0.10 lbs.
31755	12.40	HC	E2679	48"	6	0.16 lbs.
31780	20.90	HC	E2680	60"	6	0.24 lbs.
COIL & FLAT SPRING						
31555	9.60	HC	E586	6"	6	0.12 lbs.
31580	9.60	HC	E585	8"	6	0.24 lbs.
31605	12.40	HC	E579	10"	6	0.48 lbs.
31630	14.35	HC	E587	12"	6	0.68 lbs.
31655	16.95	HC	E566	14"	6	0.97 lbs.
31670	23.80	HC	D344	18"	6	1.53 lbs.
31695	37.15	HC	D342	24"	6	2.22 lbs.
31720	78.00	HC	C414	36"	6	4.29 lbs.
31745	116.25	HC	C323	48"	6	7.42 lbs.
31770	185.40	HC	C348X	60"	2	13.90 lbs.
15183	12.40	HC	10 RapidGrip		1	1.00 lbs.
32645	26.95	HC	17 Hex		6	1.20 lbs.
32655	41.95	HC	25 Hex		6	2.00 lbs.
32690	16.75	HC	E-110 Hex		6	0.45 lbs.
32785	19.25	HC	Spud		1	0.84 lbs.
HOOK JAW						



1.3 - Compound Leverage Pipe Wrenches

31375	335.65	HC	S-2		1	7.38 lbs.
-------	--------	----	-----	--	---	-----------

Cat. Page	Item No.	Resale Price	Disc. Code	Description	Std. Pack	Wt. (lbs.)
31380	490.25	HC	S-4A		1	33.30 lbs.
31385	663.50	HC	S-6A		1	45.50 lbs.
31390	988.00	HC	S-8A		1	64.25 lbs.



1.5 - Chain Wrenches

31310	47.20	HC	C-12	LIGHT DUTY	1	2.03 lbs.
31315	60.35	HC	C-14		1	2.68 lbs.
31320	90.20	HC	C-18	HEAVY DUTY	1	5.90 lbs.
31325	104.70	HC	C-24		1	8.25 lbs.
31330	214.90	HC	C-36		1	15.80 lbs.



1.5 - Strap Wrenches

31335	28.75	HC	1 w/ 17" Strap		1	1.12 lbs.
31340	31.65	HC	2 w/ 17" Strap		1	0.75 lbs.
31345	36.30	HC	2 w/ 30" Strap		1	0.84 lbs.
31350	39.10	HC	2 w/ 24" Strap		1	0.81 lbs.
31355	35.55	HC	2P f/ Plastic		1	1.82 lbs.
31360	63.55	HC	No.5 Strap Wrench		1	2.00 lbs.
31365	76.30	HC	5P w/ 48" Strap		1	2.12 lbs.
31370	66.60	HC	5P f/ Plastic		1	2.00 lbs.

1.5 - Replacement Straps

31990	11.75	HC	E3779	1 17"	1	0.03 lbs.
32015	12.50	HC	E5704	2 17"	1	0.13 lbs.
32020	15.65	HC	E5706	2 24"	1	0.15 lbs.
32025	22.15	HC	E5705	2 30"	1	0.18 lbs.
32050	29.95	HC	E6121	5 29 1/4"	1	0.19 lbs.
32055	42.05	HC	E5259	5 48"	1	0.43 lbs.
32035	13.85	HC	E1244	2P 17"	1	0.14 lbs.
32065	29.95	HC	E1245	5P 30"	1	0.38 lbs.

Cat. Item Resale Disc. Std. Wt.
Page No. Price Code Description Pack (lbs.)



1.6 - Hex Wrenches

31275	55.00	HC	17		6	4.37 lbs.
31280	84.45	HC	25	STRAIGHT	6	8.83 lbs.
31305	32.25	HC	E-110 Offset		6	1.80 lbs.



1.6 - Spud Wrench

31400	38.75	HC	12"		6	2.45 lbs.
-------	-------	----	-----	--	---	-----------



1.6 - Chain Tongs

92665	239.45	HC	3229 1/4 - 2"		1	10.00 lbs.
92670	321.10	HC	3231 3/4 - 4"		1	17.00 lbs.
92675	412.55	HC	3233 1 - 6"	DOUBLE	1	24.00 lbs.
92680	504.25	HC	3235 1 1/2 - 8"	END	1	32.00 lbs.
92685	826.60	HC	3237 2 - 12"		1	56.00 lbs.
92660	2043.65	HC	3215 4 - 18" Single End		1	134.00 lbs.



1.7 - Basin Wrenches

31170	27.95	HC	1010		1	1.68 lbs.
31175	34.35	HC	1017		1	1.97 lbs.
31180	39.65	HC	1019		1	2.25 lbs.



1.7 - Internal Wrench

31405	68.60	HC	342		1	1.67 lbs.
-------	-------	----	-----	--	---	-----------

Cat. Item Resale Disc. Std. Wt.
Page No. Price Code Description Pack (lbs.)



1.7 - Adjustable Wrenches

86902	15.75	HS	756 6"		2	0.30 lbs.
86907	16.25	HS	758 8"		2	0.70 lbs.
86912	19.50	HS	760 10"		2	1.00 lbs.
86917	27.65	HS	762 12"	HEAVY DUTY	2	2.00 lbs.
86922	42.25	HS	765 15"		2	3.00 lbs.
86927	65.50	HS	768 18"		2	4.50 lbs.
86932	121.40	HS	774 24"		1	7.00 lbs.

16503	21.85	HS	776 8"	PLUMBERS'	2	0.35 lbs.
16508	24.05	HS	777 10"	WIDE	2	1.00 lbs.
16513	27.30	HS	778 12"	MOUTH	2	1.00 lbs.

- Adjustable Wrench w/Display★

18638	24.05	HS	10" Wide Mouth		20	1.10 lbs.
18633	26.05	HS	12"		20	1.65 lbs.



1.8 - One Stop Wrench

97452	25.30	HC	One Stop Wrench		12	1.20 lbs.
-------	-------	----	-----------------	--	----	-----------



1.8 - Faucet & Sink Installer

66807	23.10	HS	2006		6	0.94 lbs.
-------	-------	----	------	--	---	-----------

Cat. Page	Item No.	Resale Price	Disc. Code	Description	Std. Pack	Wt. (lbs.)
-----------	----------	--------------	------------	-------------	-----------	------------



2.2 - Stand Chain Visers

16703	340.00	HS	425	1/8" - 2-1/2"	1	33.00 lbs.
72037	468.75	HS	460	1/8 - 6"	1	50.00 lbs.
40165	287.60	HC	560	Chain Vise	1	25.50 lbs.



2.2 - Top Screw Bench Chain Visers

40185	126.25	HC	BC210	1/8" - 2 1/2"	1	7.63 lbs.
40195	208.50	HC	BC410	1/8" - 4"	1	14.70 lbs.
40205	278.25	HC	BC510	1/8" - 5"	1	14.80 lbs.
40210	380.95	HC	BC610	1/4" - 6"	1	24.55 lbs.
40215	500.30	HC	BC810	1/2" - 8"	1	37.31 lbs.
40190	125.95	HC	BC210P	1/2" - 2 7/8"	1	7.63 lbs.
40200	207.90	HC	BC410P	1/2" - 4 1/2"	1	15.06 lbs.
40222	133.90	HP	BC410	Jaw f/Plastic Pipe	1	1.00 lbs.

2.2 - Bottom Screw Bench Chain Visers

40175	125.95	HC	BC2A	1/8" - 2"	1	5.94 lbs.
40180	208.20	HC	BC4A	1/8" - 4"	1	13.25 lbs.



2.3 - Portable Tristand Yoke Visers

40130	533.45	HS	40A	1/8" - 2 1/2"	1	46.50 lbs.
-------	--------	----	-----	---------------	---	------------

Cat. Page	Item No.	Resale Price	Disc. Code	Description	Std. Pack	Wt. (lbs.)
-----------	----------	--------------	------------	-------------	-----------	------------



2.3 - Bench Yoke Visers

40080	171.05	HC	21	1/8" - 2"	1	8.56 lbs.
40085	203.15	HC	22	1/8" - 2 1/2"	1	12.75 lbs.
40090	251.25	HC	23	1/8" - 3"	1	19.30 lbs.
40100	292.35	HC	25	1/8" - 4"	1	27.50 lbs.
40110	682.35	HC	27	1/8" - 6"	1	65.60 lbs.

2.3 - Top Screw Post Chain Vise

40170	294.60	HC	640	1/8" - 5"	1	23.00 lbs.
-------	--------	----	-----	-----------	---	------------

2.3 - Portable Kit Yoke Visers

40125	272.65	HC	39	1/8" - 2 1/2"	1	15.40 lbs.
-------	--------	----	----	---------------	---	------------



2.3 - Welding Visers

40220	162.05	HC	461	Straight 1/2" - 8"	1	16.00 lbs.
40225	237.45	HC	462	Angle 1/2" - 12"	1	18.12 lbs.
40230	200.65	HC	463	Elbow 2 1/2" - 8"	1	14.00 lbs.
40235	432.25	HC	464	Flange 2 1/2" - 8"	1	17.00 lbs.

Pipe Fabrication Tools



2.4 - Pipe Stands

56657	76.90	HS	VJ-98	V-Head Low	1	20.06 lbs.
56662	77.50	HS	VJ-99	V-Head High	1	24.13 lbs.
56667	100.85	HS	RJ-98	Roller Head Low	1	23.94 lbs.
56672	100.85	HS	RJ-99	Roller Head High	1	28.44 lbs.
56682	139.90	HS	CJ-99	Conv.Hd.High Stand	1	18.81 lbs.
42505	302.40	HS	46	Adj Pipe Support	1	22.56 lbs.
42510	320.35	HS	92	Adj Pipe Support	1	28.25 lbs.
83380	439.50	HS	965	Support Stand	1	29.00 lbs.
64642	196.25	HS	AR-99	Adj Roller Stand	1	35.00 lbs.
37997	134.45	TP	BTH-9	Ball Transfer Head	1	4.63 lbs.
96372	2729.95	HS	RJ624 f/	920 Groover	1	169.00 lbs.

Cat. Page	Item No.	Resale Price	Disc. Code	Description	Std. Pack	Wt. (lbs.)	Cat. Page	Item No.	Resale Price	Disc. Code	Description	Std. Pack	Wt. (lbs.)
-----------	----------	--------------	------------	-------------	-----------	------------	-----------	----------	--------------	------------	-------------	-----------	------------

Pipe Cutters



3.3 - Heavy Duty Pipe Cutters

32810	128.70	HC	1-A	1/8" - 1 1/4"	1	6.50 lbs.							
32820	147.00	HC	2-A	1/8" - 2"	1	7.88 lbs.							
32830	257.60	HC	3-S	1" - 3"	1	15.20 lbs.					SINGLE WHEEL	1	18.10 lbs.
32840	382.00	HC	4-S	2" - 4"	1	22.12 lbs.						1	18.10 lbs.
32850	560.20	HC	6-S	4" - 6"	1	22.12 lbs.						1	22.12 lbs.
32825	152.95	HC	2-A	1/8" - 2"	1	7.15 lbs.					THREE WHEEL	1	7.15 lbs.
32845	399.30	HC	4-S	2" - 4"	1	17.70 lbs.						1	17.70 lbs.



3.3 - Wide-Roll Pipe Cutter

32895	174.00	HC	202	1/8" - 2"	1	7.62 lbs.							
-------	--------	----	-----	-----------	---	-----------	--	--	--	--	--	--	--



3.3 - 4-Wheel Pipe Cutters

32870	166.15	HC	42-A	3/4" - 2"	1	6.75 lbs.							
-------	--------	----	------	-----------	---	-----------	--	--	--	--	--	--	--

32880	445.10	HC	44-S	2 1/2" - 4"	1	20.00 lbs.							
-------	--------	----	------	-------------	---	------------	--	--	--	--	--	--	--



3.3 - Hinged Pipe Cutters

74227	613.00	HC	424-CI		1	13.60 lbs.							
74685	806.75	HC	466-CI	FOR CAST IRON PIPE	1	28.63 lbs.							
74700	1066.70	HC	468-CI		1	33.06 lbs.							
74710	1324.15	HC	472-CI		1	42.13 lbs.							
73162	613.00	HC	424S		1	13.20 lbs.							
83080	806.75	HC	466S		1	28.13 lbs.							
83085	849.00	HC	466HWS	FOR STEEL PIPE	1	28.50 lbs.							
83145	1066.70	HC	468S		1	33.06 lbs.							
83150	1108.30	HC	468HWS		1	33.50 lbs.							
83165	1324.15	HC	472S		1	42.13 lbs.							
83170	1366.95	HC	472HWS		1	42.25 lbs.							



3.4 - Soil Pipe Cutters/Tools

68650	549.00	HC	206	Cutter	1	18.00 lbs.							
69982	527.50	HC	226	In Place	1	19.00 lbs.							
32900	569.00	HC	246	Cutter	1	26.00 lbs.					1 1/2" - 6"	1	26.00 lbs.
74207	461.00	HC	276	Soil Pipe Cutter	1	25.70 lbs.							
31410	38.25	HC	902	Torque Wrench	1	1.03 lbs.							
14988	38.90	HC	904	Torque Wrench	1	1.00 lbs.							
32905	567.40	HC	228	Assembly Tool	1	22.70 lbs.							
33665	37.50	HP	206	Extension Chain	1	0.60 lbs.							

Cat. Page	Item No.	Resale Price	Disc. Code	Description	Std. Pack	Wt. (lbs.)	Cat. Page	Item No.	Resale Price	Disc. Code	Description	Std. Pack	Wt. (lbs.)
-----------	----------	--------------	------------	-------------	-----------	------------	-----------	----------	--------------	------------	-------------	-----------	------------

Pipe Cutters (Original Product) Model					Catalog No.	Model No.	Catalog No.	Model No.	Standard Pack	Price															Application					
Cutter Wheels (Discount Code "HE")	33220	E-109	1	11.75																									Cast Iron	
	44185	E-1032	6	19.55	√	√																					X	X	Steel Pipe & Ductile Iron	
	44190	E-1032S	6	27.65	√																						X	√	S.S. Pipe	
	33135	E-1962	1	17.40			√	√																			X	√	√	Grey Cast Iron
	33225	E-2632	1	11.75																							X		Cast Iron	
	83140	E-3186	1	32.20																										Steel & Ductile Iron HW
	75557	E-4266	4	26.95																										Heavy Wall Steel
	75572	E-2267	4	19.35																										Cast & Ductile Iron
	33105	F-3	12	10.90	√	√																								Steel & Ductile Iron
	33110	F-3S	6	11.40	√	√																								S.S. Pipe
	33115	F-119	1	9.05	√	√																								Grey Cast Iron
	33125	F-229	6	17.40			√	√																					X	Steel & Ductile Iron
	33130	F-229S	6	19.20			√	√																						S.S. Pipe
	75567	F-366	4	19.75																										Steel Pipe
	33145	F-367	1	19.05																										Steel & Ductile Iron
	33150	F-367-S	1	19.35																										S.S. Pipe
	33155	F-383	1	26.05																										Grey Cast Iron
	33100	F-514	12	8.65	X	X																								Steel & Ductile Iron
	33120	F-515	6	13.85			X	X																						Steel & Ductile Iron
	75562	F-546	4	23.10																										Steel Pipe
63297	AC-1586	1	6.30																										Concrete Pipe	

X Denotes Cutter Wheels furnished with original product √ Denotes alternate Cutter Wheel Sold only in package lots indicated.

Pipe Reamers



3.7 - Pipe Reamers

34955	228.80	HC	2-S	Spiral	1/4" - 2"	1	7.58	lbs.
34945	190.25	HC	2	Straight	1/8" - 2"	1	7.12	lbs.
34950	379.75	HC	3	Straight	3/8" - 3"	1	11.37	lbs.
34960	407.80	HC	254	Spiral	2 1/2" - 4"	1	14.00	lbs.

3.7 - Pipe Reamer Components

35020	144.05	HP	2-S	Reamer Cone		1	1.94	lbs.
35135	300.15	HP	254	Reamer Cone		1	5.65	lbs.
34975	101.25	HP	2	Reamer Cone		1	1.75	lbs.
35090	282.20	HP	3	Reamer Cone		1	4.00	lbs.



3.7 - Pipe Extractors

35595	11.10	HC	80	1/8"		1	0.03	lbs.
35600	11.80	HC	81	1/4"		1	0.07	lbs.
35605	11.90	HC	82	3/8"		1	0.14	lbs.
35610	14.15	HC	83	1/2"		1	0.27	lbs.
35615	17.10	HC	84	3/4"		1	0.46	lbs.
35620	25.15	HC	85	1"	STANDARD PIPE	1	0.80	lbs.
35625	39.75	HC	86	1 1/4"		1	1.25	lbs.
35630	48.65	HC	87	1 1/2"		1	2.12	lbs.
35635	93.65	HC	89	2"		1	4.10	lbs.
35640	52.70	HC	83E	1/2"		1	0.24	lbs.
35645	95.85	HC	84E	3/4"		1	0.46	lbs.
35650	108.15	HC	85E	1"	EXTRA STRONG WALL PIPE	1	0.80	lbs.
35655	109.35	HC	86E	1 1/4"		1	1.17	lbs.
35660	134.40	HC	87E	1 1/2"		1	1.50	lbs.
35665	206.30	HC	89E	2"		1	2.75	lbs.

3.7 - Pipe Extractor Sets

35670	42.95	HC	880	1/8" - 1/2"		1	0.54	lbs.
35675	48.55	HC	881	1/4" - 3/4"	STANDARD PIPE	1	0.98	lbs.
35680	68.70	HC	882	1/4" - 1"		1	1.79	lbs.
35685	78.50	HC	883	1/8" - 1"		1	1.75	lbs.

Cat. Page	Item No.	Resale Price	Disc. Code	Description	Std. Pack	Wt. (lbs.)
-----------	----------	--------------	------------	-------------	-----------	------------

Pipe Taps



3.7 - Pipe Taps - NPT

35815	11.65	HC	E-5112	1/8"	1	0.05 lbs.
35820	13.05	HC	E-5113	1/4"	1	0.12 lbs.
35825	18.40	HC	E-5114	3/8"	1	0.21 lbs.
35830	22.20	HC	E-5115	1/2"	1	0.25 lbs.
35835	31.95	HC	E-5116	3/4"	1	0.50 lbs.
35840	48.20	HC	E-5117	1"	1	0.87 lbs.
35845	67.20	HC	E-5118	1 1/4"	1	1.35 lbs.
35850	90.25	HC	E-5119	1 1/2"	1	2.00 lbs.
35855	133.05	HC	E-5120	2"	1	3.15 lbs.



3.8 - Power Pipe Cutter / Model 258 & 258-XL

50767	3125.00	TC	258	2 1/2" - 8"	1	176.00 lbs.
58227	3245.00	TC	258XL	8" - 12"	1	194.00 lbs.

3.8 - Accessories for Model 258 / XL

66687	379.20	TC	8" - 1/2" HD CW Assy		1	11.20 lbs.
50812	232.85	TC	E-258 8 1/2" HD Whl		1	2.60 lbs.
58222	232.85	TC	E-258-T 8 1/2" TW Only		1	2.81 lbs.
54397	346.55	TC	Transport Cart		1	23.75 lbs.
60002	174.35	TC	258PS Pipe Sup 2 1/2"-12"		1	21.69 lbs.
60007	139.65	TP	258PS Repl. Ball Transfer Set		1	5.50 lbs.
61757	275.20	TC	Pipe Roller for Beveling		1	13.56 lbs.

Model 614 Dry Cut Saw



3.10 - 614 Dry Cut Saw & Blades

71687	821.35	TC	614 Dry Cut	115V 60Hz	1	59.70 lbs.
72862	825.35	TC	614 Dry Cut	230V 60Hz	1	61.70 lbs.
71692	238.50	TS	14"x 80Tx 1" Blade	CARBIDE	1	4.10 lbs.
71697	226.05	TS	12"x 70Tx 1" Blade	TIP	1	2.80 lbs.

Cat. Page	Item No.	Resale Price	Disc. Code	Description	Std. Pack	Wt. (lbs.)
-----------	----------	--------------	------------	-------------	-----------	------------



3.11 - Abrasive Chop Saw CM 1450

10888	236.25	TC	14" 115V 60Hz		1	59.00 lbs.
42956	95.35	TS	Pk of 10 Disc f/Metal		1	15.00 lbs.

Tube Cutting & Prep Tools



3.12 - Copper Cutting & Prep Tools

93492	1516.40	HC	115V Machine 1/2" - 2" w/ Ftg Brushes		1	70.00 lbs.
10973	2275.80	HC	115V 122XL 1/2" - 4" w/ Ftg Brushes		1	94.00 lbs.
14388	1601.70	HC	122-XL 230V		1	94.00 lbs.

3.12 - 122 Copper Cleaning Brushes & Accessories

93717	19.35	HC	1/2"		1	0.22 lbs.
93722	19.60	HC	3/4"		1	0.18 lbs.
93727	20.55	HC	1"		1	0.20 lbs.
93732	23.80	HC	1 1/4"	FITTING	1	0.23 lbs.
93737	27.05	HC	1 1/2"	BRUSHES	1	0.41 lbs.
93742	33.05	HC	2"	(Pkg of 3)	1	0.60 lbs.
12638	40.45	HC	2 1/2"		1	0.45 lbs.
12643	44.25	HC	3" - 4"		1	1.00 lbs.
46105	36.75	HC	OD Deburring Disk		1	1.10 lbs.
93747	16.35	HC	Quick-Change Adaptor		1	0.14 lbs.
93707	89.60	HC	Fitting Brush Stor Kit	ACCESSORIES	1	1.20 lbs.
93712	32.75	HC	Fitting Brush Holder		1	0.71 lbs.

3.12 - Standard Brushes

42245	20.10	HC	E5715	3/8"	6	0.05 lbs.
42250	20.10	HC	E5720	1/2"	6	0.05 lbs.
42255	20.10	HC	E5721	3/4"	6	0.06 lbs.
42260	21.75	HC	E5722	1"	6	0.07 lbs.
42265	21.75	HC	E5723	1" - 1/4"	3	0.08 lbs.
42270	21.75	HC	E5724	1" - 1/2"	3	0.09 lbs.
42275	21.75	HC	E5725	2"	3	0.11 lbs.
42280	32.05	HC	E5726	2" - 1/2"	2	0.15 lbs.
42285	32.05	HC	E5727	3"	2	0.19 lbs.
42290	32.05	HC	E5728	4"	2	0.35 lbs.

Cat. Page	Item No.	Resale Price	Disc. Code	Description	Std. Pack	Wt. (lbs.)
-----------	----------	--------------	------------	-------------	-----------	------------



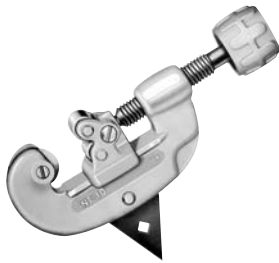
3.13 - Close Quarters Tubing Cutters

40617	21.30	HC	101	1/4" - 1 1/8"	6	0.50 lbs.
32975	13.00	HC	103	1/8" - 5/8"	6	0.22 lbs.
32985	15.20	HC	104	3/16" - 15/16"	6	0.26 lbs.
97787	17.50	HC	117	3/16" - 15/16"	12	0.40 lbs.
86127	26.90	HC	118	1/4"-1 1/8"	12	0.57 lbs.



3.14 - Constant Swing Tubing Cutters w/ XCEL Upgrades

31622	27.70	HC	150	w/ Std Wheel	1/8" - 1-1/8"	6	0.75 lbs.
31627	29.05	HC	150	w/ HD Wheel	Capacity	6	0.75 lbs.
66737	26.95	HC	150L	w/ Std Wheel	1/8" - 1-3/8"	6	0.59 lbs.
66742	28.55	HC	150LS	w/ HD Wheel	Capacity	6	0.65 lbs.
33055	74.50	HC	205	w/ Std Wheel	1/4" - 2-38"	1	1.70 lbs.
33070	75.80	HC	205	w/ HD Wheel	Capacity	1	1.70 lbs.



3.15 - Tubing and Conduit Cutters

32910	27.40	HC	10	1/8" - 1"	6	1.06 lbs.
32915	28.50	HC	10	w/ HD Wheel	6	0.80 lbs.
32920	31.65	HC	15	3/16" - 1-1/8"	6	1.12 lbs.
32925	32.90	HC	15	w/ HD Wheel	6	1.15 lbs.
97212	47.05	HC	15-SI	f/SS 3/16" - 1-1/8"	1	1.50 lbs.
32930	61.45	HC	20	5/8" - 2-1/8"	1	1.56 lbs.
32935	63.05	HC	20	w/ HD Wheel	1	1.56 lbs.
32940	95.10	HC	30	1" - 3-1/8"	1	3.42 lbs.
32950	96.75	HC	30	w/ HD Wheel	1	3.42 lbs.

Cat. Page	Item No.	Resale Price	Disc. Code	Description	Std. Pack	Wt. (lbs.)
-----------	----------	--------------	------------	-------------	-----------	------------



3.15 - Quick Acting Tubing Cutters w/ XCEL Upgrade

31632	46.40	HC	151	1/4" - 1 5/8"	6	1.27 lbs.
31637	53.45	HC	151P		6	0.87 lbs.
30012	53.00	HC	151	PVC	1	0.87 lbs.
31642	74.80	HC	152	1/4" - 2 5/8"	1	1.81 lbs.
31647	83.75	HC	152P		1	1.75 lbs.
34572	82.20	HC	152-P	w/ PVC Wheel	1	1.75 lbs.
36597	98.50	HC	153	1 1/4"- 3 1/2"	1	1.87 lbs.
36592	103.00	HC	153P		1	1.81 lbs.
31652	114.45	HC	154	1 7/8"- 4 1/2"	1	3.37 lbs.
31657	121.05	HC	154P		1	3.31 lbs.
31662	143.45	HC	156	4"- 6 5/8"	1	4.69 lbs.
31667	152.65	HC	156P		1	4.63 lbs.



3.17 - Internal Tubing Cutters

33005	214.20	HC	106	2"-3" Nom	1	2.63 lbs.
83240	138.20	HC	108	1 1/4"-2" OD	1	1.91 lbs.
83290	162.70	HC	109	2 1/2"-4" OD	1	4.50 lbs.
83295	163.90	HC	109-P	Whl f/Plas.	1	4.50 lbs.
32970	161.15	HC	102	1/2"-3/4" Nom	1	1.21 lbs.

INTERNAL CUTTER



3.17 - Blade Style Tubing Cutters

12831	133.70	HC	1493	1/8"-2 3/8"	1	2.69 lbs.
23493	31.45	HC	PC-1375	1/8" -1-3/8" O.D.	6	2.00 lbs.
23498	57.15	HC	RC-1625	Ratcheting Cutter (NEW)	6	1.00 lbs.
23488	17.30	HS	PC-1250	Cutter (NEW)	6	0.50 lbs.
92170	35.90	HP	Blade For 138		1	0.23 lbs.
22086	46.20	HP	Blade For 1493		1	0.50 lbs.
25588	14.15	HP	Blade for PC-1375	REPLACEMENT	1	0.25 lbs.
26803	9.35	HP	Blade for PC-1250	BLADE	1	0.20 lbs.
27858	15.60	HP	BLADE for RC-1625		1	1.00 lbs.

Cat. Page	Item No.	Resale Price	Disc. Code	Description	Std. Pack	Wt. (lbs.)	Cat. Page	Item No.	Resale Price	Disc. Code	Description	Std. Pack	Wt. (lbs.)
-----------	----------	--------------	------------	-------------	-----------	------------	-----------	----------	--------------	------------	-------------	-----------	------------

	Tubing Cutters (Original Product)																		Application															
	Catalog No.	Model No.	Standard Pack	Price	10	15	15-SI	20	30	30P	40	101/118	103/104	117	150	106	108	109		109P	151	151-P	152	152-P	153	153-P	154	154-P	156	156P	205			
Cutter Wheels (Discount Code "HE")	33210	E-702	1	10.35																												✓	✓	Heavy Wall PVC, ABS
	33165	E-1240	12	7.00	✓	✓		✓																										Steel-SS
	33200	E-1740	1	15.50								✓	✓	✓	✓								✓		✓		✓							Soft Flexible Plastic
	74720	E-2155	1	11.80																			X		X		X							PE, PB, PP Std. & Heavy Wall
	74730	E-2156	1	14.40						X																			X		✓		PE, PB, PP Std. & Heavy Wall	
	74735	E-2157	1	16.80																									✓		X			PE, PB, PP Std. & Heavy Wall
	33175	E-2191	6	9.65					✓	✓																		✓	✓					Steel Tubing
	33170	E-2558	6	7.40					X	X						X	X	X									X	X						Aluminum & Copper
	83235	E-2880	1	21.65																											✓			PE, PB, PP Std. & Heavy Wall
	33205	E-2990	1	6.25																														Steel, Aluminum & Copper
	33185	E-3469	12	6.00								X	X	X	X								X		X		X						X	Aluminum & Copper
	34695	E-3495	1	10.70																			✓		✓		✓						✓	Aluminum
	33190	E-4546	6	7.55											✓								✓		✓		✓						✓	Steel-SS
	33195	E-5272	6	10.35																				✓		✓								PVC, ABS, Std. Wall
	33180	E-5299	6	10.30						✓						✓	✓		X									✓	✓					PVC, ABS, Std. Wall
	33160	F-158	12	6.00	X	X		X																										Aluminum & Copper
	88260	E-10279	1	18.60																									✓	✓				
96397	E-1525	1	10.75		X																												Stainless Steel	

X Denotes Cutter Wheels furnished with original product √ Denotes alternate Cutter Wheel



Tubing Cutter Wheels - Blister Packed

41312	11.60	HE	F-158 Pack of 2	6	0.03 lbs.
41317	11.50	HE	E-3469 Pack of 2	6	0.09 lbs.

Cutter Wheels w/XCEL Quick Change Pin

21188	15.30	HE	E-3469 Pack of 2 w/QC Pin f/151,152,153	1	0.20 lbs.
-------	-------	----	---	---	-----------



3.18 - Copper Cleaning Brushes

34142	17.85	HC	4100 1/2"-3/4" Nom	10	0.19 lbs.
34147	11.80	HC	Brush Set f/4100	1	0.09 lbs.

3.18 - EMT Sizing Tool for Conduit

36005	29.75	HC	575 1/2" and 3/4"	1	1.15 lbs.
-------	-------	----	-------------------	---	-----------



3.19 - Inner-Outer Reamer

34965	21.00	HC	127 Inner-Outer Reamer	1	0.31 lbs.
-------	-------	----	------------------------	---	-----------



3.19 - Deburring & Reaming Tool

95772	73.95	HC	227 Heavy Duty	1	2.00 lbs.
-------	-------	----	----------------	---	-----------



3.19 - Deburring Tool Plastic Pipe

35155	19.85	HC	72 1/2" - 1 1/2"	6	0.23 lbs.
64962	25.90	HC	73 1 1/2" - 3"	1	0.34 lbs.
64967	31.35	HC	74 4"	6	0.50 lbs.

Cat. Page	Item No.	Resale Price	Disc. Code	Description	Std. Pack	Wt. (lbs.)
-----------	----------	--------------	------------	-------------	-----------	------------

Manual Pipe Threaders



4.3 - Exposed Ratchet Threader Sets - OOR

36345	240.85	TC	1/2" - 1"		1	9.43 lbs.
36355	305.50	TC	3/8" - 1"	NPT	1	11.40 lbs.
36375	432.60	TC	1/8" - 1"		1	13.36 lbs.
<hr/>						
65175	259.90	TC	1/2" - 1"	BSPT	1	10.10 lbs.



4.3 - Exposed Ratchet Threader Sets - 12R

36475	709.65	TC	1/2" - 2"		1	35.12 lbs.
36480	468.15	TC	1/2" - 1 1/4"	NPT	1	21.75 lbs.
36505	956.00	TC	1/8" - 2"		1	45.00 lbs.
<hr/>						
65255	707.15	TC	1/2" - 2"		1	34.50 lbs.
65285	1030.10	TC	1/8" - 2"	BSPT	1	45.00 lbs.
<hr/>						
36510	706.75	TC	1/2" - 2"	NPSM	1	34.50 lbs.



4.3 - Enclosed Ratchet Threader Sets - 11R

36390	397.30	TC	1/2" - 1 1/4"	NPT	1	15.90 lbs.
-------	--------	----	---------------	-----	---	------------



4.3 - Ratchet and Handle Only

38540	66.85	TC	00R, 00RB		1	3.52 lbs.
38550	81.35	TC	111R		1	4.54 lbs.
37777	105.80	TC	11-R		1	5.73 lbs.

Cat. Page	Item No.	Resale Price	Disc. Code	Description	Std. Pack	Wt. (lbs.)
-----------	----------	--------------	------------	-------------	-----------	------------

30118	70.95	TC	12-R		1	5.62 lbs.
-------	-------	----	------	--	---	-----------



4.3 - 3-Way NPT Alloy

36540	280.05	TC	31-A RH		1	9.79 lbs.
36555	330.90	TC	31-A HS f/SS	NPT	1	9.00 lbs.
36550	330.90	TC	31-A RH HS		1	9.79 lbs.
<hr/>						
65320	330.90	TC	31-A RH	BSPT	1	9.79 lbs.
<hr/>						
36560	330.90	TC	31-A RH	NPSM	1	9.70 lbs.

Manual Bolt Threaders



4.4 - OORB Ratchet Bolt Threaders

36680	877.00	TC	1/4" - 1" 10 Heads	UNC	1	19.60 lbs.
36690	877.00	TC	1/4" - 1" 10 Heads	UNF	1	19.60 lbs.

4.4 - Cases for Threaders

38605	78.65	TC	For 00R & 0R		1	5.38 lbs.
38610	133.80	TC	For 00RB		1	7.13 lbs.
38615	130.05	TC	For 111R		1	13.37 lbs.
38620	131.05	TC	For 11R	Metal	1	13.13 lbs.
38625	132.75	TC	For 12R (Holds 6 DH)		1	17.00 lbs.
97375	149.25	TC	For 12R (Holds 9 DH)		1	16.37 lbs.
<hr/>						
21218	105.90	TC	11-R / 12-R	Plastic	1	10.00 lbs.

PIPE/BOLT DIE HEADS COMPLETE (Discount Code "TC")

North American Standards			Catalog Nos.								
			Nominal Pipe Size								
Model No. 00R			1/8"	1/4"	3/8"	1/2"	3/4"	1"	1 1/4"	1 1/2"	2"
(NPT)											
Alloy	RH		36875 69.35	36880 69.35	36885 69.35	36890 69.10	36895 69.10	36900 74.45			
High-Speed	RH		36935 76.25	36940 76.25	36945 76.25	36950 76.25	36955 76.25	36960 76.25			
High-Speed for Stainless Steel	RH		36965 76.25	36970 76.25	36975 76.25	36980 76.25	36985 76.25	36990 76.25			
(NPSM)											
Alloy	RH		36995 71.95	37000 71.95	37005 71.95	37010 71.95	37015 71.95	37020 71.95			
Model No. 12-R											
(NPT)											
Alloy	RH		37375 90.50	37380 90.50	37385 90.50	37390 97.10	37395 97.10	37400 123.60	37405 123.60	37410 136.25	37415 136.25
Alloy	LH					37435 97.10	37440 97.10	37445 123.60	37450 123.60	37455 136.25	37460 136.25
High-Speed	RH		37465 96.35	37470 96.35	37475 96.35	37480 103.10	37485 103.10	37490 129.70	37495 129.70	37500 152.70	37505 152.70
High-Speed for Stainless Steel	RH		37510 96.35	37515 96.35	37520 96.35	37525 103.10	37530 103.10	37535 129.70	37540 129.70	37545 152.70	37550 152.70
High-Speed for PVC	RH			83450 96.35	83455 96.35	83460 103.10	83465 103.10	83470 129.70	83475 129.70	83480 152.70	83485 152.70
High-Speed for Plastic Coat	RH					51857 123.60	51862 123.60	51867 149.50	51872 149.50	51877 175.45	51882 175.45
Alloy for IMC	RH					92690 97.10	92695 97.10	92700 123.60	92705 123.60	92710 136.25	92715 136.25
(NPSM)											
Alloy	RH		37555 90.50	37560 90.50	37565 90.50	37570 97.10	37575 97.10	37580 123.60	37585 123.60	37590 136.25	37595 136.25

PIPE/BOLT DIE HEADS COMPLETE (Discount Code "TC")

North American Standards		Catalog Nos.									
		Nominal Pipe Size									
Model No. 11-R		1/8"	1/4"	3/8"	1/2"	3/4"	1"	1 1/4"	1 1/2"	2"	
(NPT)											
Alloy	RH	37025 102.75	37030 102.75	37035 102.75	37040 102.75	37045 102.75	37050 112.50	37055 112.50	20923 124.10	20943 124.10	
High-Speed	RH	37095 107.15	37100 107.15	37105 107.15	37110 107.15	37115 107.15	37120 117.40	37125 117.40	20928 138.10	20948 138.10	
High-Speed for Stainless Steel	RH	37130 107.15	37135 107.15	37140 107.15	37145 107.15	37150 107.15	37155 117.40	37160 117.40	20933 138.10	20953 138.10	
(NPSM)											
Alloy	RH	37165 102.75	37170 102.75	37175 102.75	37180 102.75	37185 102.75	37190 112.50	37195 112.50	20938 124.10	20958 124.10	
Model No. 00-RB		1/4"	5/16"	3/8"	7/16"	1/2"	9/16"	5/8"	3/4"	7/8"	1"
(UNC)		20 TPI	18 TPI	16 TPI	14 TPI	13 TPI	12 TPI	11 TPI	10 TPI	9 TPI	8 TPI
Alloy	RH	37610 54.80	37615 54.80	37620 54.80	37625 54.80	37630 70.55	37635 70.55	37640 70.55	37645 105.70	37650 105.70	37655 123.55
Alloy	LH				37675 67.05				37695 146.30		
(UNF)		28 TPI	24 TPI	24 TPI	20 TPI	20 TPI	18 TPI	18 TPI	16 TPI	16 TPI	14 TPI
Alloy	RH	37710 54.80	37715 54.80	37720 54.80	37725 54.80	37730 70.55	37735 70.55	37740 70.55	37745 105.70		37755 123.55
Alloy	LH					37780 124.65	37785 124.65	37790 124.65	37795 127.05	37800 127.05	37805 127.05

PIPE/BOLT DIE HEADS COMPLETE (Discount Code "TC")

British and International Standards			Catalog Nos.								
			Nominal Pipe Size								
Model No. 00-R			1/8"	1/4"	3/8"	1/2"	3/4"	1"	1 1/4"	1 1/2"	2"
(BSPT)											
Alloy	RH	65705 83.10	65710 83.10	65715 83.10	65720 83.10	65725 83.10	65730 83.10				
High-Speed	RH	65765 90.45	65770 90.45	65775 90.45	65780 90.45	65785 90.45	65790 90.45				
Model No. 12-R											
(BSPT)											
Alloy	RH	65950 90.50	65955 90.50	65960 90.50	65965 97.10	65970 97.10	65975 123.60	65980 123.60	65985 136.25	65990 136.25	
(BSPT)											
High-Speed	RH				66040 103.10	66045 103.10	66050 129.70	66055 129.70	66060 152.70	66065 152.70	
(BSPP)											
Alloy	RH		49932 107.40	49937 107.40	49942 112.20	49947 112.20	49952 149.35		49962 204.60	49967 204.60	
Model No. 11-R											
(BSPT)											
High-Speed	RH			65620 107.15	65625 107.15	65630 107.15	65635 123.50	65640 138.10	20903 138.10	20913 144.85	
(BSPP)											
Alloy	RH			65680 107.15	65685 107.15	65690 107.15	65695 123.50	65700 138.10	20908 138.10	20918 144.85	
Model No. 11-R			Catalog Nos.								
			Nominal Pipe Size								
Model No. 11-R			16 mm	20 mm	25 mm	32 mm	40 mm				
(ISO)											
Alloy	RH	75000 118.55	75005 124.05	75010 124.05	75015 130.30	75020 137.35					

PIPE DIES FOR DROP HEAD THREADERS (Discount Code "TE")

Pipe Dies for OO-R, 111-R, 12-R, O-R, 11-R Ratchet Threaders or 30A, 31A 3-Way Pipe Threaders

Die Material or Type	Catalog Numbers									
	Nominal Pipe Size-Threads Per Inch									
	1/8"-28	1/4"-19	3/8"-19	1/2"-14	3/4"-14	1"-11 1/2	1 1/4"-11	1 1/2"-11	2"-11	
(BSPT) British Standard Pipe Taper										
Alloy RH	66110 51.15	66115 51.15	66120 51.15	66125 51.15	66130 51.15	66135 60.25	66140 60.25	66145 67.30	66150 67.30	
High-Speed RH	66310 56.55	66315 56.55	66320 56.55	66325 56.55	66330 56.55	66335 67.30	66340 67.30	66345 83.75	66350 83.75	
High-Speed LH	66405 59.60	66410 59.60	66415 59.60	66420 59.60	66425 59.60	66430 70.95	66435 70.95		66445 88.55	
(BSPP) British Standard Pipe Parallel	1/8"-28	1/4"-19	3/8"-19	1/2"-14	3/4"-14	1"-11 1/2	1 1/4"-11	1 1/2"-11	2"-11	
Alloy RH	66190 71.90	66195 71.90	66200 71.90	66205 71.90	66210 71.90	66215 88.50	66220 102.00	66225 102.00	66230 102.00	
(ISO) International Standards Organization	16-1.5	20-1.5	25-1.5	32-1.5	40-1.5					
Alloy RH		85830 83.00	76305 83.00	85835 99.50	76315 102.00					
(BEC) British Electrical Conduit	1/2"-18	5/8"-18	3/4"-16	1"-16	1 1/4"-16	1 1/2"-14				
Alloy RH	66155 98.60	66160 98.60	66165 98.60	66170 98.60	66175 98.60					

PIPE DIES FOR DROP HEAD THREADERS (Discount Code "TE")

Pipe Dies for OO-R, 111-R, 12-R, O-R, 11-R Ratchet Threaders or 30A, 31A 3-Way Pipe Threaders

Die Material or Type		Catalog Numbers								
		Nominal Pipe Size-Threads Per Inch								
(NPT) National Pipe Taper		$\frac{1}{8}$ "-27	$\frac{1}{4}$ "-18	$\frac{3}{8}$ "-18	$\frac{1}{2}$ "-14	$\frac{3}{4}$ "-14	1"-11 $\frac{1}{2}$	1 $\frac{1}{4}$ "-11 $\frac{1}{2}$	1 $\frac{1}{2}$ "-11 $\frac{1}{2}$	2"-11 $\frac{1}{2}$
Alloy	RH	37810 46.75	37815 46.75	37820 46.75	37825 46.75	37830 46.75	37835 55.45	37840 55.45	37845 61.65	37850 61.65
High-Speed	RH	37855 51.80	37860 51.80	37865 51.80	37870 51.80	37875 51.80	37880 61.50	37885 61.50	37890 76.25	37895 76.25
High-Speed	LH		38050 71.90	38055 71.90	38060 106.50	38065 106.50	38070 106.50	38075 106.50	38080 106.50	38085 106.50
H.S. For Stainless Steel	RH	37900 56.55	37905 56.55	37910 56.55	37915 66.00	37920 66.00	37925 66.00	37930 81.95	37935 81.95	37940 81.95
H.S. For PVC	RH			70685 59.60	70690 59.60	70695 59.60	70700 69.50	70705 70.95	70710 88.55	70715 88.55
H.S. Reversible	RH				49707 72.90	49712 72.90	49717 86.75	49722 86.75	49727 108.40	
(NPSM) National Pipe Straight Mechanical		$\frac{1}{8}$ "-27	$\frac{1}{4}$ "-18	$\frac{3}{8}$ "-18	$\frac{1}{2}$ "-14	$\frac{3}{4}$ "-14	1"-11 $\frac{1}{2}$	1 $\frac{1}{4}$ "-11 $\frac{1}{2}$	1 $\frac{1}{2}$ "-11 $\frac{1}{2}$	2"-11 $\frac{1}{2}$
Alloy	RH	37945 51.15	37950 51.15	37955 51.15	37960 51.15	37965 52.20	37970 58.90	37975 60.25	37980 66.00	37985 66.00

Bolt Threaders Button Dies for OO-RB Ratchet Bolt Threaders Or 31B, 33B, 35B, 37B 3-Way Bolt Threaders

Die Material or Type		Catalog Numbers									
		Rod Diameter - Threads Per Inch									
(UNC) Unified National Course		$\frac{1}{4}$ "-20	$\frac{5}{16}$ "-18	$\frac{3}{8}$ "-16	$\frac{7}{16}$ "-14	$\frac{1}{2}$ "-13	$\frac{9}{16}$ "-12	$\frac{5}{8}$ "-11	$\frac{3}{4}$ "-10	$\frac{7}{8}$ "-9	1"-8
Alloy	RH	38335 29.15	38340 29.15	38345 32.85	38350 32.85	38355 49.95	38360 49.95	38365 51.45	38370 89.45	38375 89.45	38380 98.65
(UNF) Unified National Fine		$\frac{1}{4}$ "-28	$\frac{5}{16}$ "-24	$\frac{3}{8}$ "-24	$\frac{7}{16}$ "-20	$\frac{1}{2}$ "-20	$\frac{9}{16}$ "-18	$\frac{5}{8}$ "-18	$\frac{3}{4}$ "-16	$\frac{7}{8}$ "-14	1"-12
Alloy	RH	38385 29.15	38390 29.15	38395 32.85	38400 32.85	38405 49.95	38410 49.95	38415 51.45	38420 89.45	38425 89.45	15317 98.65

Cat. Page	Item No.	Resale Price	Disc. Code	Description	Std. Pack	Wt. (lbs.)
-----------	----------	--------------	------------	-------------	-----------	------------

Power Threading/Geared Threaders



4.8 - 65R Threaders (Inc. 1 set H.S. Dies)

36565	839.35	TC	65RC NPT 1" - 2"		1	23.87 lbs.
36570	1000.80	TC	65RTC NPT 1" - 2"		1	25.31 lbs.
65340	761.30	TC	65RC BSPT		1	24.80 lbs.
65345	1000.80	TC	65RTC BSPT 1" - 2"		1	25.50 lbs.
96720	121.75	TC	65R Carrying Case		1	8.13 lbs.

4.8 - Pipe Dies For 65RC & 65RTC Ratchet Threaders

38100	83.95	TE	1 - 2" High Speed		1	0.45 lbs.
38105	100.35	TE	1 - 2" H.S. f/SS	NPT	1	0.45 lbs.
38110	91.20	TE	1 - 2" f/ Cast Iron		1	0.45 lbs.
66450	88.65	TE	1" - 2" High Speed	BSPT	1	0.45 lbs.

4.8 - NPT Pipe Dies for 4PJ Geared Pipe Threaders

38220	350.55	TE	2 1/2" - 8"		1	1.87 lbs.
38225	350.55	TE	3" - 8"	HIGH SPEED RH	1	1.63 lbs.
38230	350.55	TE	3 1/2" - 8"		1	1.50 lbs.
38235	350.55	TE	4" - 8"		1	1.31 lbs.
38240	350.55	TE	2 1/2" - 8"		1	1.88 lbs.
38245	350.55	TE	3" - 8"	CAST IRON	1	1.67 lbs.
38255	350.55	TE	4" - 8"	HIGH SPEED	1	1.31 lbs.

4.8 - NPSM Pipe Dies for 4PJ Geared Pipe Threaders

46732	350.55	TE	2 1/2" - 8"		1	1.84 lbs.
46737	350.55	TE	3" - 8"		1	1.69 lbs.
46742	350.55	TE	3 1/2" - 8"		1	1.50 lbs.
46747	350.55	TE	4" - 8"		1	1.31 lbs.



4.10 - Geared Threaders

36620	2335.10	TC	141 w/ 2 1/2" - 4"	NPT	1	93.00 lbs.
36630	3713.50	TC	161 w/ 4" - 6"	HS DIES	1	140.00 lbs.
65380	2330.65	TC	141 2 - 1/2" - 4"	BSPT HS DIES	1	93.00 lbs.
39380	170.45	TC	Ratchet & Handle		1	9.63 lbs.
96725	196.85	TC	Metal Carrying Case For 141		1	19.87 lbs.

Cat. Page	Item No.	Resale Price	Disc. Code	Description	Std. Pack	Wt. (lbs.)
-----------	----------	--------------	------------	-------------	-----------	------------

41620	15.60	TP	1 Lb. Gear Head Grease		1	1.21 lbs.
-------	-------	----	------------------------	--	---	-----------

4.10 - Accessories for 141, 161 Geared Threaders

61122	461.85	TC	840A		1	35.00 lbs.
19366	41.50	TC	758 Loop		1	1.32 lbs.
40005	262.45	TC	346 Sup Arms		1	10.50 lbs.
42405	126.65	TC	844 Drive Bar		1	5.75 lbs.
42415	145.85	TC	768 Drive Link Assy		1	2.41 lbs.
96725	196.85	TC	Metal Carrying Case For 141		1	19.87 lbs.
39380	170.45	TC	Ratchet & Handle		1	9.63 lbs.
96720	121.75	TC	65R Carrying Case		1	8.13 lbs.

4.10 - Pipe Dies for 141 Geared Pipe Threaders

38120	317.60	TE	High Speed		1	2.55 lbs.
70640	317.60	TE	H.S. f/ S.S.	NPT	1	2.55 lbs.
38125	350.55	TE	H.S. Die Cast Iron	RH	1	2.55 lbs.
38130	323.75	TE	H.S. f/ PVC		1	2.55 lbs.
38140	630.75	TE	H.S. 37 1/2° Bevel		1	2.55 lbs.
66625	350.55	TE	H.S. 2 1/2" - 4"	BSPT	1	2.55 lbs.
70645	360.60	TE	H.S. 2 1/2" - 4"	RH	1	2.55 lbs.

4.11 - Pipe Dies for 161 Geared Pipe Threaders

38155	471.45	TE	High Speed	NPT	1	4.38 lbs.
70655	471.45	TE	H.S. f/ S.S.	RH	1	4.38 lbs.

4.11 - Thread Sealant

84282	5.45	TS	1/2 Pint w/ Brush In Can		24	0.95 lbs.
84287	8.55	TS	1 Pint w/ Brush in Can	GRAY W/O	24	2.04 lbs.
84292	13.60	TS	1 Quart w/Brush In Can	TEFLON	12	3.50 lbs.
84332	8.15	TS	1/2 Pint w/ Brush In Can	WHITE	24	0.94 lbs.
84337	12.55	TS	1 Pint w/ Brush In Can	W/TEFLON	24	2.00 lbs.



4.12 - Thread Cutting Oil

41565	11.05	TS	1 Qt		12	2.33 lbs.
70835	21.00	TS	1 Gal		6	8.33 lbs.
41575	99.90	TS	5 Gal	NU-CLEAR	1	42.50 lbs.
41585	731.30	TS	55 Gal		1	437.00 lbs.
41590	9.75	TS	1 Qt		12	2.08 lbs.
70830	19.30	TS	1 Gal		6	8.33 lbs.
41600	81.70	TS	5 Gal	DARK	1	36.00 lbs.
41610	616.45	TS	55 Gal		1	437.00 lbs.
74012	28.35	TS	1 Gal		6	9.30 lbs.
74047	128.75	TS	5 Gal	EXTREME PERFORMANCE	1	41.60 lbs.
76767	1210.25	TS	55 Gal		1	437.00 lbs.

Cat. Page	Item No.	Resale Price	Disc. Code	Description	Std. Pack	Wt. (lbs.)
-----------	----------	--------------	------------	-------------	-----------	------------



4.12 - Aerosol Threading Oil★

22088	12.65	TS	Aerosol Threading Oil	16oz.	12	1.33 lbs.
-------	-------	----	-----------------------	-------	----	-----------



4.12 - No. 418 / 402 Oiler

10883	280.80	TC	418 All Weather Oiler		1	17.30 lbs.
72342	170.15	TC	402 Utility Oiler		1	4.85 lbs.
72327	164.00	TP	#4 w/ Hose & Ftgs	HAND	1	2.00 lbs.
72332	134.50	TP	#4 Pump Gun Only	OPERATED	1	2.00 lbs.

Power Threading/Power Drives



4.13 - 600 Power Drive

36912	1273.60	TC	1/2" - 1-1/4" NPT 115V Complete		1	35.94 lbs.
36932	1288.45	TC	1/2" - 1-1/4" NPT 220V Export		1	34.94 lbs.
36902	965.05	TC	NPT 115V Only		1	26.00 lbs.

Includes Support Arm and Carrying Case.

4.13 - 600 P. D. Accessories

10883	280.80	TC	418 All Weather Oiler		1	17.30 lbs.
34497	77.00	TC	601 Support Arm		1	3.00 lbs.
20826	135.70	TC	Carrying Case		1	12.37 lbs.
41620	15.60	TP	1 Lb. Gear Head Grease		1	1.21 lbs.

Cat. Page	Item No.	Resale Price	Disc. Code	Description	Std. Pack	Wt. (lbs.)
-----------	----------	--------------	------------	-------------	-----------	------------



4.14 - 690 Power Drive

16013	1795.75	TC	1/2" - 2" NPT 115V Complete		1	55.00 lbs.
16718	1794.90	TC	1/2" - 2" NPT 220V Export Complete		1	55.00 lbs.
16708	1283.20	TC	115V Only		1	39.00 lbs.

Includes Support Arm and Carrying Case.

4.14 - 690 P. D. Accessories

10883	280.80	TC	418 All Weather Oiler		1	17.30 lbs.
43292	90.35	TC	691 Support Arm		1	5.00 lbs.
39187	21.70		Die Head Adapter		1	1.00 lbs.




4.15 - 700 Power Drive

41935	1483.20	TC	700 115V		1	31.68 lbs.
41940	1485.35	TC	700 230V		1	31.68 lbs.

4.15 - 700 P.D. Accessories

42600	149.10	TC	770 00R, 00RB		1	3.00 lbs.
42605	235.85	TC	771 0R		1	3.94 lbs.
42610	108.50	TC	772 11R	ADAPTERS	1	3.50 lbs.
42615	162.65	TC	773 111R		1	2.58 lbs.
42620	104.20	TC	774 Square Drive		1	4.68 lbs.
42625	188.90	TC	775 Support Arm		1	11.50 lbs.
42950	153.55	TC	B-171-X Metal Case		1	29.00 lbs.
10883	280.80	TC	418 All Weather Oiler		1	17.30 lbs.
41620	15.60	TP	1 Lb. Gear Head Grease		1	1.21 lbs.

Cat. Page	Item No.	Resale Price	Disc. Code	Description	Std. Pack	Wt. (lbs.)
						
4.16 - 300 Power Drive Complete						
	15682	4264.00	TC	115V 38 RPM NPT	1	212.00 lbs.
	15722	4285.00	TC	115V 57 RPM NPT	1	212.00 lbs.

Cat. Page	Item No.	Resale Price	Disc. Code	Description	Std. Pack	Wt. (lbs.)
4.16 - 300 Power Drive Only						
	41855	2515.05	TC	115V Mach Only	1	96.00 lbs.
	41860	2521.10	TC	230V Mach Only	1	94.00 lbs.
	75435	2521.10	TC	230V Export	1	104.00 lbs.
	75075	2602.65	TC	115V Mach Only	1	100.00 lbs.

Cat. Page	Item No.	Resale Price	Disc. Code	Description	Std. Pack	Wt. (lbs.)
4.17 - 300 P.D. Accessories						
	42360	348.50	TC	1206 Stand	1	31.00 lbs.
	42575	166.90	TC	32 Transporter	1	14.25 lbs.
	68815	350.70	TC	311 Carriage w/312 Lever	1	16.00 lbs.
	42385	81.95	TC	312 Carriage Fd Lever Kit	1	4.03 lbs.
	10883	280.80	TC	418 All Weather Oiler	1	17.30 lbs.
	42365	192.60	TC	341 Reamer Assembly	1	6.62 lbs.
	42370	203.95	TC	360 Pipe Cutter	1	8.50 lbs.
	97065	384.20	TC	811A DH RH	1	11.75 lbs.
	97075	492.25	TC	815A Self-Opn DH RH	1	12.87 lbs.
	51005	388.25	TC	819 Complete 1/2"-2"	1	10.62 lbs.
	97345	856.15	TC	304 Retrofit Kit 38RPM	1	37.75 lbs.
	97350	843.65	TC	304 Retrofit Kit 57RPM	1	35.56 lbs.
	46660	116.90	TP	E-863 LH/RH Reamer Cone	1	0.84 lbs.
	41620	15.60	TP	1 Lb. Gear Head Grease	1	1.21 lbs.
	36662	219.70	TP	301A Foot Switch	1	7.37 lbs.
	22638	111.25	TC	1452 Tool Tray	1	7.00 lbs.
	97365	125.75	TP	Jaw Insert Set f/Plas. Coated Pipe	1	0.19 lbs.



Cat. Page	Item No.	Resale Price	Disc. Code	Description	Std. Pack	Wt. (lbs.)
4.18 - 535A Automatic						
	91142	5960.70	TC	535A Machine Only	1	341.00 lbs.
	84097	6707.40	TC	1/8"-2" w/ 811 DH NPT	1	358.00 lbs.
	91322	7058.35	TC	1/2"-2" w/ 816/817 DH NPT	1	370.00 lbs.

* Does Not include Thread Cutting Oil.

Cat. Page	Item No.	Resale Price	Disc. Code	Description	Std. Pack	Wt. (lbs.)
4.19 - 535A Automatic Accessories						
	42365	192.60	TC	341 Reamer Assembly	1	6.62 lbs.
	42390	323.20	TC	820 Wheel-Type Cutter	1	8.45 lbs.
	92457	402.75	TC	100A Leg & Tray	1	55.00 lbs.
	92462	725.20	TC	150A Wheel & Tray	1	101.00 lbs.
	92467	1059.50	TC	200A Wheel & Cab	1	107.00 lbs.
	51005	388.25	TC	819 Complete 1/2"-2"	1	10.62 lbs.
	41620	15.60	TP	1 Lb. Gear Head Grease	1	1.21 lbs.

Cat. Page	Item No.	Resale Price	Disc. Code	Description	Std. Pack	Wt. (lbs.)
	35867	100.40	TC	839 Adaptor Kit f/ 819	1	6.00 lbs.
	42485	170.15	TC	4U Heads	1	8.48 lbs.
	42490	200.00	TC	6U Heads	1	12.60 lbs.
	97065	384.20	TC	811A DH RH	1	11.75 lbs.
	97075	492.25	TC	815A Self-Opn DH RH	1	12.87 lbs.
	23282	452.45	TC	842 Quick Open LH	1	11.87 lbs.
	97070	384.20	TC	811A 1/8" - 2"	1	11.75 lbs.
	97080	493.10	TC	815A 1/8" - 2"	1	12.56 lbs.
	97045	346.45	TC	531 1/4" - 1" Bolt Die Head	1	7.87 lbs.
	97050	346.45	TC	532 1 1/4"-2"	1	9.25 lbs.
	84537	514.20	TC	816 Semi-Auto 1/8" -3/4"	1	13.00 lbs.
	84532	514.20	TC	817 Semi-Auto 1" - 2"	1	13.00 lbs.
	35877	852.45	TC	241 Carriage Mount Kit f/ 141	1	15.69 lbs.
	97882	547.60	TC	535A Mounting Kit for 141 Geared Threader	1	12.00 lbs.
	12138	126.15	TC	Left Hand Threading Kit	1	3.00 lbs.

Power Threading/Model 535



Cat. Page	Item No.	Resale Price	Disc. Code	Description	Std. Pack	Wt. (lbs.)
4.20 - 535 Threading Machines*						
	93287	6214.25	TC	1-2" NPT 36RPM Complete	1	286.00 lbs.
	96497	5552.50	TC	Machine Only 36RPM	115V	267.00 lbs.
	96502	6160.70	TC	1-2" NPT 54RPM Complete	25-60 Hz	290.00 lbs.
	96507	6339.35	TC	1/2-2" NPT 36RPM Complete	230V	293.00 lbs.

* Complete Includes Power Drive, Carriage, Reamer, Cutter, Diehead, 1/2-3/4" & 1-2" Dies.



Cat. Page	Item No.	Resale Price	Disc. Code	Description	Std. Pack	Wt. (lbs.)
4.21 - 535 Stands						
	92457	402.75	TC	100A Leg & Tray	1	55.00 lbs.
	92462	725.20	TC	150A Wheel & Tray	UNIVERSAL	101.00 lbs.
	92467	1059.50	TC	200A Wheel & Cab	1	107.00 lbs.
	22563	420.95	TC	Metal Cabinet f/ 200A Stand	1	40.00 lbs.
	58007	72.05	TC	Adaptor Kit f/ 535	1	17.00 lbs.

Cat. Page	Item No.	Resale Price	Disc. Code	Description	Std. Pack	Wt. (lbs.)
4.21 - 535 Accessories						
	42365	192.60	TC	341 Reamer Assembly	1	6.62 lbs.
	42390	323.20	TC	820 Wheel-Type Cutter	1	8.45 lbs.
	42415	145.85	TC	768 Drive Link Assy	1	2.41 lbs.
	42405	126.65	TC	844 Drive Bar	1	5.75 lbs.
	51005	388.25	TC	819 Complete 1/2"-2"	1	10.62 lbs.
	84537	514.20	TC	816 Semi-Auto 1/8" -3/4"	1	13.00 lbs.
	84532	514.20	TC	817 Semi-Auto 1" - 2"	1	13.00 lbs.
	41620	15.60	TP	1 Lb. Gear Head Grease	1	1.21 lbs.
	96517	435.55	TC	535M LH Threading Kit	1	3.50 lbs.
	16723	397.25	TC	535M Mounting Kit for 141	1	2.00 lbs.
	97365	125.75	TP	Jaw Insert Set f/Plas. Coated Pipe	1	0.19 lbs.

Cat. Page	Item No.	Resale Price	Disc. Code	Description	Std. Pack	Wt. (lbs.)
-----------	----------	--------------	------------	-------------	-----------	------------

Power Threading/Model 1210



4.22 - 1210 Oil-Less Threading Machine

67872	2120.30	TC	1/2" - 1" NPT	115V 25-60 Hz	1	73.00 lbs.
-------	---------	----	---------------	---------------	---	------------

4.22 - Accessories For 1210 Threading Machines

67817	333.15	TC	610 Qk-Open DH L/Die		1	7.80 lbs.
67807	169.75	TE	1/2"-3/4" NPT Oil-Less Gold		1	1.02 lbs.
67812	169.75	TE	1" NPT Oil-Less Gold		1	1.00 lbs.
67822	216.40	TC	120 Folding Stand		1	13.07 lbs.
41620	15.60	TP	1 Lb. Gear Head Grease		1	1.21 lbs.

Power Threading/Model 1215



4.23 - 1215 Threading Machine

61142	3265.00	TC	1/2" - 1 1/2"	115V 25-60 Hz	1	113.00 lbs.
-------	---------	----	---------------	---------------	---	-------------

4.23 - Accessories For 1215 Threading Machines

61187	247.00	TC	1203 Stand		1	23.70 lbs.
58657	208.80	TP	732 Pipe Cutter		1	5.81 lbs.
62457	387.80	TC	1219 Nipple Chuck, NPT		1	9.67 lbs.
97045	346.45	TC	531 1/4" - 1" Bolt Die Head		1	7.87 lbs.
84537	514.20	TC	816 Semi-Auto 1/8" - 3/4"		1	13.00 lbs.
84532	514.20	TC	817 Semi-Auto 1" - 2"		1	13.00 lbs.
41620	15.60	TP	1 Lb. Gear Head Grease		1	1.21 lbs.

Power Threading/Model 300 Compact



4.24 - Model 300 Compact

67182	5467.00	TC	60 Hz Kit	WITH	1	222.00 lbs.
75602	5465.40	TC	52 RPM Kit	250 STAND	1	162.20 lbs.
66947	5219.05	TC	115V 1/2" - 2"	MACHINE	1	159.00 lbs.
73447	5219.05	TC	115V 52 RPM	ONLY	1	105.00 lbs.

Cat. Page	Item No.	Resale Price	Disc. Code	Description	Std. Pack	Wt. (lbs.)
-----------	----------	--------------	------------	-------------	-----------	------------

4.24 - Die Heads For Model 300 Compact

97075	492.25	TC	815A Self-Opn DH RH		1	12.87 lbs.
97065	384.20	TC	811A DH RH		1	11.75 lbs.
97045	346.45	TC	531 1/4" - 1" Bolt Die Head	QUICK	1	7.87 lbs.
97050	346.45	TC	532 1 1/4"-2"	OPENING	1	9.25 lbs.
84537	514.20	TC	816 Semi-Auto 1/8" - 3/4"		1	13.00 lbs.
84532	514.20	TC	817 Semi-Auto 1" - 2"		1	13.00 lbs.



4.24 - Stands For Model 300 Compact

92457	402.75	TC	100A Leg & Tray		1	55.00 lbs.
92462	725.20	TC	150A Wheel & Tray		1	101.00 lbs.
92467	1059.50	TC	200A Wheel & Cab		1	107.00 lbs.
67657	562.80	TC	250 Folding Whl Stand		1	57.20 lbs.
22563	420.95	TC	Metal Cabinet f/ 200A Stand		1	40.00 lbs.

4.24 - Accessories For Model 300 Compact

67662	385.00	TP	300 Compact Adptr Brket		1	15.88 lbs.
51005	388.25	TC	819 Complete 1/2"-2"		1	10.62 lbs.
41620	15.60	TP	1 Lb. Gear Head Grease		1	1.21 lbs.
97365	125.75	TP	Jaw Insert Set f/Plas. Coated Pipe		1	0.19 lbs.

Power Threading/Model 1822-I



4.25 - 1822 Threading Machines

20000	5589.00	TC	1/2"-2" NPT	120V 60 Hz	1	255.00 lbs.
-------	---------	----	-------------	------------	---	-------------



4.26 - Universal Stands for 1822

92457	402.75	TC	100A Leg & Tray		1	55.00 lbs.
92462	725.20	TC	150A Wheel & Tray		1	101.00 lbs.
92467	1059.50	TC	200A Wheel & Cab		1	107.00 lbs.
20105	908.05	TC	1406 Folding Whl w/Oil Pan		1	78.00 lbs.
22563	420.95	TC	Metal Cabinet f/ 200A Stand		1	40.00 lbs.

Cat. Page	Item No.	Resale Price	Disc. Code	Description	Std. Pack	Wt. (lbs.)
4.26 - Die Heads For 1822 Threading Machine						
97065	384.20	TC	811A	DH RH	1	11.75 lbs.
97075	492.25	TC	815A	Self-Opn DH RH	1	12.87 lbs.
84537	514.20	TC	816	Semi-Auto 1/8" -3/4" NPT	1	13.00 lbs.
84532	514.20	TC	817	Semi-Auto 1" - 2"	1	13.00 lbs.
23282	452.45	TC	842	Quick Open LH	1	11.87 lbs.
97070	384.20	TC	811A	1/8" - 2"	1	11.75 lbs.
97080	493.10	TC	815A	1/8" - 2" BSPT	1	12.56 lbs.
97045	346.45	TC	531	1/4" - 1" Bolt Die Head RIGHT	1	7.87 lbs.
97050	346.45	TC	532	1 1/4"-2" HAND	1	9.25 lbs.

Cat. Page	Item No.	Resale Price	Disc. Code	Description	Std. Pack	Wt. (lbs.)
4.26 - Accessories For 1822-I Threading Machine						
51005	388.25	TC	819	Complete 1/2"-2"	1	10.62 lbs.
68160	387.80	TC	819	1/2" - 2" BSPT	1	10.90 lbs.
35867	100.40	TC	839	Adaptor Kit f/ 819	1	6.00 lbs.
36620	2335.10	TC	141	w/ 2 1/2"- 4"	1	93.00 lbs.
65380	2330.65	TC	141	2 -1/2"-4"	1	93.00 lbs.
35877	852.45	TC	241	Carriage Mount Kit f/ 141	1	15.69 lbs.
35882	81.15	TP	1460	Oil Pan Cover Kit	1	3.50 lbs.
46660	116.90	TP	E-863	LH/RH Reamer Cone	1	0.84 lbs.
34617	229.55	TC	364	Wheel Type Cutter	1	9.13 lbs.
50107	1333.40	TP		Conversion Kit f/ P.C.P.	1	28.19 lbs.
34217	138.30	TS		Grooving Tool	1	0.25 lbs.
44200	117.70	TS	E-1050	Saran Tool f/ 821	1	0.13 lbs.
43890	58.70	TS	D471	45 Bevel Cutoff Tool	1	0.13 lbs.
34612	163.80	TC	344	Reamer	1	3.56 lbs.
26707	13.95	TP		1 Lb. Grease 1224 & 1822	1	1.63 lbs.

Machine Die Heads For 2" Threading Machines



Cat. Page	Item No.	Resale Price	Disc. Code	Description	Std. Pack	Wt. (lbs.)
4.27 - Die Heads For 2" Threading Machines*						
84532	514.20	TC	817	Semi-Auto 1" - 2"	1	13.00 lbs.
84537	514.20	TC	816	Semi-Auto 1/8" -3/4"	1	13.00 lbs.
97065	384.20	TC	811A	DH RH UNIV	1	11.75 lbs.
97075	492.25	TC	815A	Self-Opn DH RH NPT	1	12.87 lbs.
23282	452.45	TC	842	Quick Open LH	1	11.87 lbs.
10491	346.45	TC	555	1/8" - 3/4" RH	1	8.00 lbs.
97070	384.20	TC	811A	1/8" - 2"	1	11.75 lbs.
97080	493.10	TC	815A	1/8" - 2" UNIV	1	12.56 lbs.
23297	441.15	TC	856	1/8" - 2" BSPT	1	11.75 lbs.
97045	346.45	TC	531	1/4" - 1" Bolt Die Head BOLT	1	7.87 lbs.
97050	346.45	TC	532	1 1/4"-2" RH/LH	1	9.25 lbs.
42047	346.45	TC	1/8"	RH	1	6.75 lbs.
42052	346.45	TC	1/4"	RH	1	7.00 lbs.
42057	346.45	TC	3/8"	RH	1	7.00 lbs.
42062	346.45	TC	1/2"	RH 500A	1	8.87 lbs.
42067	346.45	TC	3/4"	RH MONO	1	8.87 lbs.
42072	346.45	TC	1"	RH RH	1	8.87 lbs.
42077	346.45	TC	1 1/4"	RH	1	8.50 lbs.
42082	346.45	TC	1 1/2"	RH	1	8.87 lbs.
42087	346.45	TC	2"	RH	1	8.87 lbs.

* 500-500A-535-800-801-802-1822 Machines and 300 and 300A w/carriage.

Cat. Page	Item No.	Resale Price	Disc. Code	Description	Std. Pack	Wt. (lbs.)
4.27 - Die Head Racks For All Machine Die Heads						
42485	170.15	TC	4U	Heads	1	8.48 lbs.
42490	200.00	TC	6U	Heads	1	12.60 lbs.

Power Threading/Model 1224



Cat. Page	Item No.	Resale Price	Disc. Code	Description	Std. Pack	Wt. (lbs.)
4.28 - 1224 Threading Machines						
26092	9076.90	TC	120V	60Hz	1	490.00 lbs.
26097	9324.60	TC	240V	60Hz 1/2" - 4" NPT	1	485.00 lbs.
26127	9076.90	TC	120V	60Hz 1/2" - 4" BSPT	1	509.00 lbs.



Cat. Page	Item No.	Resale Price	Disc. Code	Description	Std. Pack	Wt. (lbs.)
4.28 - Universal 1224 Stands						
92457	402.75	TC	100A	Leg & Tray	1	55.00 lbs.
92462	725.20	TC	150A	Wheel & Tray	1	101.00 lbs.
92467	1059.50	TC	200A	Wheel & Cab	1	107.00 lbs.
22563	420.95	TC		Metal Cabinet f/ 200A Stand	1	40.00 lbs.



Cat. Page	Item No.	Resale Price	Disc. Code	Description	Std. Pack	Wt. (lbs.)
4.29 - Die Heads For Model 1224 *						
26132	583.90	TC	711	RH NPT	1	14.94 lbs.
26142	583.90	TC	713	LH NPT NPT	1	14.63 lbs.
26152	1023.75	TC	714	RH NPT	1	30.19 lbs.
26162	440.30	TC	541	LH / RH	1	9.94 lbs.
26167	489.00	TC	542	LH / RH QUICK-OPEN	1	11.87 lbs.
55447	985.05	TC	725	Grooving BOLT	1	30.56 lbs.
26137	583.90	TC	911	RH	1	14.87 lbs.
26147	583.90	TC	913	LH BSPT	1	14.94 lbs.
26157	1023.75	TC	914	RH (Rec) LH/RH	1	30.63 lbs.
55452	1781.90	TC	766	Blade Type Cutter	1	24.25 lbs.
58712	184.35	TP		Cut-off Tool Bit	1	0.06 lbs.

Note: Die Heads Do Not Include Dies.

Cat. Page	Item No.	Resale Price	Disc. Code	Description	Std. Pack	Wt. (lbs.)
4.29 - Pipe Dies 2-1/2" - 4"						
	26192	256.90	TE	H.S.	1	2.13 lbs.
	32237	256.90	TE	H.S. f/ PVC	1	2.19 lbs.
	33057	256.90	TE	H.S. NPT f/ S.S.	1	2.06 lbs.
	31827	281.70	TE	H.S. f/ Plas Coat	1	2.00 lbs.
	33642	256.90	TE	H.S.	1	2.00 lbs.
	32242	256.90	TE	H.S. f/ PVC	1	2.13 lbs.
	31832	281.70	TE	H.S. f/ Plas Coat	1	2.00 lbs.
	33072	312.75	TE	45° Beveling Dies	1	2.13 lbs.
	33077	312.75	TE	37 1/2° Beveling Dies	1	2.13 lbs.
	44992	223.20	TE	Beveling Guide Set	1	1.56 lbs.
	44997	111.65	TE	37 1/2° Bevel Bit Only	1	0.50 lbs.
	45002	111.65	TE	45° Bevel Bit Only	1	0.50 lbs.
	57492	325.80	TE	4" Grooving Die Set	1	2.03 lbs.
	57497	325.80	TE	2 1/2"-3 1/2" Groove Die Set	1	2.02 lbs.
	57502	164.55	TE	4" Grooving Bit Only	1	0.50 lbs.
	57507	164.55	TE	2 1/2"-3" Groove Bit Only	1	0.53 lbs.

4.29 - 1224 Accessories

34162	329.50	TC	419	3"	1	4.75 lbs.
34157	329.50	TC	419	2 1/2"	1	4.63 lbs.
34167	349.40	TC	419	4"	1	6.50 lbs.
51005	388.25	TC	819	Complete 1/2"-2"	1	10.62 lbs.
26212	456.80	TC	764	1/4" - 4" Cutter	1	17.69 lbs.
26217	326.00	TC	744	1/4" - 4" Reamer	1	9.56 lbs.
34577	132.00	TP	1/4" - 4"	Reamer Blade	1	0.75 lbs.
26187	203.70	TC	Roll	Set f/ Coated	1	0.75 lbs.
61122	461.85	TC	840A		1	35.00 lbs.
26247	182.80	TP	Insert	Set f/Plas. Coated Pipe	1	0.31 lbs.
26707	13.95	TP	1 Lb.	Grease 1224 & 1822	1	1.63 lbs.

Pipe Dies For Machine Die Heads



Fit Nos. 504A, 711, 713, 811A, 815A, 842, 816 & 817.

4.30 - Pipe Dies For Universal Die Heads

47735	114.25	TE	1/8"		1	1.41 lbs.
47740	114.25	TE	1/4" - 3/8"	NPT	1	1.41 lbs.
47745	114.25	TE	1/2" - 3/4"	ALLOY	1	1.37 lbs.
47750	114.25	TE	1" - 2"	R. H.	1	1.31 lbs.
47755	171.30	TE	1/8"		1	1.41 lbs.
47760	171.30	TE	1/4" - 3/8"	NPT	1	1.41 lbs.
47765	171.30	TE	1/2" - 3/4"	H. S.	1	1.43 lbs.
47770	171.30	TE	1" - 2"	R. H.	1	1.32 lbs.
70740	198.90	TE	1" - 2"	NPT H.S.F/ C.I.	1	1.28 lbs.
47775	171.30	TE	1/8"		1	1.41 lbs.
47780	171.30	TE	1/4" - 3/8"	NPT	1	1.41 lbs.
47785	171.30	TE	1/2" - 3/4"	H.S.	1	1.43 lbs.
47790	171.30	TE	1" - 2"	F/SS R.H.	1	1.31 lbs.
70745	198.90	TE	1/2" - 3/4"		1	1.44 lbs.
70750	198.90	TE	1" - 2"	NPT H.S. F/PVC	1	1.28 lbs.

Cat. Page	Item No.	Resale Price	Disc. Code	Description	Std. Pack	Wt. (lbs.)
50012	198.90	TE	1/2" - 3/4"	NPT H.S.	1	1.44 lbs.
31822	198.90	TE	1" - 2"	F/PL COAT	1	1.31 lbs.
39587	223.65	TE	1/8"		1	1.41 lbs.
47810	223.65	TE	1/4" - 3/8"	NPT	1	1.41 lbs.
47815	223.65	TE	1/2" - 3/4"	H.S.	1	1.38 lbs.
47820	223.65	TE	1" - 2"	L.H.	1	1.28 lbs.
47845	198.90	TE	1/8"		1	1.41 lbs.
47850	198.90	TE	1/4" - 3/8"	NPSM	1	1.41 lbs.
47855	198.90	TE	1/2" - 3/4"	H.S.	1	1.38 lbs.
47860	198.90	TE	1" - 2"	R.H.	1	1.28 lbs.

4.30 - Conduit Dies for Universal Die Heads

50645	153.75	TE	16 - 32 MM X 1.5	ALLOY ISO	1	1.38 lbs.
50650	153.75	TE	40 - 63 MM X 1.5	R. H.	1	1.28 lbs.

4.30 - Dies For 500A Mono Die Heads

50700	198.90	TE	1/8"		1	0.40 lbs.
50705	198.90	TE	1/4"		1	0.38 lbs.
50710	198.90	TE	3/8"		1	0.35 lbs.
50715	198.90	TE	1/2"	NPT	1	0.65 lbs.
50720	198.90	TE	3/4"	HIGH SPEED	1	0.60 lbs.
50725	198.90	TE	1"	RIGHT HAND	1	0.98 lbs.
50730	198.90	TE	1 1/4"		1	0.90 lbs.
50735	198.90	TE	1 1/2"		1	0.96 lbs.
50740	198.90	TE	2"		1	0.85 lbs.
50895	198.90	TE	1/2"		1	0.65 lbs.
50900	198.90	TE	3/4"		1	0.60 lbs.
50905	198.90	TE	1"	NPSM	1	0.98 lbs.
50910	198.90	TE	1 1/4"	HIGH SPEED	1	0.90 lbs.
50915	198.90	TE	1 1/2"	RIGHT HAND	1	0.96 lbs.
50920	198.90	TE	2"		1	0.85 lbs.
50745	198.90	TE	1/8"		1	0.40 lbs.
50750	198.90	TE	1/4"		1	0.38 lbs.
50755	198.90	TE	3/8"		1	0.35 lbs.
50760	198.90	TE	1/2"	NPT	1	0.65 lbs.
50765	198.90	TE	3/4"	HIGH SPEED	1	0.60 lbs.
50770	198.90	TE	1"	RIGHT HAND	1	0.98 lbs.
50775	198.90	TE	1 1/4"	F/SS	1	0.90 lbs.
50780	198.90	TE	1 1/2"		1	0.96 lbs.
50785	198.90	TE	2"		1	0.85 lbs.

4.30 - Pipe Dies For 1/4" - 3/8" Dual Die Heads (No. 502)

47940	198.90	TE	NPT H.S. Right Hand		1	0.38 lbs.
-------	--------	----	---------------------	--	---	-----------

4.30 - Pipe Dies For Nos. 514, 515, 555 and 1/2" - 3/4" Dual Die Heads

47880	98.95	TE	1/2" - 3/4"	NPT ALLOY R. H.	1	0.65 lbs.
47885	198.90	TE	1/8"	NPT	1	0.69 lbs.
47890	198.90	TE	1/4" - 3/8"	H. S.	1	0.68 lbs.
47895	198.90	TE	1/2" - 3/4"	R. H.	1	0.65 lbs.
47900	198.90	TE	1/8"	NPT	1	0.69 lbs.
47905	198.90	TE	1/4" - 3/8"	H.S.	1	0.68 lbs.
47910	198.90	TE	1/2" - 3/4"	F/S.S. R.H.	1	0.65 lbs.
47930	198.90	TE	1/2" - 3/4"	NPS H.S. R.H.	1	0.65 lbs.

4.31 - Pipe Dies For No. 424 Die Head (High Speed R. H.)

99545	745.00	TE	3 1/2" - 4" NPT		1	4.25 lbs.
94220	745.00	TE	2 1/2" - 4" NPSM		1	4.13 lbs.

Cat. Page	Item No.	Resale Price	Disc. Code	Description	Std. Pack	Wt. (lbs.)
4.31 - Bolt Dies For Universal Die Heads						
48215	218.00	TE	1/4"		1	1.53 lbs.
48220	218.00	TE	5/16"		1	1.52 lbs.
48225	218.00	TE	3/8"		1	1.48 lbs.
48230	218.00	TE	7/16"		1	1.47 lbs.
48235	218.00	TE	1/2"		1	1.46 lbs.
48240	218.00	TE	9/16"		1	1.46 lbs.
48245	218.00	TE	5/8"		1	1.45 lbs.
48250	218.00	TE	3/4"	UNC	1	1.43 lbs.
48255	218.00	TE	7/8"	HIGH SPEED	1	1.38 lbs.
48260	218.00	TE	1"		1	1.37 lbs.
48265	218.00	TE	1 1/8"		1	1.33 lbs.
48270	218.00	TE	1 1/4"		1	1.31 lbs.
48275	218.00	TE	1 3/8"		1	1.29 lbs.
48280	218.00	TE	1 1/2"		1	1.27 lbs.
48285	218.00	TE	1 3/4"		1	1.22 lbs.
48290	218.00	TE	2"		1	1.17 lbs.
48295	223.65	TE	1/4"		1	1.53 lbs.
48305	223.65	TE	3/8"		1	1.48 lbs.
48310	223.65	TE	7/16"		1	1.47 lbs.
48315	223.65	TE	1/2"		1	1.46 lbs.
48320	223.65	TE	9/16"		1	1.46 lbs.
48325	223.65	TE	5/8"		1	1.45 lbs.
48330	223.65	TE	3/4"	UNF	1	1.43 lbs.
48335	223.65	TE	7/8"	HIGH SPEED	1	1.38 lbs.
48340	223.65	TE	1" - 14NS		1	1.37 lbs.
48375	223.65	TE	1" - 12NS		1	1.37 lbs.
48345	223.65	TE	1 1/8"		1	1.33 lbs.
48350	223.65	TE	1 1/4"		1	1.31 lbs.
48355	223.65	TE	1 3/8"		1	1.29 lbs.
48360	223.65	TE	1 1/2"		1	1.27 lbs.
4.31 - Beveling Dies						
52192	194.50	TE	37 1/2°	1/2" - 3/4"	1	0.72 lbs.
50960	194.50	TE	37 1/2°	1" - 2"	1	1.29 lbs.
52202	194.50	TE	45°	Set 1/2" - 3/4"	1	1.44 lbs.
50965	194.50	TE	45°	1-2"	1	1.29 lbs.
4.31 - Grooving Dies						
52217	194.50	TE	1/2" - 3/4"	Set	1	1.40 lbs.
50985	194.50	TE	1" - 2"	Set	1	1.29 lbs.
4.32 - Dies For Rebar						
Use in 500B, 531, 532, 541, and 542 Die Heads.						
34077	372.75	TE	3/8"		1	0.60 lbs.
34082	372.75	TE	1/2"		1	0.60 lbs.
34087	372.75	TE	5/8"	UNC	1	0.60 lbs.
34092	372.75	TE	3/4"	HIGH SPEED	1	0.63 lbs.
85850	372.75	TE	1"	RIGHT HAND	1	0.52 lbs.
79120	372.75	TE	1 1/8"		1	1.06 lbs.
85855	372.75	TE	1 3/8"		1	1.20 lbs.
4.32 - Bolt Dies For 500B and 531, 532, 541, and 542 Die Heads						
49215	382.35	TE	1 1/8"		1	1.06 lbs.
49220	382.35	TE	1 1/4"		1	1.03 lbs.
49225	382.35	TE	1 3/8"	8 UN	1	1.00 lbs.
49230	382.35	TE	1 1/2"	HIGH SPEED	1	1.00 lbs.
49240	382.35	TE	1 3/4"	RIGHT HAND	1	0.94 lbs.
49245	382.35	TE	1 7/8"		1	0.92 lbs.
49250	382.35	TE	2"		1	0.90 lbs.
49345	372.75	TE	2"	12 UN HS RH	1	0.90 lbs.
48605	194.50	TE	1/4"		1	0.60 lbs.
48610	194.50	TE	5/16"		1	0.60 lbs.
48615	194.50	TE	3/8"		1	0.60 lbs.
48620	194.50	TE	7/16"		1	0.60 lbs.
48625	194.50	TE	1/2"		1	0.58 lbs.

Cat. Page	Item No.	Resale Price	Disc. Code	Description	Std. Pack	Wt. (lbs.)
48630	194.50	TE	9/16"		1	0.58 lbs.
48635	194.50	TE	5/8"		1	0.56 lbs.
48640	194.50	TE	3/4"	UNC	1	0.56 lbs.
48645	194.50	TE	7/8"	HIGH SPEED	1	0.54 lbs.
48650	194.50	TE	1"	RIGHT HAND	1	0.52 lbs.
48655	194.50	TE	1 1/8"		1	1.06 lbs.
48660	194.50	TE	1 1/4"		1	1.03 lbs.
48665	194.50	TE	1 3/8"		1	1.00 lbs.
48670	194.50	TE	1 1/2"		1	1.00 lbs.
48675	194.50	TE	1 3/4"		1	0.94 lbs.
48680	194.50	TE	2"		1	0.90 lbs.
48920	246.45	TE	3/8"		1	0.60 lbs.
48930	246.45	TE	1/2"		1	0.58 lbs.
48935	246.45	TE	9/16"		1	0.58 lbs.
48940	246.45	TE	5/8"		1	0.56 lbs.
48945	246.45	TE	3/4"	UNC	1	0.56 lbs.
48950	246.45	TE	7/8"	HIGH SPEED	1	0.54 lbs.
48955	246.45	TE	1"	LEFT HAND	1	0.52 lbs.
48965	246.45	TE	1 1/4"		1	1.03 lbs.
48970	246.45	TE	1 3/8"		1	1.00 lbs.
48975	246.45	TE	1 1/2"		1	1.00 lbs.
48985	246.45	TE	2"		1	0.90 lbs.
48690	198.90	TE	1/4"		1	0.60 lbs.
48695	198.90	TE	5/16"		1	0.60 lbs.
48700	198.90	TE	3/8"		1	0.60 lbs.
48705	198.90	TE	7/16"		1	0.60 lbs.
48710	198.90	TE	1/2" - 14NS		1	0.58 lbs.
48715	198.90	TE	9/16"	UNF	1	0.58 lbs.
48720	198.90	TE	5/8"	HIGH SPEED	1	0.56 lbs.
48725	198.90	TE	3/4"	RIGHT HAND	1	0.56 lbs.
48730	198.90	TE	7/8"		1	0.54 lbs.
48735	198.90	TE	1"		1	0.52 lbs.
48745	198.90	TE	1 1/4"		1	1.03 lbs.
48755	198.90	TE	1 1/2"		1	1.00 lbs.
49610	521.85	TE	3/4" - 6"	ACME	1	0.56 lbs.
49585	521.85	TE	1" - 5"	HIGH SPEED	1	0.52 lbs.
49600	421.95	TE	1-1/4" - 5	RIGHT HAND	1	1.03 lbs.
49795	198.90	TE	6 MM		1	0.60 lbs.
49805	198.90	TE	8 MM		1	0.60 lbs.
49815	198.90	TE	10MM		1	0.60 lbs.
49820	198.90	TE	11MM		1	0.60 lbs.
49825	198.90	TE	12MM		1	0.60 lbs.
49830	198.90	TE	14MM		1	0.60 lbs.
49835	198.90	TE	16MM		1	0.58 lbs.
49840	198.90	TE	18MM		1	0.58 lbs.
50480	198.90	TE	20MM		1	0.56 lbs.
50485	198.90	TE	22MM		1	0.56 lbs.
50490	198.90	TE	24MM	SERIES A METRIC	1	0.53 lbs.
50495	198.90	TE	25MM	HIGH SPEED	1	0.53 lbs.
50500	198.90	TE	27MM	RIGHT HAND	1	1.06 lbs.
50505	198.90	TE	30MM		1	1.06 lbs.
50510	198.90	TE	33MM		1	1.03 lbs.
50515	198.90	TE	36MM		1	1.00 lbs.
50520	198.90	TE	39MM		1	0.96 lbs.
50525	198.90	TE	42MM		1	0.96 lbs.
50530	198.90	TE	45MM		1	0.93 lbs.
50540	198.90	TE	48MM		1	0.85 lbs.
50545	198.90	TE	50MM		1	0.90 lbs.
50550	198.90	TE	52MM		1	0.90 lbs.
49845	445.85	TE	6 MM		1	0.60 lbs.
49850	445.85	TE	7 MM		1	0.60 lbs.
49870	445.85	TE	11MM		1	0.60 lbs.
49875	445.85	TE	12MM		1	0.60 lbs.
49885	445.85	TE	16MM		1	0.58 lbs.
49890	445.85	TE	18MM		1	0.58 lbs.
49895	445.85	TE	20MM	SERIES A METRIC	1	0.56 lbs.
49905	445.85	TE	24MM	HIGH SPEED	1	0.53 lbs.
49915	445.85	TE	30MM	LEFT HAND	1	1.06 lbs.
49925	445.85	TE	36MM		1	1.00 lbs.
49930	445.85	TE	39MM		1	0.96 lbs.
49945	445.85	TE	48MM		1	0.93 lbs.

Cat. Page	Item No.	Resale Price	Disc. Code	Description	Std. Pack	Wt. (lbs.)
50560	382.35	TE	10MM	SERIES B METRIC HIGH SPEED RIGHT HAND	1	0.60 lbs.
50575	382.35	TE	16MM		1	0.58 lbs.
50585	382.35	TE	20MM		1	0.58 lbs.
50590	382.35	TE	22MM		1	0.56 lbs.
85870	382.35	TE	24MM		1	0.56 lbs.
50040	198.90	TE	6 MM	INT'L STD ALLOY RH	1	0.60 lbs.
50060	198.90	TE	10MM	INT'L STD HIGH SPEED RIGHT HAND	1	0.60 lbs.
50070	198.90	TE	12MM		1	0.60 lbs.
50075	198.90	TE	14MM		1	0.60 lbs.
50080	198.90	TE	16MM		1	0.58 lbs.
50085	198.90	TE	18MM		1	0.58 lbs.
50090	198.90	TE	20MM		1	0.56 lbs.
50095	198.90	TE	22MM		1	0.56 lbs.
50100	198.90	TE	24MM		1	0.53 lbs.
50105	198.90	TE	27MM		1	1.06 lbs.
50110	198.90	TE	30MM		1	1.06 lbs.
50115	198.90	TE	33MM		1	1.03 lbs.
50120	198.90	TE	36MM		1	1.00 lbs.
50125	198.90	TE	39MM		1	0.96 lbs.
50130	198.90	TE	42MM		1	0.96 lbs.
50140	198.90	TE	48MM		1	0.85 lbs.



4.33 - Nipple Chucks / Adaptor

51005	388.25	TC	819 Complete 1/2"-2"	1	10.62 lbs.
68160	387.80	TC	819 1/2" - 2" BSPT	1	10.90 lbs.
51020	26.40	TC	D-380-X Nipple Chuck Wr	1	1.02 lbs.
35867	100.40	TC	839 Adaptor Kit f/ 819	1	6.00 lbs.
62457	387.80	TC	1219 Nipple Chuck, NPT	1	9.67 lbs.

4.33 - Pipe Adaptors

51040	47.40	TC	E-729 1/8"	1	0.50 lbs.
51045	47.40	TC	E-730 1/4"	1	0.53 lbs.
51050	47.40	TC	E-731 3/8"	1	0.56 lbs.
51055	47.40	TC	E-732 1/2"	1	0.68 lbs.
51060	47.40	TC	E-733 3/4"	1	0.70 lbs.
51065	47.40	TC	E-734 1"	1	0.64 lbs.
51070	47.40	TC	E-735 1 1/4"	1	0.58 lbs.
51075	47.40	TC	E-736 1 1/2"	1	0.50 lbs.
68195	123.95	TC	E-730B 1/4"	1	0.53 lbs.
68200	123.95	TC	E-731B 3/8"	1	0.56 lbs.
68165	123.95	TC	E-732B 1/2"	1	0.68 lbs.
68170	123.95	TC	E-733B 3/4"	1	0.70 lbs.
68175	123.95	TC	E-734B 1"	1	0.64 lbs.
68180	123.95	TC	E-735B 1 1/4"	1	0.58 lbs.
68185	123.95	TC	E-736B 1 1/2"	1	0.50 lbs.
51035	14.35	TC	Insert f/ 1/8" - 1" Adaptors	1	0.16 lbs.

Cat. Page	Item No.	Resale Price	Disc. Code	Description	Std. Pack	Wt. (lbs.)
-----------	----------	--------------	------------	-------------	-----------	------------



5.3 - 915 Roll Groover

88232	1019.95	TC	915 Roll Groover	1	25.00 lbs.
-------	---------	----	------------------	---	------------

5.3 - 915 Accessories

92437	248.70	TC	1 1/4 - 1 1/2"	1	2.40 lbs.
92447	305.10	TC	4" - 6"	1	4.00 lbs.
92442	317.25	TC	8" - 12"	1	4.00 lbs.
92452	278.45	TC	2" - 8" Copper	1	4.83 lbs.

93497	165.25	TC	915 Tool Box	1	17.00 lbs.
76822	23.75	TC	English Diameter Tape	1	0.13 lbs.
76827	23.75	TC	Metric Diameter Tape	1	0.13 lbs.



* Shown with 300 Power Drive - Not included.

5.4 - 960 Roll Groover *

91207	889.95	TC	960 Roll Groover	1	31.00 lbs.
18588	889.95	TC	960 Roll Groover f/ Copper	1	28.00 lbs.

90842	304.15	TC	For 1" Sch 10/40 Steel Pipe	960	1 5.08 lbs.
90837	317.25	TC	For 2" - 6" Copper Tube	Roll Sets	1 5.18 lbs.

76827	23.75	TC	Metric Diameter Tape	1	0.13 lbs.
76822	23.75	TC	English Diameter Tape	960 Accessories	1 0.13 lbs.

New!



- 975 Combo Roll Groover

25638	885.00	TC	975 Combo Roll Groover	1	28.00 lbs.
-------	--------	----	------------------------	---	------------

Cat. Page	Item No.	Resale Price	Disc. Code	Description	Std. Pack	Wt. (lbs.)
-----------	----------	--------------	------------	-------------	-----------	------------

Portable Roll Groover/Model 916



* Shown with 300 Power Drive - Not included.

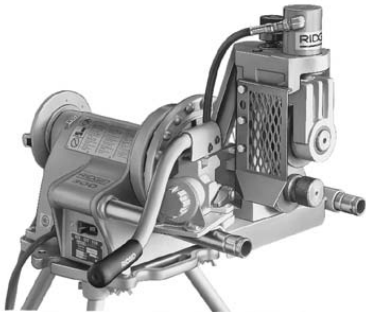
5.5 - 916 Roll Groover *

45007	1072.50	TC	916 f/300 P.D.		1	39.00 lbs.
46852	1073.00	TC	916 f/ Copper Tubing		1	37.75 lbs.
60382	1073.00	TC	916 f/ 535		1	44.19 lbs.
48307	1073.00	TC	916 f/ 1822		1	41.94 lbs.

5.5 - 916 Accessories

45347	307.70	TC	1" Sch.10,40		1	5.75 lbs.
45352	318.55	TC	2"-6" Copper	ROLL	1	5.87 lbs.
69667	434.90	TC	1 1/4"-1 1/2" AWWA	SETS	1	6.00 lbs.
69692	434.90	TC	2"-6" AWWA		1	6.02 lbs.
67662	385.00	TP	300 Compact Adptr Brket		1	15.88 lbs.
76822	23.75	TC	English Diameter Tape		1	0.13 lbs.
76827	23.75	TC	Metric Diameter Tape		1	0.13 lbs.

Hydraulic Roll Groover/Model 918



* Shown with 300 Power Drive - Not included.

5.6 - 918 Roll Groover *

47222	3287.10	TC	918 Only		1	95.30 lbs.
48297	3756.60	TC	918-1 w/ 300 Mount Kit		1	121.00 lbs.
48377	3756.60	TC	918-2 w/ 1822 Carriage Mount		1	134.20 lbs.
48382	3757.00	TC	918-4 w/ 1224 Carriage Mount		1	131.30 lbs.
48387	3757.00	TC	918-5 w/ 535 Carriage Mount		1	117.43 lbs.

5.6 - 918 Groover Mounting Kits Only

48292	472.65	TC	911 f/ 300 PD		1	9.00 lbs.
48392	472.65	TC	914 f/ 1822 Carriage		1	38.69 lbs.
48397	472.65	TC	912 f/ 1224 Carriage		1	36.06 lbs.
48402	472.65	TC	915 f/ 535 Carriage		1	22.13 lbs.

5.6 - 918 Accessories

48405	634.85	TC	For 8" - 12"		1	22.75 lbs.
48407	769.30	TC	For 1-1/4" to 1-1/2"	ROLL	1	37.81 lbs.

Cat. Page	Item No.	Resale Price	Disc. Code	Description	Std. Pack	Wt. (lbs.)
-----------	----------	--------------	------------	-------------	-----------	------------

48412	1313.85	TC	For 1" to 1-1/2"	SETS	1	50.00 lbs.
48417	634.85	TC	For 2" - 6" Copper		1	22.00 lbs.

59992	584.00	TC	1" - 12" Stabilizer		1	12.13 lbs.
49662	144.70	TP	Tool Box		1	18.00 lbs.
76822	23.75	TC	English Diameter Tape		1	0.13 lbs.
76827	23.75	TC	Metric Diameter Tape		1	0.13 lbs.

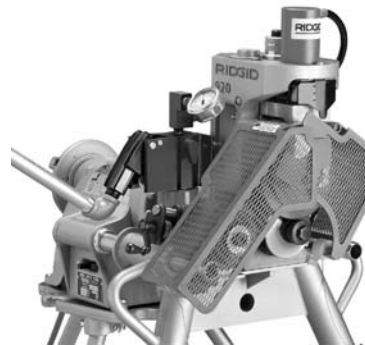


5.7 - 918-I Roll Groover

64977	7785.25	TC	918-I Complete 115V		1	250.00 lbs.
65902	8657.75	TC	918-I Complete 230V		1	252.00 lbs.

5.7 - 918-I Accessories

48405	634.85	TC	For 8" - 12"		1	22.75 lbs.
48407	769.30	TC	For 1-1/4" to 1-1/2"	ROLL	1	37.81 lbs.
48412	1313.85	TC	For 1" to 1-1/2"	SETS	1	50.00 lbs.
48417	634.85	TC	For 2" - 6" Copper	W/CASE	1	22.00 lbs.
59992	584.00	TC	1" - 12" Stabilizer		1	12.13 lbs.
76822	23.75	TC	English Diameter Tape		1	0.13 lbs.
76827	23.75	TC	Metric Diameter Tape		1	0.13 lbs.



* Shown with 300 Power Drive - Not included.

5.8 - 920 Roll Groover *

95782	10495.00	TC	920 Roll Groover		1	366.00 lbs.
-------	----------	----	------------------	--	---	-------------

5.8 - 920 Roll Sets

96982	1232.75	TC	2" - 8" Copper		1	32.00 lbs.
96997	1232.75	TC	4" - 6" Steel & Stainless Steel		1	31.00 lbs.
96987	1232.75	TC	18" - 20" Steel & Stainless Steel		1	32.00 lbs.
96992	1232.75	TC	22" - 24" Steel & Stainless Steel		1	32.00 lbs.

Cat. Page	Item No.	Resale Price	Disc. Code	Description	Std. Pack	Wt. (lbs.)
-----------	----------	--------------	------------	-------------	-----------	------------

Hole Cutting Tool



6.2 - HC-300 & HC-450 Hole Cutting Tool

76777	1462.00	TC	HC-300 115V	1	39.00 lbs.
76787	1479.25	TC	HC-300 230V	1	39.10 lbs.
57597	2193.60	TC	HC-450 220V	1	56.19 lbs.

6.2 - Accessories for HC300 / HC450

84427	266.30	TC	HC-450/HC-300 Carry Case	1	33.30 lbs.
59502	39.20	HS	R4 5/8" Arbor Only	1	0.94 lbs.

Hole Saws



6.4 - Bi-Metal Hole Saws

52755	15.80	HS	M14 9/16"	1	0.07 lbs.
52765	11.55	HS	M17 11/16"	1	0.08 lbs.
52770	11.55	HS	M19 3/4"	1	0.09 lbs.
52775	11.55	HS	M21 13/16"	1	0.10 lbs.
53005	16.00	HS	R-14D 7/8"	1	0.13 lbs.
53010	18.20	HS	R-16D 1"	1	0.16 lbs.
53015	19.15	HS	R-18D 1 1/8"	1	0.21 lbs.
53020	20.80	HS	R-20D 1 1/4"	1	0.24 lbs.
53025	20.95	HS	R-22D 1 3/8"	1	0.27 lbs.
53030	22.40	HS	R-24D 1 1/2"	1	0.23 lbs.
53035	24.85	HS	R-28D 1 3/4"	1	0.28 lbs.
53040	24.20	HS	R-32D 2"	1	0.35 lbs.
53045	26.50	HS	R-36D 2 1/4"	1	0.40 lbs.
53050	28.95	HS	R-40D 2 1/2"	1	0.45 lbs.
53055	32.35	HS	R-48D 3"	1	0.59 lbs.
53060	34.90	HS	R-54D 3 3/8"	1	0.68 lbs.

52805	12.60	HS	M30 1 3/16"	1	0.22 lbs.
52810	12.60	HS	M32 1 1/4"	1	0.21 lbs.
52815	12.60	HS	M33 1 5/16"	1	0.23 lbs.
52825	13.30	HS	M37 1 7/16"	1	0.26 lbs.
52830	13.30	HS	M38 1 1/2"	1	0.21 lbs.
52835	13.30	HS	M40 1 9/16"	1	0.20 lbs.
52840	13.30	HS	M41 1 5/8"	1	0.22 lbs.
52845	13.30	HS	M43 1 11/16"	1	0.23 lbs.
52850	16.50	HS	M44 1 3/4"	1	0.24 lbs.
52855	16.50	HS	M46 1 13/16"	1	0.27 lbs.
52860	16.50	HS	M48 1 7/8"	1	0.28 lbs.
52865	16.50	HS	M51 2"	1	0.30 lbs.
52870	20.35	HS	M52 2 1/16"	1	0.30 lbs.
52875	20.35	HS	M54 2 1/8"	1	0.31 lbs.
52880	20.35	HS	M57 2 1/4"	1	0.36 lbs.
52885	20.35	HS	M59 2 5/16"	1	0.36 lbs.
52890	20.35	HS	M60 2 3/8"	1	0.35 lbs.
52895	21.85	HS	M64 2 1/2"	1	0.39 lbs.
52900	21.85	HS	M65 2 9/16"	1	0.42 lbs.
52905	22.25	HS	M67 2 5/8"	1	0.42 lbs.
52910	21.85	HS	M70 2 3/4"	1	0.46 lbs.

Cat. Page	Item No.	Resale Price	Disc. Code	Description	Std. Pack	Wt. (lbs.)
-----------	----------	--------------	------------	-------------	-----------	------------

52915	21.85	HS	M73 2 7/8"	1	0.49 lbs.
52920	22.80	HS	M76 3"	1	0.51 lbs.
52925	22.80	HS	M79 3 1/8"	1	0.57 lbs.
52930	22.80	HS	M83 3 1/4"	1	0.57 lbs.
52935	22.80	HS	M86 3 3/8"	1	0.62 lbs.
52940	22.80	HS	M89 3 1/2"	1	0.64 lbs.
52945	26.35	HS	M92 3 5/8"	1	0.67 lbs.
52950	31.00	HS	M95 3 3/4"	1	0.68 lbs.
52955	32.55	HS	M98 3 7/8"	1	0.73 lbs.
52960	34.20	HS	M102 4"	1	0.77 lbs.
52965	37.15	HS	M105 4 1/8"	1	0.83 lbs.
52970	48.70	HS	M108 4 1/4"	1	0.90 lbs.
52975	57.35	HS	M110 4 3/8"	1	0.90 lbs.
52980	66.90	HS	M114 4 1/2"	1	0.91 lbs.
52985	74.50	HS	M121 4 3/4"	1	0.99 lbs.
52990	82.50	HS	M127 5"	1	1.05 lbs.
52995	98.40	HS	M140 5 1/2"	1	1.20 lbs.
53000	116.30	HS	M152 6"	1	1.39 lbs.

52780	11.55	HS	M22 7/8"	1	0.11 lbs.
52785	11.55	HS	M24 15/16"	1	0.13 lbs.
52790	12.60	HS	M25 1"	1	0.14 lbs.
52795	12.60	HS	M27 1 1/16"	1	0.17 lbs.
52800	12.60	HS	M29 1 1/8"	1	0.19 lbs.



- Hole Saw Kits

81490	121.80	HS	1248 Plumber Kit	1	3.50 lbs.
81495	125.00	HS	1249 Electrician Kit	1	3.50 lbs.
81500	188.50	HS	1250 Combination Kit	1	6.13 lbs.

81505	21.05	HS	D969 12" Arbor Ext	1	0.76 lbs.
-------	-------	----	--------------------	---	-----------

6.4 - Hole Saw Arbors

53065	10.90	HS	R0 Arbor	1	0.17 lbs.
53070	15.50	HS	R1 Arbor	1	0.22 lbs.
53075	25.95	HS	R2 Arbor	1	0.53 lbs.
53080	32.55	HS	R3 Arbor	1	0.59 lbs.

53085	8.50	HS	E3986 1/4" Pilot Drill	1	0.06 lbs.
-------	------	----	------------------------	---	-----------



6.5 - RT-1000 Tapping Tool

83567	1276.05	TC	RT-1000 CTS Set	1	23.00 lbs.
83302	710.35	TC	Tool Only	1	23.40 lbs.

6.5 - RT-1000 Accessories

83307	124.20	TC	RT-1000 Tool Box	1	9.05 lbs.
76022	91.30	TC	Ratchet Wrench	1	2.20 lbs.

83317	90.85	TC	3/4" CTS	1	0.38 lbs.
83322	90.85	TC	1" CTS	1	0.46 lbs.
83332	113.05	TC	3/4" NPT Female	1	0.42 lbs.
83337	90.85	TC	3/4" NPT Male	1	0.70 lbs.

Cat. Page	Item No.	Resale Price	Disc. Code	Description	Std. Pack	Wt. (lbs.)
83342	90.85	TC	1" NPT Female	ADAPTERS	1	0.37 lbs.
83347	90.85	TC	1" NPT Male		1	0.62 lbs.
83327	118.40	TC	3/4" Mueller 110		1	0.51 lbs.
83572	90.85	TC	1" Mueller 110		1	0.56 lbs.
52760	11.55	HS	M10 5/8"	BI-METAL HOLE SAW	1	0.07 lbs.
52780	11.55	HS	M22 7/8"		1	0.11 lbs.
76267	115.90	TC	5/8" Steel		1	0.10 lbs.
76272	124.60	TC	7/8" Steel		1	0.10 lbs.
76292	96.75	TC	5/8" CI/DI		1	0.30 lbs.
76297	124.65	TC	7/8" CI/DI	CUTTERS	1	0.50 lbs.
76317	118.40	TC	5/8" PVC		1	0.30 lbs.
76322	124.65	TC	7/8" PVC		1	0.50 lbs.



6.6 - RT-3422 Tapping Tool

75982	1431.35	TC	Tool Only		1	15.20 lbs.
75992	2545.40	TC	3/4" - 2" NPT Male Set		1	52.80 lbs.
91192	2581.75	TC	3/4" - 2" CTS Set		1	48.40 lbs.

6.6 - RT-3422 Cutters

52760	11.55	HS	M10 5/8"		1	0.07 lbs.
52780	11.55	HS	M22 7/8"	BI-METAL HOLE SAW	1	0.11 lbs.
52800	12.60	HS	M29 1 1/8"		1	0.19 lbs.
52820	13.30	HS	M35 1 3/8"		1	0.25 lbs.
52850	16.50	HS	M44 1 3/4"		1	0.24 lbs.
76267	115.90	TC	5/8" Steel		1	0.10 lbs.
76272	124.60	TC	7/8" Steel		1	0.10 lbs.
76277	167.55	TC	1 1/8"	STEEL	1	0.20 lbs.
76282	166.35	TC	1 3/8"		1	0.30 lbs.
76287	180.15	TC	1 3/4"		1	0.50 lbs.
76292	96.75	TC	5/8" CI/DI		1	0.30 lbs.
76297	124.65	TC	7/8" CI/DI		1	0.50 lbs.
76302	199.80	TC	1 1/8"	CI/DI	1	0.20 lbs.
76307	219.65	TC	1 3/8"		1	0.60 lbs.
76317	118.40	TC	5/8" PVC		1	0.30 lbs.
76322	124.65	TC	7/8" PVC		1	0.50 lbs.
76327	149.90	TC	1 1/8"		1	0.80 lbs.
76332	165.25	TC	1 3/8"	PLASTIC	1	0.70 lbs.
76337	174.15	TC	1 3/4"		1	0.80 lbs.
76312	240.80	TC	1 3/4"		1	0.80 lbs.

6.6 - RT-3422 Accessories

76017	127.00	TC	RT3422 Tool Box		1	16.50 lbs.
76022	91.30	TC	Ratchet Wrench		1	2.20 lbs.
76027	48.15	TC	1/4" Coupon Retaining Bit		1	0.10 lbs.
76032	76.80	TC	3/8" Coupon Retaining Bit	PILOTS	1	0.20 lbs.
76037	55.65	TC	Small Adapter	HOLE SAW ARBORS	1	0.30 lbs.
76047	142.35	TC	Sml 5/8"-1 3/16"	SHAFT	1	1.20 lbs.
76052	138.60	TC	Lrg 1 5/16"-1 7/16"	EXTENSION	1	2.40 lbs.
76057	138.60	TC	CTS 3/4"		1	1.30 lbs.
76067	138.60	TC	CTS 1"		1	1.20 lbs.
76072	144.20	TC	CTS 1 1/4"		1	1.20 lbs.
76077	166.60	TC	CTS 1 1/2"		1	1.30 lbs.
76082	193.05	TC	CTS 2"		1	1.70 lbs.
76087	148.70	TC	NPT 3/4"	FEMALE ADAPTERS	1	0.80 lbs.
76092	148.70	TC	NPT 1"		1	0.90 lbs.
76097	144.20	TC	NPT 1 1/4"		1	0.90 lbs.

Cat. Page	Item No.	Resale Price	Disc. Code	Description	Std. Pack	Wt. (lbs.)
76102	166.60	TC	NPT 1 1/2"		1	1.10 lbs.
76107	193.05	TC	NPT 2"		1	1.40 lbs.
76132	144.20	TC	NPT 3/4"		1	1.60 lbs.
76137	144.20	TC	NPT 1"		1	1.70 lbs.
76142	144.20	TC	NPT 1 1/4"	MALE ADAPTERS	1	2.20 lbs.
76147	166.60	TC	NPT 1 1/2"		1	2.30 lbs.
76152	193.05	TC	NPT 2"		1	3.10 lbs.
83997	151.35	TC	3/4"	MUELLER	1	1.32 lbs.
84002	151.35	TC	1"	110	1	1.35 lbs.
84007	166.35	TC	1 1/2"	VALVE	1	1.50 lbs.
84012	204.45	TC	2"	ADAPTERS	1	1.37 lbs.

General Purpose Tools



7.2 - Forged Series Vises

66987	259.05	HS	F-45 4 1/2"		1	27.00 lbs.
66992	347.15	HS	F-50 5"	SWIVEL BASE	1	46.20 lbs.
66997	453.75	HS	F-60 6"		1	65.00 lbs.
69907	83.75	HS	F-45	SWIVEL BASE	1	3.10 lbs.
69912	106.20	HS	F-50/F-60	ASSY	1	4.20 lbs.
26648	295.95	HS	XF-45 4-1/2"	NEW!	1	27.00 lbs.
27848	395.95	HS	XF-50 5"	QUICK ACTING	1	46.20 lbs.

7.2 - Forged Series Magnetic Jaw Covers

69847	48.20	HS	F-45		1	0.51 lbs.
69852	49.55	HS	F-50	ALUMINUM	1	0.60 lbs.
69857	50.95	HS	F-60		1	0.65 lbs.
69862	52.45	HS	F-45		1	0.55 lbs.
69867	53.70	HS	F-50	FIBER	1	0.65 lbs.
69872	55.05	HS	F-60		1	0.70 lbs.
69877	52.20	HS	F-45		1	0.59 lbs.
69882	53.70	HS	F-50	SOFT-FACED	1	0.65 lbs.
69887	53.70	HS	F-60		1	0.75 lbs.



7.3 - Forged Anvils

69622	680.50	HS	Model 5		1	77.00 lbs.
69632	1240.95	HS	Model 9		1	165.00 lbs.
69642	1892.85	HS	Model 12		1	275.00 lbs.

Levels



7.3 - Levels

87107	37.60	HC	724 Top Read 24" Alum.		1	1.40 lbs.
-------	-------	----	------------------------	--	---	-----------

Cat. Page	Item No.	Resale Price	Disc. Code	Description	Std. Pack	Wt. (lbs.)
-----------	----------	--------------	------------	-------------	-----------	------------

20233 21.25 HC Nightshade 9" Torpedo 1 0.50 lbs.

Hammers



7.4 - Hammers

52475	36.00	HC	16 Oz. Curved		4	1.56 lbs.
52480	40.90	HC	20 Oz. Curved	CLAW	4	1.88 lbs.
52485	36.00	HC	16 Oz. Ripping	HAMMER	4	1.62 lbs.
52490	40.90	HC	20 Oz. Ripping		4	1.62 lbs.
52450	23.35	HC	012 12 Oz.		6	1.06 lbs.
52455	25.10	HC	016 16 Oz.		6	1.31 lbs.
52465	30.20	HC	024 24 Oz.	BALLPEIN	6	2.00 lbs.
52470	30.20	HC	032 32 Oz.		6	2.56 lbs.
52495	44.35	HC	250 2 1/2 lb.	SHORT	4	3.13 lbs.
52505	37.55	HC	303 3 lb.	SLEDGE	4	3.25 lbs.

Saws



7.5 - Hand Saws

20238	20.50	HS	212 ProArc 12"	HACKSAW	1	1.00 lbs.
50522	22.50	HS	1205 18"	PVC / ABS PIPE	1	0.87 lbs.
50532	13.15	HS	1205-2 18"	REPLACEMENT BLADES	1	0.44 lbs.

7.5 - Hack Saw Blades (10 Pack)

35900	8.50	HS	1024-A 10"		1	0.37 lbs.
35910	9.25	HS	1218-A 12"		1	0.44 lbs.
35915	9.25	HS	1224-A 12"	STANDARD	1	0.44 lbs.
35920	9.25	HS	1232-A 12"		1	0.44 lbs.
93785	18.20	HS	1218-BM 12"	BI-METAL	1	0.44 lbs.
93790	18.20	HS	1224-BM 12"	HIGH SPEED	1	0.44 lbs.

7.5 - Hack Saw Blades (100 Pack)

57577	75.95	HS	1218-A 12"		1	4.25 lbs.
57582	75.95	HS	1224-A 12"	STANDARD	1	4.31 lbs.
56847	142.40	HS	1218-BM	BI-METAL	1	4.56 lbs.
56852	160.20	HS	1224-BM	HIGH SPEED	1	4.50 lbs.

Cat. Page	Item No.	Resale Price	Disc. Code	Description	Std. Pack	Wt. (lbs.)
-----------	----------	--------------	------------	-------------	-----------	------------

Tool Boxes



7.6 - Tool Boxes

33085 77.60 HC 606 Std Shape 1 13.81 lbs.

Tapes



7.6 - Tapes

20213	19.20	HC	16' x 3/4"		1	1.00 lbs.
20218	22.95	HC	25' x 1"	ENGLISH	1	1.00 lbs.
20208	22.60	HS	100'		1	1.00 lbs.

Rules



7.7 - Rules

73365	17.50	HC	1619 6'		6	0.38 lbs.
73370	17.50	HC	1619F 6'		6	0.37 lbs.
73360	21.25	HC	1620 6'	FIBERGLASS	6	0.44 lbs.
81280	14.80	HC	1602 Metric		6	0.25 lbs.



7.7 - Screwdrivers★

16573 8.25 HS 6 in 1 Screwdriver w/Display 12 0.42 lbs.

Cat. Page	Item No.	Resale Price	Disc. Code	Description	Std. Pack	Wt. (lbs.)
7.8 - Pliers						
16458	11.60	HS	767	8" Slip Joint	2	1.00 lbs.
16483	19.45	HS	761	7" Wide Jaw	2	1.00 lbs.
16488	17.30	HS	766	8" Long Nose	2	1.00 lbs.
16493	26.85	HS	763	9" Linesman	2	1.00 lbs.
62347	13.00	HS	707	7-1/2"	2	0.40 lbs.
62352	16.95	HS	709	9-1/2"	2	0.90 lbs.
16468	19.70	HS	710	10-1/2"	2	1.00 lbs.
16473	33.25	HS	713	13"	2	2.00 lbs.
62362	44.35	HS	716	16"	1	3.50 lbs.
80475	17.95	HC	734	10" WATER PUMP	6	0.88 lbs.



- Tongue & Groove Pliers w/Display★

18628	19.70	HS	10-1/2"	20	1.10 lbs.
-------	-------	----	---------	----	-----------



- Hand Tool Kit

20243	224.95	HS	12 Piece Toolkit w/Case	1	11.00 lbs.
-------	--------	----	-------------------------	---	------------

Kit Includes Pliers, Adjustable Wrenches, Diagonal Cutters, and 6 in 1 Screwdriver

Cat. Page	Item No.	Resale Price	Disc. Code	Description	Std. Pack	Wt. (lbs.)
Snips						
7.9 - Snips						
54085	15.75	HC	780	7"	3	0.54 lbs.
54090	18.35	HC	781	10"	6	1.04 lbs.
54095	23.00	HC	782	12"	6	1.71 lbs.
54100	16.35	HC	783	7"	6	0.50 lbs.
54105	19.95	HC	784	10"	6	0.92 lbs.
54110	25.05	HC	785	12"	6	1.63 lbs.
15838	20.40	HC	798	Bulldog Aviation	3	1.00 lbs.
54115	23.45	HC	786	Cuts Right	6	0.94 lbs.
54120	23.45	HC	787	Cuts Left	6	0.94 lbs.
54125	23.45	HC	788	Cuts Straight	6	0.94 lbs.
54130	23.30	HC	789	Wire Cut	6	0.25 lbs.
16202	27.00	HC	796	Cuts Right	1	1.00 lbs.
16207	26.80	HC	797	Cuts Left	1	1.00 lbs.
14993	56.75	HC	799	Hardwire	3	2.00 lbs.



7.10 - Manual Knockout Kits

31787	167.85	HC	R735BB	1/2"-1 1/4"	1	4.50 lbs.
31792	173.90	HC	R737BB	1 1/2"-2"	1	5.87 lbs.
31797	353.45	HC	R379BB	1/2"-2"	1	10.00 lbs.



7.10 - Hydraulic Knockout Kits w/ Case

31787	167.85	HC	R735BB	1/2"-1 1/4"	1	4.50 lbs.
31792	173.90	HC	R737BB	1 1/2"-2"	1	5.87 lbs.
31797	353.45	HC	R379BB	1/2"-2"	1	10.00 lbs.

23477	1000.00	HC	HKO-186	1/2"-2"	1	32.00 lbs.
24587	1827.25	HC	HKO-1810	1/4"-4"	1	61.75 lbs.

7.11 - Knockout Punch & Die Set

23487	335.70	HC	KOPD-52	1/2" - 1-1/2"	1	8.25 lbs.
23492	916.75	HC	KOPD-254	2-1/2" - 3 1/2"	1	29.00 lbs.

Cat. Page	Item No.	Resale Price	Disc. Code	Description	Std. Pack	Wt. (lbs.)
7.10 - Manual / Hydraulic Knockout Accessories						
31802	25.95	HC		3/8" Ball Bearing Bolt	3	0.50 lbs.
31807	36.05	HC		3/4" Ball Bearing Bolt	2	1.44 lbs.
31817	71.45	HC		5/8" x 1" Ratchet Wrench	1	1.94 lbs.
21857	124.20	HC		10' Hyd Hose (Ft. Pump)	1	4.00 lbs.
21857	124.20	HC		10' Hyd Hose (Ft. Pump)	1	4.00 lbs.
<hr/>						
24542	383.20	HC		H-18 Hand Pump	1	10.00 lbs.
24537	557.80	HC		8R111S Ram	1	6.25 lbs.
24582	35.30	HC		Spacer Group	1	1.25 lbs.
17602	6.60	HC		3/8" Draw Bolt	1	0.50 lbs.
17597	31.40	HC		3/4" Draw Bolt	4	2.25 lbs.
21847	51.00	HC		3' Hyd Hose (Hand Pump)	1	2.87 lbs.
21857	124.20	HC		10' Hyd Hose (Ft. Pump)	1	4.00 lbs.

7.11 - Knockout Punch

17497	17.30	HC		1/2"	3	0.31 lbs.
17502	19.30	HC		3/4"	3	0.44 lbs.
17507	21.50	HC		1"	3	0.75 lbs.
17512	23.50	HC		1-1/4"	3	1.25 lbs.
17517	33.65	HC		1-1/2"	3	2.13 lbs.
17522	41.05	HC		2"	3	1.25 lbs.
17527	71.95	HC		2-1/2"	2	3.12 lbs.
17532	90.40	HC		3"	2	4.87 lbs.
17537	162.30	HC		3-1/2"	1	3.13 lbs.
17542	224.50	HC		4"	1	4.75 lbs.

7.11 - Knockout Die

17547	11.10	HC		1/2"	3	0.94 lbs.
17552	10.60	HC		3/4"	3	0.63 lbs.
17557	12.00	HC		1"	3	0.94 lbs.
17562	13.85	HC		1-1/4"	3	1.37 lbs.
17567	24.55	HC		1-1/2"	3	2.13 lbs.
17572	31.40	HC		2"	3	1.00 lbs.
17577	60.20	HC		2-1/2"	2	3.12 lbs.
17582	78.45	HC		3"	2	5.13 lbs.
17587	128.10	HC		3-1/2"	1	2.75 lbs.
17592	195.45	HC		4"	1	3.87 lbs.



7.11 - Cable Cutter

83350	301.95	HS		1380 Cable Cutter	1	4.69 lbs.
-------	--------	----	--	-------------------	---	-----------

Bolt Cutters



7.12 - Bolt Cutters

14213	63.80	HS	S14		1	3.00 lbs.
14218	72.65	HS	S18		1	4.00 lbs.

Cat. Page	Item No.	Resale Price	Disc. Code	Description	Std. Pack	Wt. (lbs.)
14223	86.10	HS	S24	CENTER CUT	1	7.00 lbs.
14228	112.00	HS	S30	CUT	1	9.00 lbs.
14233	146.10	HS	S36		1	15.00 lbs.
14238	195.40	HS	S42		1	21.00 lbs.

7.12 - Replacement Head Assemblies

18363	39.35	HC	S14		1	1.00 lbs.
18368	45.45	HC	S18		1	2.00 lbs.
18373	53.60	HC	S24	CENTER CUT	1	2.00 lbs.
18378	72.05	HC	S30	CUT	1	3.00 lbs.
18383	93.10	HC	S36		1	5.00 lbs.
18388	134.05	HC	S42		1	7.00 lbs.

Cable Trimmer



7.12 - Cable Trimmer

54135	436.35	HC		87 ACSR Cable Trimmer	1	5.70 lbs.
-------	--------	----	--	-----------------------	---	-----------

7.12 - Cable Trimmer Bushings

54440	271.60	HS	E5761		1	1.15 lbs.
54445	271.60	HS	E5762		1	1.15 lbs.
54450	271.60	HS	E5763		1	1.15 lbs.
54465	271.60	HS	E5766		1	1.12 lbs.
54480	271.60	HS	E5769		1	1.08 lbs.
54500	271.60	HS	E5773		1	1.03 lbs.
54520	271.60	HS	E5777		1	1.01 lbs.
54540	271.60	HS	E5781		1	0.96 lbs.
54575	271.60	HS	E5788		1	1.12 lbs.

Shovels



7.13 - Shovels

52300	34.80	HC		170 Long Hdle	6	4.13 lbs.
50482	39.70	HC		170-FG	1	4.60 lbs.
52310	38.60	HC		172 "D" Hdle	6	4.25 lbs.
<hr/>						
52305	36.05	HC		171 Long Hdle	6	5.00 lbs.
50487	39.70	HC		171-FG	1	4.80 lbs.
52315	37.35	HC		173 "D" Hdle	6	4.50 lbs.
<hr/>						
52320	39.85	HC		174 Drain Spade	6	4.00 lbs.
88680	41.00	HC		176 "D" Hdle. Scoop	6	7.45 lbs.
50492	35.80	HC		177 Long Hdle. Trench	1	3.20 lbs.

7.13 - Replacement Handles

52345	14.50	HC		191 Long	6	1.38 lbs.
-------	-------	----	--	----------	---	-----------

Cat. Page	Item No.	Resale Price	Disc. Code	Description	Std. Pack	Wt. (lbs.)
-----------	----------	--------------	------------	-------------	-----------	------------

Screw Extractors



7.14 - Screw Extractors/Sets

35535	5.35	HC	1		1	0.03 lbs.
35540	6.25	HC	2		1	0.04 lbs.
35545	6.50	HC	3		1	0.07 lbs.
35550	6.30	HC	4		1	0.10 lbs.
35555	7.45	HC	5	SCREW EXTRACTOR	1	0.14 lbs.
35560	16.40	HC	6	W/TURN-NUT	1	0.18 lbs.
35565	17.15	HC	7		1	0.25 lbs.
35570	18.95	HC	8		1	0.42 lbs.

35575	23.30	HC	3		1	0.33 lbs.
35580	29.90	HC	5	SCREW EXTRACTOR	1	0.43 lbs.
35585	90.80	HC	10	SETS	1	1.25 lbs.
35590	477.30	HC	25		1	9.29 lbs.

35695	21.30	HC	Model 10 Box Only		1	0.35 lbs.
-------	-------	----	-------------------	--	---	-----------

7.15 - High Speed Twist Drill

35720	4.45	HC	1 1/8"		1	0.01 lbs.
35725	5.40	HC	2 3/16"		1	0.02 lbs.
35730	9.40	HC	3 1/4"		1	0.04 lbs.
35735	12.90	HC	4 5/16"		1	0.07 lbs.
35740	13.80	HC	5 11/32"		1	0.09 lbs.
35745	24.55	HC	6 7/16"		1	0.15 lbs.
35750	28.70	HC	7 1/2"		1	0.20 lbs.
35755	45.40	HC	8 5/8"		1	0.31 lbs.
35760	22.30	HC	36 1/4"		1	0.06 lbs.

7.15 - Replacement Drill Guides (One-Piece Type)

35765	3.05	HC	921		1	0.01 lbs.
35770	3.05	HC	1021		1	0.03 lbs.
35775	3.05	HC	1121		1	0.02 lbs.
35780	3.05	HC	1221	DRILL GUIDE ONLY	1	0.03 lbs.
35785	2.80	HC	1321		1	0.03 lbs.
35790	3.05	HC	1421		1	0.03 lbs.
35795	3.60	HC	1521		1	0.04 lbs.
35800	3.05	HC	1621		1	0.05 lbs.
35805	3.75	HC	1721		1	0.04 lbs.



7.16 - Wire Cutters and Strippers

21393	18.60	HS	12-20/ 10-18 Stripper		6	1.00 lbs.
21398	18.60	HS	22-32/ 20-30 Stripper		6	1.00 lbs.
21403	18.60	HS	Stripper w/RR Crimper		6	1.00 lbs.
21408	21.40	HS	Crimper w/RR Stripper		6	1.00 lbs.
21413	44.20	HS	3 Piece Crimper/ Stripper Set		6	1.00 lbs.
21418	27.75	HS	Coax Cable Tool		6	1.00 lbs.
21423	20.00	HS	4 in 1 Multi-Use Cutter		6	1.00 lbs.
21428	34.35	HS	Fiber Optic Stripper		6	1.00 lbs.
21433	21.40	HS	10-2 Romex Stripper		6	1.00 lbs.
21438	21.40	HS	12-2/ 14-2 Romex Stripper		6	1.00 lbs.

Cat. Page	Item No.	Resale Price	Disc. Code	Description	Std. Pack	Wt. (lbs.)
-----------	----------	--------------	------------	-------------	-----------	------------



7.18 - Test and Measurement

23578	132.95	HC	IR-100 Microray Thermometer		1	1.00 lbs.
26148	279.95	HC	GS-100 Gas Sniffer		1	1.09 lbs.

Lever Benders



8.2 - Tube Benders

36962	118.20	HC	310 5/8"		1	6.31 lbs.
36972	126.05	HC	312 3/4"		1	7.19 lbs.
36942	90.40	HC	310M 10MM		1	4.37 lbs.
36947	96.80	HC	312M 12MM		1	4.37 lbs.
36952	112.10	HC	314M 14MM		1	6.50 lbs.
36957	125.80	HC	315M 15MM		1	6.50 lbs.
36962	118.20	HC	316M 16MM		1	6.31 lbs.
36967	133.55	HC	318M 18MM		1	8.50 lbs.

36117	64.90	HC	403 3/16" OD		1	1.56 lbs.
36122	59.40	HC	404 1/4" OD		1	1.50 lbs.
36092	74.00	HC	405 5/16" OD		1	2.87 lbs.
36097	64.25	HC	406 3/8" OD		1	3.00 lbs.
36132	109.25	HC	408 1/2" OD		1	6.00 lbs.
36112	60.00	HC	406M 6MM		1	1.50 lbs.
36092	74.00	HC	408M 8MM		1	2.87 lbs.
36102	66.55	HC	410M 10MM		1	2.75 lbs.
36127	108.50	HC	412M 12MM		1	6.75 lbs.

44852	38.70	HC	456 Tri-Bender 1/4", 5/16", 3/8"		1	1.06 lbs.
-------	-------	----	----------------------------------	--	---	-----------

Cat. Page	Item No.	Resale Price	Disc. Code	Description	Std. Pack	Wt. (lbs.)
-----------	----------	--------------	------------	-------------	-----------	------------



8.3 - 500 Series Lever Benders

51912	261.60	HC	506	3/8" Stainless Steel	1	3.81 lbs.
51917	285.75	HC	508	1/2" Stainless Steel	1	6.81 lbs.

Ratchet Benders/Conduit Benders



8.3 - Ratchet Lever-Type Tube Benders

35170	305.80	HC	358	5/8" OD	1	7.85 lbs.
35175	413.60	HC	368	3/4" OD	1	14.60 lbs.
35180	413.60	HC	378	7/8" OD	1	14.40 lbs.



8.4 - Spring-Type Tube Benders (Package of 6*)

35245	23.25	HC	D-1375	1/4" *	1	0.10 lbs.
35250	25.65	HC	D-1376	5/16**	1	0.15 lbs.
35255	29.45	HC	D-1377	3/8" *	1	0.21 lbs.
35260	29.45	HC	D-1378	7/16**	1	1.90 lbs.
35265	33.40	HC	D-1379	1/2" *	1	0.44 lbs.
35270	33.40	HC	D-1380	5/8" *	1	0.53 lbs.
35275	41.90	HC	D-1381	3/4" *	1	0.62 lbs.
35280	41.90	HC	D-1382	7/8" *	1	0.71 lbs.

35285	19.35	HC		1/4" - 5/8" Set	1	1.75 lbs.
35290	34.00	HC	E-5734	1/4"-7/8" Set	1	3.06 lbs.

8.4 - Thin Wall Conduit Benders

35215	31.65	HC	B-1677	1/2"	1	2.25 lbs.
35220	50.15	HC	B-1678	3/4"	1	4.25 lbs.
35225	76.90	HC	B-1679	1"	1	8.56 lbs.



8.4 - Heavy Wall Conduit Benders

35230	41.90	HC	B-1709	1/2"	1	2.68 lbs.
35235	44.15	HC	B-1711	1/2"-3/4"	1	2.50 lbs.
35240	97.50	HC	B-1712	1"-1 1/4"	1	8.40 lbs.

Cat. Page	Item No.	Resale Price	Disc. Code	Description	Std. Pack	Wt. (lbs.)
-----------	----------	--------------	------------	-------------	-----------	------------

Expanders



8.5 - Model S Tube Expanders

30032	351.45	HC	w/ 1/2", 5/8", 7/8" Heads		1	6.19 lbs.
34152	404.25	HC	w/ 3/8", 1/2", 3/4", 1" Heads	KITS	1	6.50 lbs.

15071	167.05	HC	Expander Handle		1	2.56 lbs.
58747	51.15	HC	Plastic Case		1	3.25 lbs.

10251	59.10	HC	3/8"		1	0.31 lbs.
10261	59.10	HC	1/2"		1	0.31 lbs.
10271	59.10	HC	5/8"		1	0.31 lbs.
10281	59.10	HC	3/4"		1	0.37 lbs.
10291	59.10	HC	7/8"		1	0.37 lbs.
10301	59.10	HC	1"	EXPANDER HEAD	1	0.44 lbs.
10311	59.10	HC	1-1/8"	HEAD	1	0.44 lbs.
10321	59.10	HC	1-1/4"		1	0.44 lbs.
10341	94.15	HC	1-1/2"		1	0.70 lbs.
10351	94.15	HC	1-5/8"		1	1.06 lbs.
10361	94.15	HC	1-3/4"		1	1.06 lbs.
51206	57.65	HC	1-3/8"		1	1.00 lbs.


Swaging Tools



8.5 - Swaging Tools

52420	34.25	HC	570 Kit - 4 Tools		1	1.00 lbs.
-------	-------	----	-------------------	--	---	-----------

52425	7.35	HC	562	1/4"	1	0.10 lbs.
52430	9.05	HC	563	3/8"	1	0.19 lbs.
52435	10.50	HC	564	1/2"	1	0.31 lbs.
52440	13.15	HC	565	5/8"	1	0.47 lbs.

Cat. Page	Item No.	Resale Price	Disc. Code	Description	Std. Pack	Wt. (lbs.)
						
8.6 - Flaring Tools						
83037	135.75	HC	458R	1/8" - 3/4"	1	4.60 lbs.
41295	299.85	HC	454-W	3/8" - 1"	1	6.56 lbs.
41300	299.85	HC	455	1/2" - 1"	1	6.81 lbs.
41162	115.70	HC	377	3/16" - 3/4"	1	3.25 lbs.
41285	299.85	HC	375	1/2" - 1"	1	6.12 lbs.
50257	122.25	HC	458MM	14 - 16MM	1	3.50 lbs.
23332	50.20	HC	345	3/16" - 5/8"	1	2.94 lbs.
23337	83.50	HC	345-DL	SCREW TYPE	1	4.00 lbs.
24797	75.70	HC	345	/ 150 Kit	1	4.63 lbs.
33927	103.60	HC	345-DL	/ 150 Kit	1	4.12 lbs.
23342	54.75	HC	345M	6 - 16MM	1	2.94 lbs.
24087	87.10	HC	345M/	150 Kit	1	5.50 lbs.
21193	107.15	HC	456	for R410A	1	37.00 lbs.


31597	8.05	HC	3/16"		1	0.03 lbs.
31602	8.05	HC	1/4"		1	0.03 lbs.
31607	8.05	HC	5/16"	DOUBLE LAP ADAPTER F/345	1	0.03 lbs.
31612	8.05	HC	3/8"		1	0.03 lbs.
31617	9.20	HC	1/2"		1	0.03 lbs.
41315	15.00	HC	E37	3/8"	1	0.15 lbs.
41320	11.90	HC	E45	1/2"	1	0.20 lbs.
41325	14.70	HC	E46	5/8"	1	0.37 lbs.
41330	15.00	HC	E47	3/4"	1	0.45 lbs.
41335	18.90	HC	E52	1"	1	0.75 lbs.
41340	31.25	HC	E61	1" - 1/4"	1	1.06 lbs.
41345	41.30	HC	E63	1" - 1/2"	1	1.42 lbs.
41350	65.65	HC	E64	2"	1	2.25 lbs.

Ratchet Tube Wrench



8.7 - Ratchet Tube Wrench

48592	26.50	HC	R5	5/16"	1	0.19 lbs.
48537	26.50	HC	R6	3/8"	1	0.19 lbs.
48542	26.50	HC	R7	7/16"	1	0.19 lbs.
48547	26.50	HC	R8	1/2"	1	1.00 lbs.
48552	26.50	HC	R9	9/16"	1	0.31 lbs.
48557	29.10	HC	R10	5/8"	1	0.31 lbs.
48562	29.10	HC	R11	11/16"	1	0.31 lbs.
48567	35.80	HC	R12	3/4"	1	0.31 lbs.
48572	35.80	HC	R13	13/16"	1	0.56 lbs.
48577	35.80	HC	R14	7/8"	1	0.56 lbs.
48582	39.20	HC	R15	15/16"	1	0.56 lbs.
48587	39.20	HC	R16	1"	1	0.56 lbs.
48597	131.20	HC	3/8" - 5/8"	5-pc Kit w/Pouch	1	1.37 lbs.

Cat. Page	Item No.	Resale Price	Disc. Code	Description	Std. Pack	Wt. (lbs.)
						

- Core Drilling Machines

98090	4393.65	HC	RB-214	115V WITH	1	143.50 lbs.
16372	4588.30	HC	RB-214	230V VAC BASE	1	143.50 lbs.

- Core Drilling Accessories for RB214 and RB215

98165	392.60	HC	Small	Anchor Base	1	19.63 lbs.
98100	681.25	HC	Anchor	Vacuum Base	1	37.50 lbs.
98095	1544.95	HC	Anchor	Vacuum Stand	1	86.00 lbs.
98105	635.00	HC	Vacuum	Motor, 115V	1	15.13 lbs.
16392	551.80	HC	Vacuum	Motor, 230V Exp	1	17.63 lbs.
98110	715.80	HC	Vacuum	Motor & Ftgs, 115V	1	18.19 lbs.
16397	608.45	HC	Vacuum	Motor & Ftgs, 230V	1	19.13 lbs.
98115	369.70	HC	Control	Panel, 115V	1	6.87 lbs.
16387	409.60	HC	Control	Panel, 230V	1	6.09 lbs.
98120	150.10	HC	2"	Spacer Block	1	5.00 lbs.
98125	2057.70	HC	20	Amp Motor, 115V	1	35.37 lbs.
16382	2208.90	HC	10	Amp Motor, 230V	1	35.81 lbs.
31360	63.55	HC	No.5	Strap Wrench	1	2.00 lbs.
98140	335.15	HC	Water	Collector/ 115V Pump	1	21.50 lbs.
16402	281.30	HC	Water	Collector / 230V Pump	1	21.75 lbs.
98145	103.90	HC	Water	Collector Ring	1	7.00 lbs.
98150	254.35	HC	Water	Pump 115 Volt	1	4.00 lbs.
98155	269.70	HC	Pressure	Tank: 8 Gal	1	10.50 lbs.
98130	60.90	HC	Spindle	Wrench	1	2.13 lbs.

- Bit Extension Rods and Adapters

98700	63.90	HC	Length	4" 1 3/4" - Up	1	2.00 lbs.
98690	50.20	HC	Length	6" 1" - 1 1/2"	1	1.37 lbs.
98705	71.50	HC	Length	6" 1 3/4" - Up	1	3.13 lbs.
98695	74.00	HC	Length	12" 1" - 1 1/2"	1	2.63 lbs.
98710	86.95	HC	Length	12" 1 3/4" - Up	1	5.06 lbs.
98715	52.60	HC	1 1/4"-7"	Box to 5/8-11" Pin	1	1.50 lbs.
98720	89.85	HC	5/8"-11"	Box to 1 1/4-7" Pin	1	1.56 lbs.



- Premium Segmented Diamond Core Bits

98170	174.30	HC	1/2"		1	1.63 lbs.
98175	176.85	HC	5/8"		1	1.13 lbs.
98180	185.65	HC	3/4"		1	1.19 lbs.
98185	198.65	HC	7/8"		1	1.25 lbs.
98190	207.40	HC	1"		1	1.44 lbs.
98195	214.55	HC	1 1/4"		1	1.87 lbs.
98200	243.80	HC	1 1/2"		1	2.50 lbs.
98205	280.20	HC	1 3/4"		1	2.87 lbs.
98210	300.20	HC	2"		1	3.50 lbs.
98215	333.10	HC	2 1/4"		1	4.00 lbs.
98220	339.75	HC	2 1/2"		1	4.50 lbs.
98225	352.40	HC	2 3/4"		1	5.50 lbs.

Cat. Page	Item No.	Resale Price	Disc. Code	Description	Std. Pack	Wt. (lbs.)
98230	398.60	HC	3"		1	4.63 lbs.
98235	456.70	HC	3 1/2"		1	6.63 lbs.
98240	532.05	HC	4"		1	7.87 lbs.
98245	626.65	HC	4 1/2"		1	10.00 lbs.
98250	663.05	HC	5"		1	10.37 lbs.
98255	710.50	HC	5 1/2"		1	12.03 lbs.
98260	739.30	HC	6"		1	13.81 lbs.
98265	869.85	HC	6 1/2"		1	15.25 lbs.
98270	1087.05	HC	7"		1	16.13 lbs.
98275	1669.25	HC	8"		1	21.37 lbs.
98280	1377.25	HC	9"		1	28.13 lbs.
98285	1672.60	HC	10"		1	31.00 lbs.
98290	1848.50	HC	12"		1	41.25 lbs.
98295	2138.40	HC	14"		1	60.50 lbs.

- High Speed Prem Red Core Bits

51507	388.85	HC	2"		1	3.44 lbs.
51512	439.10	HC	2 1/2"		1	4.31 lbs.
51517	517.40	HC	3"		1	5.00 lbs.
51522	591.30	HC	3 1/2"		1	6.25 lbs.
51527	656.80	HC	4"		1	7.50 lbs.
51537	859.40	HC	5"		1	9.87 lbs.
51542	957.65	HC	6"		1	13.13 lbs.
51547	1501.90	HC	8"		1	20.00 lbs.
51557	2394.15	HC	12"		1	43.13 lbs.

- Reciprocating Saw Blades

51022	24.35	HS	D992 6T X 9	BI-METAL	1	0.37 lbs.
47087	28.15	HS	D990 6T X 12	FOR WOOD	1	0.56 lbs.
80520	10.80	HS	D988 18T X 2.5		1	0.06 lbs.
80500	10.30	HS	D984 14T X 4		1	0.03 lbs.
80505	12.90	HS	D985 14T X 6		1	0.05 lbs.
80480	10.30	HS	D980 18T X 4	BI-METAL	1	0.19 lbs.
80510	12.90	HS	D986 18T X 6	FOR METAL	1	0.05 lbs.
80485	10.30	HS	D981 24T X 4		1	0.25 lbs.
80515	12.90	HS	D987 24T X 6		1	0.25 lbs.
80545	10.70	HS	D998 10T X 6	CARBON	1	0.37 lbs.
80550	11.90	HS	D999 6T X 6 RGH	CARBON	1	0.05 lbs.
80555	21.10	HS	D1003 6T X 12 RGH	STEEL	1	0.11 lbs.
56892	18.60	HS	D993 Pkg 5 10T x 6	FOR WOOD	1	0.21 lbs.
56897	22.25	HS	D994 Pkg 5 10T x 8	& NON-FERROUS	1	0.30 lbs.

- Band Saw Blades (Packed 3 ctn)

53955	22.05	HS	E1261 8 TPI		1	0.13 lbs.
53960	22.05	HS	E1262 10 TPI		1	0.13 lbs.
53970	22.10	HS	E1264 18 TPI	932	1	0.13 lbs.
53965	22.05	HS	E1263 14 TPI	CARBON	1	0.13 lbs.
24597	22.85	HS	24 TPI		1	0.50 lbs.
24622	65.15	HS	10 TPI		1	0.50 lbs.
24627	65.15	HS	14 TPI	942	1	0.50 lbs.
24632	65.15	HS	18 TPI	BIMETAL	1	0.50 lbs.
24637	67.30	HS	24 TPI	BLADE	1	0.50 lbs.
81855	26.80	HS	E2842 10 TPI		1	0.38 lbs.
81860	26.80	HS	E2843 14 TPI	944	1	0.26 lbs.
81865	26.80	HS	E2844 18 TPI	CARBON	1	0.03 lbs.
81870	24.45	HS	E2845 24 TPI	STEEL BLADE	1	0.19 lbs.
24642	78.30	HS	10 TPI		1	0.50 lbs.
24647	78.40	HS	14 TPI	944	1	0.50 lbs.
24652	70.90	HS	18 TPI	BIMETAL	1	0.50 lbs.
24657	70.90	HS	24 TPI	BLADE	1	0.50 lbs.



- Wet / Dry Vacs

15813	110.00	HS	WD4050 5.0p H.P.		1	15.20 lbs.
22713	112.25	HS	WD4550 5.0p H.P.		1	20.00 lbs.
22718	129.40	HS	WD5500 5.0p H.P.		1	24.00 lbs.
96877	79.25	HS	WD0625 2.0p H.P.		1	17.00 lbs.
96887	126.25	HS	WD1245 5.0p H.P.		1	23.00 lbs.
18718	166.90	HS	WD1450 6.0p H.P.	115 VOLT	1	25.00 lbs.
96897	205.65	HS	WD1665 6.5p H.P.		1	30.00 lbs.
18723	231.75	HS	WD1850 16.5p H.P.		1	35.30 lbs.
22708	243.00	HS	WD1950 5.0p H.P.		1	39.00 lbs.
25648	381.45	HS	RV2400A 5.0p H.P.		1	37.00 lbs.
25653	425.05	HS	RV2600B 5.0p H.P.		1	39.00 lbs.
26458	108.10	HS	WD2450 18/24V	BATTERY	1	10.00 lbs.

- Portable Air Filtration System

72957	241.65	HS	AF2000 Port. Air Filtr Sys		1	14.70 lbs.
21113	309.40	HS	AM2500 Air Mover		1	40.00 lbs.

- Wet / Dry Vac Accessories

26593	38.15	HS	VT1780 1-7/8" Accessory Kit		1	1.00 lbs.
72887	7.60	HS	VT2501 Dusting Brush		1	0.22 lbs.
72932	5.95	HS	VT2502 Crevice Tool		1	0.22 lbs.
72937	5.75	HS	VT2503 Car Nozzle		1	0.19 lbs.
72897	19.35	HS	VT2507 RT 7" Vac Hose		1	2.39 lbs.
72902	11.75	HS	VT2508 Extension Wand		1	0.56 lbs.
72907	8.45	HS	VT2509 Utility Nozzle		1	0.22 lbs.
72912	10.00	HS	VT2510 Wet Nozzle		1	0.30 lbs.
72917	5.95	HS	VT2511 2 1/2" Hose Connector		1	0.09 lbs.
72922	13.80	HS	VT2514 14" Floor Brush		1	0.61 lbs.
72927	11.75	HS	VT2525 Noise Muffler		1	0.31 lbs.
26573	14.40	HS	VT2530 Carpet & Floor Nozzle		1	1.00 lbs.
26578	9.80	HS	VT2540 Claw Nozzle		1	2.76 lbs.
26588	4.90	HS	VT2560 Filter Nut		1	0.50 lbs.
26583	6.00	HS	VT2555 1-1/2" to 2-1/2" Adapter		1	1.00 lbs.
83892	43.50	HP	1 1/4" Vac Hose		1	1.84 lbs.
83727	20.35	HP	Tug-Along Hose		1	2.60 lbs.
26453	44.80	HS	VP2000 Pump		1	3.00 lbs.
83862	22.65	HP	VF3000 Pleated Paper Filter		1	0.56 lbs.
26643	26.15	HS	VF3500 Filter 3 Layer f/ WD4050		1	2.00 lbs.
72947	17.40	HS	VF4000 Std Pleated Paper Filter		1	0.87 lbs.
72952	24.40	HS	VF5000 High Eff 2-Stage Filter	Filters	1	1.03 lbs.
72962	12.35	HS	RF2001 Foam Filtr f/AF2000		1	0.41 lbs.
72967	36.80	HS	RF2002 Cone Filtr f/AF2000		1	0.50 lbs.

Cat. Page	Item No.	Resale Price	Disc. Code	Description	Std. Pack	Wt. (lbs.)
-----------	----------	--------------	------------	-------------	-----------	------------



9.2 - Pressure Test Pump

50557	434.30	HC	1450	Test Pump 725 PSI	1	15.81 lbs.
-------	--------	----	------	-------------------	---	------------



9.2 - Electric Soldering Gun

62862	991.00	HC	RT-175	1/4" - 3" 115V	1	34.95 lbs.
69762	622.60	HC	RT-100	1/4"-1 1/2" 115V	1	23.70 lbs.
70662	619.45	HC	RT-100	1/4" - 1 1/2" 230V	1	27.10 lbs.



9.3 - SuperFreeze™ Pipe-Freeze Tool

68967	3275.95	HC	SF-2500	Kit 115V	1	59.10 lbs.
68962	2970.00	HC	SF-2500	Kit - Export 230V	1	59.10 lbs.

9.3 - Pipe Freeze Accessories

65942	49.05	HC	Quick Grip	Clamp	1	1.07 lbs.
69707	10.85	HC	SF-2500	2 Velcro Straps	1	0.15 lbs.
69712	64.00	HC	SF-2500	3/4" CTS Bushing	1	0.20 lbs.
70652	65.95	HC	SF-2500	1-1/4" CTS Bushing	1	0.26 lbs.
69717	68.05	HC	SF-2500	2" CTS Bushing	1	0.35 lbs.
68857	51.20	HC	SF-2500	1/2" End Adapter	1	1.00 lbs.
68862	53.85	HC	SF-2500	3/4" End Adapter	1	1.00 lbs.
74946	19.05	HS	Freeezing	Gel	1	1.00 lbs.

Cat. Page	Item No.	Resale Price	Disc. Code	Description	Std. Pack	Wt. (lbs.)
-----------	----------	--------------	------------	-------------	-----------	------------



9.4 - Pipe Thawing Tools

62802	784.40	DC	KT-190		1	46.00 lbs.
62747	1012.90	DC	KT-200	115 VOLT	1	58.25 lbs.

9.4 - Pipe Thawing Tool Cables

62662	267.45	DC	Cable w/Clamp		1	12.75 lbs.
62812	42.15	DC	Series 3'	#2 AWG	1	1.44 lbs.
62772	142.95	DC	Extension 25'	#1/0 AWG	1	11.66 lbs.

Cat. Page	Item No.	Resale Price	Disc. Code	Description	Std. Pack	Wt. (lbs.)
-----------	----------	--------------	------------	-------------	-----------	------------

Cat. Page	Item No.	Resale Price	Disc. Code	Description	Std. Pack	Wt. (lbs.)
-----------	----------	--------------	------------	-------------	-----------	------------

**COMPACT SERIES PRESSING TOOL KITS
1" Max**



10.4 - 100-B Compact Battery Pressing Tool Kits w/ 2 Batteries, Charger, & Case (1" Max. Capacity)

16948	1270.15	PC	100-B Pressing Tool Only (No Batt, Charger, or Case)		1	14.00 lbs.
16993	1658.45	PC	100-B Pressing Tool Kit without Jaws		1	18.00 lbs.
83417	126.55	DP	115V Charger		1	2.00 lbs.
16953	2034.65	PC	100-B Kit 1/2"-1" ProPress®		1	25.00 lbs.
16988	2058.20	PC	100-B Kit 1/2"-1" Pureflow®(PEX)		1	26.00 lbs.
23893	2058.20	PC	100-B Kit 1/2"-1" ASTM F1807(PEX)		1	24.95 lbs.
25343	1790.55	PC	100-B Kit 3/8"-1" Murray Clamp (PEX)		1	21.00 lbs.
16818	94.30	PC	Carrying Case		1	9.00 lbs.
12683	130.00	PP	Battery 14.4V Accessories		1	2.10 lbs.



10.5 - Compact Pressing Jaws (1" Max. Capacity)

16958	141.30	PC	1/2" Jaw Assembly		1	2.00 lbs.
16963	141.30	PC	3/4" Jaw Assembly ProPress®		1	2.00 lbs.
16978	141.30	PC	1" Jaw Assembly		1	2.00 lbs.
17003	141.30	PC	3/8" Jaw Assembly		1	2.35 lbs.
17008	141.30	PC	1/2" Jaw Assembly		1	2.35 lbs.
19813	141.30	PC	5/8" Jaw Assembly		1	2.35 lbs.
17013	141.30	PC	3/4" Jaw Assembly PureFlow®		1	3.00 lbs.
17018	140.15	PC	1" Jaw Assembly (PEX)		1	2.55 lbs.
22683	178.40	PC	1-1/4" Jaw Assembly		1	3.00 lbs.
22688	197.35	PC	1-1/2" Jaw Assembly		1	2.75 lbs.
22953	140.15	PC	3/8" Jaw Assembly		1	2.00 lbs.
22958	140.15	PC	1/2" Jaw Assembly		1	2.00 lbs.
22963	140.15	PC	5/8" Jaw Assembly ASTM		1	2.00 lbs.
22968	140.15	PC	3/4" Jaw Assembly F 1807		1	2.00 lbs.
22973	140.15	PC	1" Jaw Assembly (PEX)		1	2.00 lbs.
22978	176.95	PC	1-1/4" Jaw Assembly		1	3.00 lbs.
24923	212.20	PC	3/8"-1"Jaw Assy. Murray Clamp(PEX)		1	3.00 lbs.



10.6 - RP330B Battery Pressing Tool w/ 2 Batteries, Charger, & Case

27928	1884.45	PC	RP330B Tool Only (No Case & Battery)		1	13.00 lbs.
27913	2474.85	PC	RP330B Tool w/ Batteries & Case		1	28.00 lbs.
27918	2815.40	PC	RP330B 1/2"- 1" w/ Batt. & Case		1	40.00 lbs.
27923	3310.65	PC	RP330B 1/2"- 2" w/ Batt. & Case		1	60.00 lbs.
27933	115.00	PC	RP330 Carrying Case		1	5.00 lbs.
27968	127.45	PC	18V Lithium Ion Battery		1	2.00 lbs.
27958	124.25	PC	115V Charger		1	2.00 lbs.



10.6 - RP330 Corded Pressing Tool

27953	1919.60	PC	RP330 Corded Tool Only (No Case)		1	9.00 lbs.
27938	2004.05	PC	RP330 Corded Pressing Tool w/ Case (No Jaws)		1	20.00 lbs.
27943	2291.45	PC	RP330 with 1/2" - 1" Jaws		1	32.00 lbs.
27948	2820.00	PC	RP330 w/ 1/2" - 2" Jaws		1	52.00 lbs.
27933	115.00	PC	RP330 Carrying Case		1	5.00 lbs.



10.8 - Standard Pressing Jaws - 2" Max. Capacity

76652	190.35	PC	1/2" Jaw Assembly		1	4.01 lbs.
76657	190.35	PC	3/4" Jaw Assembly		1	4.22 lbs.
76662	190.35	PC	1" Jaw Assembly		1	4.40 lbs.
76667	190.35	PC	1-1/4" Jaw Assembly ProPress®		1	4.64 lbs.
76672	244.10	PC	1-1/2" Jaw Assembly		1	6.40 lbs.
76677	267.25	PC	2" Jaw Assembly		1	9.75 lbs.
22653	189.90	PC	1/2" Jaw Assembly		1	4.01 lbs.
22658	189.90	PC	5/8" Jaw Assembly		1	4.25 lbs.
22663	189.90	PC	3/4" Jaw Assembly Pureflow®		1	4.22 lbs.
22668	189.90	PC	1" Jaw Assembly (PEX)		1	4.40 lbs.
22673	195.15	PC	1-1/4" Jaw Assembly		1	4.64 lbs.
22678	249.95	PC	1-1/2" Jaw Assembly		1	4.00 lbs.

Cat. Page	Item No.	Resale Price	Disc. Code	Description	Std. Pack	Wt. (lbs.)
-----------	----------	--------------	------------	-------------	-----------	------------



**10.9 - IVP Pressing Rings
(1/2" - 2" Capacity - Bronze Fittings)**

27423	1475.45	PC	V1 Kit 1/2" - 1-1/4"	Kit	1	10.00 lbs.
27428	992.55	PC	V2 Kit 1-1/2" - 2"	w/ Rings,	1	13.60 lbs.
28043	1475.45	PC	C1 Kit 1/2" - 1-1/4"	Actuator,	1	8.10 lbs.
28048	1733.10	PC	V1 / C1 Combo Kit 1/2" - 1-1/4"	& Case	1	12.80 lbs.
<hr/>						
27998	233.80	PC	1/2" Standard Ring		1	1.00 lbs.
28003	261.70	PC	3/4" Standard Ring		1	1.00 lbs.
28008	272.80	PC	1" Standard Ring		1	1.00 lbs.
28013	283.95	PC	1-1/4" Standard Ring	Rings	1	1.00 lbs.
28018	287.00	PC	1-1/2" Standard Ring		1	1.35 lbs.
28023	289.50	PC	2" Standard Ring		1	2.00 lbs.
<hr/>						
28033	530.00	PC	V1 Actuator		1	4.75 lbs.
26163	530.00	PC	C1 Actuator	Actuators	1	2.10 lbs.
21878	552.25	PC	V2 Actuator		1	7.00 lbs.
<hr/>						
28028	128.50	PC	Carrying Case 1/2" - 1-1/4" Rings		1	2.95 lbs.
28038	128.50	PC	Carrying Case 1-1/2" - 2" Rings		1	2.95 lbs.

**ProPress® XL-C
(Copper)**



10.9 - XL-C Pressing Rings For Use With ProPress® XL-C System (2-1/2" - 4" Max Capacity - Copper Fitting)

20483	2473.95	PC	2-1/2" - 4" Rings, Act. & Case Complete		1	42.00 lbs.
<hr/>						
20543	608.50	PC	2-1/2" XL-C		1	12.00 lbs.
20548	634.35	PC	3" XL-C	ProPress®	1	10.30 lbs.
20553	711.95	PC	4" XL-C		1	12.00 lbs.
<hr/>						
21878	552.25	PC	V2 Actuator		1	7.00 lbs.
21103	97.95	PC	XL-C Pressing Ring Carrying Case		1	10.00 lbs.

Cat. Page	Item No.	Resale Price	Disc. Code	Description	Std. Pack	Wt. (lbs.)
-----------	----------	--------------	------------	-------------	-----------	------------

**ProPress® XL
(Bronze)**



10.9 - XL Pressing Rings For Use With ProPress® XL System (2-1/2" - 4" Max. Capacity - Bronze Fittings)

93667	2473.95	PC	2 1/2" - 4" Rings, Act. & Case Comp.		1	37.00 lbs.
<hr/>						
93677	608.50	PC	2-1/2" XL		1	4.90 lbs.
93682	634.35	PC	3" XL	ProPress®	1	5.20 lbs.
93687	711.95	PC	4" XL		1	7.10 lbs.
<hr/>						
93692	550.15	PC	R2 Actuator		1	8.78 lbs.
16803	95.05	PC	XL Pressing Ring Carrying Case		1	7.95 lbs.



10.10 - PEX Manual Crimp Tools

23443	145.20	PC	3/8"		1	3.00 lbs.
23448	145.20	PC	1/2"		1	3.00 lbs.
23453	145.20	PC	5/8"	ASTM	1	3.00 lbs.
23458	145.20	PC	3/4"	F 1807	1	3.00 lbs.
23463	188.20	PC	1"	(PEX)	1	4.00 lbs.
23468	166.70	PC	1/2" & 3/4" Combo		1	4.00 lbs.
<hr/>						
23473	3.85	PC	3/8" - 3/4" Gauge		1	1.00 lbs.
23478	3.85	PC	1" Gauge	ASTM	1	1.00 lbs.
27898	88.95	PC	Manual PEX Ring Cutter	F 1807 (PEX)	1	1.00 lbs.
28433	18.90	PC	Blade f/ PEX Ring Cutter		1	0.20 lbs.
<hr/>						
27903	134.95	PC	Manual Clamp Tool	ASTM F2098 (PEX)	1	3.00 lbs.



- Pressing Accesories

24913	53.25	PC	606 Fittings Bag		1	2.00 lbs.
-------	-------	----	------------------	--	---	-----------

Cat. Page	Item No.	Resale Price	Disc. Code	Description	Std. Pack	Wt. (lbs.)
-----------	----------	--------------	------------	-------------	-----------	------------



- SeeSnake micro™ Camera

25643	249.90	HC	SeeSnake micro™ Camera	1	3.00 lbs.
26658	54.95	HC	3' Cable Extension	1	0.50 lbs.
26663	84.75	HC	Imager Head and Cable	1	1.00 lbs.
26668	17.75	HC	Mirror, Hook, & Magnet	1	0.02 lbs.
30068	115.75	HC	9.5MM Camera Head	1	1.00 lbs.



11.4 - SeeSnake Systems Black & White EIA (115V - 60HZ)

69722	9247.75	DC	200' w/ Monitor & VCR	1	93.44 lbs.
69732	10118.70	DC	325' w/ Monitor & VCR	1	104.84 lbs.
64232	8036.90	DC	200' w/ Monitor	1	80.00 lbs.
64247	8907.75	DC	325' w/ Monitor	1	91.10 lbs.
14038	6504.05	DC	200' Plus Reel	1	57.00 lbs.
14043	7374.95	DC	325' Plus Reel	1	65.00 lbs.

11.4 - Color SeeSnake Systems NTSC (115V - 60Hz)

73182	10913.85	DC	200' Color w/Monitor & VCR	1	103.00 lbs.
73187	11757.45	DC	325' Color w/Monitor & VCR	1	114.00 lbs.
23878	11393.85	DC	200' Color w/Monitor & DVD	1	90.00 lbs.
23883	12237.45	DC	325' Color w/Monitor & DVD	1	99.00 lbs.
14053	7103.90	DC	200' Plus Reel	1	57.00 lbs.
14058	7947.50	DC	325' Plus Reel	1	66.00 lbs.

Cat. Page	Item No.	Resale Price	Disc. Code	Description	Std. Pack	Wt. (lbs.)
-----------	----------	--------------	------------	-------------	-----------	------------

11.4 - Color Self-Leveling SeeSnakes NTSC

13958	11636.90	DC	200' Color w/Monitor & VCR	1	104.00 lbs.
13978	12486.65	DC	325' Color w/Monitor & VCR	1	114.00 lbs.
23868	12116.90	DC	200' Color w/Monitor & DVD	1	89.00 lbs.
23873	12966.65	DC	325' Color w/Monitor & DVD	1	99.00 lbs.

13988	7826.95	DC	200' Color Reel Only NTSC	1	56.00 lbs.
13998	8676.70	DC	325' Color Reel Only NTSC	1	66.00 lbs.

11.5 - Mini SeeSnake Systems EIA (115V - 60Hz)

67247	7280.15	DC	200' Mini w/ Monitor	1	54.10 lbs.
69752	8491.10	DC	200' Mini w/ Monitor & VCR	1	66.84 lbs.

14048	5747.35	DC	200' Plus Reel EIA	1	20.00 lbs.
-------	---------	----	--------------------	---	------------

11.5 - Mini Color SeeSnakes NTSC (115V - 60Hz)

83652	9757.15	DC	200' Color w/Monitor & VCR	1	77.00 lbs.
23888	10237.15	DC	200' Color w/Monitor & DVD	1	62.00 lbs.

14063	5947.20	DC	200' Plus Reel	1	29.00 lbs.
-------	---------	----	----------------	---	------------

11.5 - Accessories for SeeSnakes & Mini (B&W and Color)

69697	2696.85	DC	Monitor & VCR - EIA (115V)	1	39.84 lbs.
64217	1506.45	DC	Monitor - EIA (115V)	1	26.00 lbs.

73172	3809.95	DC	Monitor & VCR NTSC	1	35.00 lbs.
23668	4289.95	DC	LCD Monitor & DVD NTSC	1	33.00 lbs.

14068	1514.30	DC	115V EIA Plus B&W CAMERA HEADS	1	0.50 lbs.
14073	1490.60	DC	115V Mini EIA Plus HEADS	1	0.20 lbs.

14078	2344.55	DC	115V NTSC Plus COLOR CAMERA HEADS	1	0.30 lbs.
14083	1903.65	DC	115V Mini NTSC Plus CAMERA HEADS	1	0.02 lbs.
14028	3075.60	DC	115V Self-Leveling NTSC HEADS	1	2.00 lbs.

97852	105.05	DC	Std Sprg Clip Ball Guide	1	1.35 lbs.
97462	47.40	DC	Compact / FP Ball Guides 3"	1	0.90 lbs.
97832	53.55	DC	Std 3" Roller Dolly	1	3.00 lbs.

73142	425.45	DC	SeeSnake CountIR	1	2.00 lbs.
64607	2688.65	DC	200' 7/16" Push Cable Assy	1	29.90 lbs.
64612	3551.85	DC	325' 7/16" Push Cable Assy	1	40.63 lbs.
67327	2366.20	DC	200' Mini Push Cable Assy	1	17.00 lbs.
64497	93.85	DC	Std 3" Centering Guides,Pkg 20	1	1.00 lbs.
64502	93.85	DC	Std 6" Centering Guides,Pkg 10	1	0.60 lbs.
67312	93.85	DC	Mini Centering Guides,Pkg 20	1	0.90 lbs.
88392	77.85	DC	Mini-Ball Guide Kit	1	1.20 lbs.
95507	26.70	DC	Pkg of 6 Compact Guides	1	0.02 lbs.
64627	105.55	DC	Interconnect Cable - 33'	1	1.90 lbs.
67307	82.10	DC	Interconnect Cable - 10'	1	1.00 lbs.
12248	169.50	DC	Interconnect Cable w/Dubbing - 18'	1	1.00 lbs.

93387	16.05	DC	Std Guidehoops - Pkg of 4	1	0.50 lbs.
93392	16.05	DC	Mini Guidehoops - Pkg of 4	1	0.76 lbs.

Cat. Page	Item No.	Resale Price	Disc. Code	Description	Std. Pack	Wt. (lbs.)
-----------	----------	--------------	------------	-------------	-----------	------------



11.6 - SeeSnake Compact

93502	4520.70	DC	115V With Battery		1	34.50 lbs.
93507	4191.60	DC	115V Less Battery	BLACK &	1	27.90 lbs.
92707	3165.40	DC	Compact Reel 115V EIA	WHITE	1	22.00 lbs.
92712	1052.25	DC	Monitor Pack 115V EIA		1	8.50 lbs.

11.6 - SeeSnake Color Compact

95542	6090.40	DC	115V With Battery		1	32.00 lbs.
95537	5766.95	DC	115V Less Battery		1	28.00 lbs.
95527	3759.35	DC	Reel Only 115V		1	23.00 lbs.
95532	2040.05	DC	Monitor Pack Only 115V		1	6.10 lbs.

11.6 - SeeSnake FlatPack

93572	3769.15	DC	115V with Battery		1	29.06 lbs.
93262	3439.00	DC	115V Less Battery EIA	BLACK &	1	23.50 lbs.
92712	1052.25	DC	Monitor Pack 115V EIA	WHITE	1	8.50 lbs.
93267	2387.85	DC	FlatPack Reel 115V EIA		1	15.00 lbs.

11.6 - SeeSnake Color FlatPack

95577	5310.00	DC	115V With Battery NTSC		1	27.00 lbs.
95572	4985.40	DC	115V Less Battery		1	21.10 lbs.
95567	2933.40	DC	Color FlatPack Reel 115V		1	15.00 lbs.
95532	2040.05	DC	Monitor Pack Only 115V		1	6.10 lbs.



11.8 - NaviTrack

96967	2583.00	DC	NaviTrack II		1	17.10 lbs.
19238	1496.50	DC	Navitrack Scout		1	11.90 lbs.

11.10 - Locator Accessories

15323	691.25	DC	SeeSnake™ Transmitter		1	0.62 lbs.
15828	691.25	DC	Mini SeeSnake™ Transmitter		1	1.00 lbs.
16728	315.60	DC	Remote Transmitter, 512 HZ		1	0.40 lbs.
19793	160.80	DC	Float Sondes (2) w/ Batteries		1	2.00 lbs.
14818	1552.45	DC	NaviTrack Transmitter - 10 Watt		1	10.30 lbs.
20168	906.00	DC	NaviTrack Brick Transmitter - 5 Watt		1	6.00 lbs.
20503	503.90	DC	Clamp, Inductive Signal		1	5.00 lbs.

Cat. Page	Item No.	Resale Price	Disc. Code	Description	Std. Pack	Wt. (lbs.)
-----------	----------	--------------	------------	-------------	-----------	------------

19258	76.20	DC	For 1-1/4" Sectional Cable	REMOTE	1	0.25 lbs.
19263	76.20	DC	For 5/8" & 3/4" Drum Cable	TRANS	1	1.00 lbs.
19268	76.20	DC	For 7/8" Sec & 1/2" Drum	CBL	1	1.00 lbs.
19273	76.20	DC	For 5/8" Sec & 3/8" Drum	COUP	1	1.00 lbs.
12543	9.45	DC	Pkg of Marker Chips & Clip		1	1.00 lbs.
20248	103.35	DC	Scout Carrying Case		1	8.00 lbs.
22388	151.45	DC	NaviTrack II Carrying Case		1	5.00 lbs.

Utility Locating



11.12 - Utility Locating

21893	2583.00	UC	SR-20 Locator		1	17.00 lbs.
22163	3254.35	UC	SR-60 Locator		1	17.49 lbs.
21898	937.85	UC	5 Watt Transmitter		1	3.00 lbs.
21903	1875.75	UC	10 Watt Transmitter		1	10.00 lbs.
20973	507.35	UC	Inductive Signal Clamp		1	3.00 lbs.
22173	148.65	UC	SR-20 Carrying Case		1	11.00 lbs.
26168	2967.35	UC	ST33Q Transmitter		1	16.00 lbs.
29798	148.65	UC	SR-60 Carrying Case		1	5.00 lbs.

Cat. Page	Item No.	Resale Price	Disc. Code	Description	Std. Pack	Wt. (lbs.)	Cat. Page	Item No.	Resale Price	Disc. Code	Description	Std. Pack	Wt. (lbs.)
-----------	----------	--------------	------------	-------------	-----------	------------	-----------	----------	--------------	------------	-------------	-----------	------------

Pumps



- Submersible Sump Pumps

85942	190.30	DS	SP-330	1/3 HP	1	17.00 lbs.
85992	198.05	DS	SP-330D	1/3 HP w/ Switch	1	17.00 lbs.
85937	218.20	DS	SP-500	1/2 HP	1	20.00 lbs.
25428	135.00	DS	SP-330-P	Pump	1	25.00 lbs.
85952	204.70	DS	SP-500P	1/2 HP Pedestal	1	16.00 lbs.
25423	306.80	DS	SSP-1000	Pump	1	45.00 lbs.



- Pedestal Sump Pump

85952	204.70	DS	SP-500P	1/2 HP Pedestal	1	16.00 lbs.
-------	--------	----	---------	-----------------	---	------------



- Submersible Utility Pumps

85987	133.10	DS	TP250	1/4hp	1	8.00 lbs.
-------	--------	----	-------	-------	---	-----------



- Semi-Trash Pumps

85957	780.60	DS	TP-4000	4 HP	1	48.00 lbs.
85962	937.05	DS	TP-5500	5.5 HP	1	72.00 lbs.
90702	167.65	DS	2" f/TP-4000	Pump	HOSE	1 28.00 lbs.
90707	447.95	DS	3" f/TP-5500	Pump	KITS	1 53.00 lbs.



- Sewage Pumps

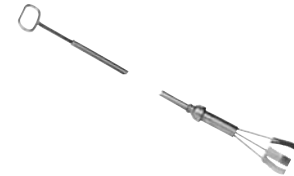
85967	271.10	DS	SEP-500	1/2 HP	1	24.00 lbs.
-------	--------	----	---------	--------	---	------------

Drain Cleaning Equipment



12.4 - Toilet Augers

59787	30.75	DC	K-3 w/ Bulb Head	6	4.25 lbs.
59792	38.20	DC	K-3DH w/ Drop Head	6	4.44 lbs.
59797	50.70	DC	K-6 w/ Bulb Head	6	5.39 lbs.
59802	57.05	DC	K-6DH w/ Drop Head	6	5.81 lbs.



12.4 - Grappler Hook

59190	201.25	DC	K-5 Grappler Hook	1	5.00 lbs.
-------	--------	----	-------------------	---	-----------



12.5 - One Piece Flat Sewer Tapes

62530	50.40	DC	E-2724	1/2" x 25'	1	3.00 lbs.
62535	64.60	DC	E-2725	1/2" x 50'	1	6.00 lbs.
62540	84.55	DC	E-2726	1/2" x 75'	1	9.00 lbs.
62545	108.00	DC	E-2727	1/2" x 100'	1	12.00 lbs.
62555	84.55	DC	E-2729	3/4" x 50'	1	8.00 lbs.
62565	141.00	DC	E-2731	3/4" x 100'	1	18.00 lbs.
62595	141.00	DC	E-2737	3/4" x 50'	1	15.50 lbs.
62605	254.05	DC	E-2739	3/4" x 100'	1	34.00 lbs.
62615	187.85	DC	E-2741	1" x 50'	1	22.00 lbs.
62625	340.45	DC	E-2743	1" x 100'	1	55.00 lbs.

Cat. Page	Item No.	Resale Price	Disc. Code	Description	Std. Pack	Wt. (lbs.)
-----------	----------	--------------	------------	-------------	-----------	------------



12.5 - Cable Rust Lubricant

59987	26.90	DS	1 Gal.	Rust Inhibitor	1	7.44 lbs.
-------	-------	----	--------	----------------	---	-----------



12.6 - K-26 Hand Spinners

59812	79.25	DC	K-26 w/ C-1 Cable		1	8.75 lbs.
-------	-------	----	-------------------	--	---	-----------

12.6 - K-25 Hand Spinners

58890	126.50	DC	K-25-BP w/ C-1-IC Cable		1	8.00 lbs.
58895	139.75	DC	K-25-DH w/ C-2-IC Cable		1	8.00 lbs.

- Hand Spinners

88387	45.25	DC	Power Spin		1	6.00 lbs.
14013	11.65	DS	Power Spin Cable		1	3.00 lbs.
15733	28.30	DC	Kwik-Spin		1	4.00 lbs.



12.7 - Auto-Spin Drain Cleaner

19148	144.25	DC	115V Drain Cleaner		1	13.40 lbs.
21338	22.05	DS	1/4" x 30' Cable		1	3.00 lbs.



12.8 - K-39 Drain Cleaners

68057	327.70	DC	K-39 w/ C-1-IC Cable		1	13.38 lbs.
68062	369.10	DC	K-39 -1		1	26.00 lbs.

Cat. Page	Item No.	Resale Price	Disc. Code	Description	Std. Pack	Wt. (lbs.)
-----------	----------	--------------	------------	-------------	-----------	------------

68067	480.85	DC	K-39 -5	115 VOLT	1	33.20 lbs.
68072	553.55	DC	K-39 -7		1	42.00 lbs.
68137	346.75	DC	K-39B		1	14.80 lbs.
68142	419.30	DC	K-39B-1		1	27.70 lbs.
68172	413.75	DC	K-39C-1 w/Carry Case		1	27.00 lbs.

68097	341.40	DC	K-39 w/C-1-IC Cable	230 VOLT	1	14.45 lbs.
68102	386.10	DC	K-39-1		1	26.25 lbs.
68112	564.80	DC	K-39-7		1	41.10 lbs.



12.8 - K-39AF With Autofeed

21888	363.05	DC	K-39 AF	115V	1	15.00 lbs.
23508	406.90	DC	K-39 AF-1		1	26.00 lbs.
23513	516.20	DC	K-39 AF-5		1	34.00 lbs.
23518	587.50	DC	K-39 AF-7		1	42.00 lbs.

23523	452.55	DC	K-39B AF-1	BATTERY UNIT	1	28.00 lbs.
-------	--------	----	------------	--------------	---	------------

12.9 - K-39 Cables

62225	47.00	DS	C-1 25'		1	3.70 lbs.
56782	49.00	DS	C-1 IC 25'		1	4.40 lbs.
89400	84.55	DS	C-21 50'		1	7.50 lbs.
56792	64.30	DS	C-13IC 35'	W/ BULB	1	5.75 lbs.
50647	27.25	DS	S-1 15'	AUGER	1	2.10 lbs.
50652	43.35	DS	S-2 25'		1	3.45 lbs.
50657	56.90	DS	S-3 35'		1	4.95 lbs.

62235	58.80	DS	C-2 25'		1	3.50 lbs.
56787	61.90	DS	C-2-IC 25'	W/ DROP	1	4.37 lbs.
89405	93.00	DS	C-22 50'	HEAD AUGER	1	7.00 lbs.
56797	76.75	DS	C-23-IC 35'		1	6.00 lbs.

62245	58.20	DS	C-4 25' w/ Male Coupling		1	5.62 lbs.
62250	71.70	DS	C-5 35' w/ Bulb Auger		1	7.31 lbs.
62260	80.45	DS	C-6 35' w/ Male Coupling		1	7.81 lbs.
96037	81.05	DS	C-6IC 35' w/Male Coupling		1	7.50 lbs.

12.9 - K-39 Tools - Fits C-4 and C-6

62990	14.85	DS	T-201 5" Straight		1	0.21 lbs.
62995	14.30	DS	T-202 1-1/8" Bulb		1	0.18 lbs.
63000	14.30	DS	T-203 7/8" Bulb O.D.		1	0.25 lbs.
55457	18.65	DS	T-225 Retrieving	AUGER	1	0.13 lbs.
62067	14.85	DS	T-201A Straight Flex		1	0.16 lbs.
63065	15.50	DS	T-217 4" Drop Head		1	0.18 lbs.
63010	14.85	DS	T-206 3" Funnel		1	0.19 lbs.

54837	12.45	DS	T-204 1"		1	0.09 lbs.
63005	14.30	DS	T-205 1-3/8"	"C" CUTTER	1	0.09 lbs.

63030	15.50	DS	T-210 1"		1	0.13 lbs.
63035	15.50	DS	T-211 1-5/8"	GREASE	1	0.13 lbs.
63040	16.85	DS	T-212 1-3/4"	CUTTER	1	0.11 lbs.

63045	23.55	DS	T-213 1"		1	0.13 lbs.
63050	25.75	DS	T-214 1-3/8"	4-BLADE	1	0.19 lbs.
63055	27.30	DS	T-215 1-3/4"	CUTTER	1	0.19 lbs.

63020	18.65	DS	T-208 1-1/2"	SPIRAL	1	0.19 lbs.
63025	20.45	DS	T-209 2"	CUTTER	1	0.19 lbs.

63060	111.65	DS	T-216 2"		1	0.44 lbs.
-------	--------	----	----------	--	---	-----------

63280	90.50	DS	T-218 3"		1	0.62 lbs.
-------	-------	----	----------	--	---	-----------

Cat. Page	Item No.	Resale Price	Disc. Code	Description	Std. Pack	Wt. (lbs.)
63070	84.95	DS	T-219	2-1/2" FLUE BRUSH	1	0.56 lbs.
63080	78.80	DS	T-220	2" FLUE BRUSH	1	0.50 lbs.
63220	72.55	DS	T-221	1-1/2" FLUE BRUSH	1	0.45 lbs.
52812	19.85	DS	T-230	2" H-D "C" CUTTER	1	0.25 lbs.
52817	21.05	DS	T-231	2-1/4" H-D "C" CUTTER	1	0.28 lbs.
52822	22.25	DS	T-232	3" H-D "C" CUTTER	1	0.53 lbs.
48482	54.60	DS	T-250	TOOL SET	1	0.50 lbs.
12128	28.45	DS	T-240	TOOL SET	1	1.00 lbs.
54832	6.25	DS	For T-204	REPL. BLADES	1	0.31 lbs.
97835	6.25	DS	For T-205	REPL. BLADES	1	0.09 lbs.
97905	5.65	DS	For T-210	REPL. BLADES	1	0.09 lbs.
97825	6.50	DS	For T-211	REPL. BLADES	1	0.09 lbs.
92850	7.50	DS	For T-212	REPL. BLADES	1	0.06 lbs.
97795	10.80	DS	For T-213	REPL. BLADES	1	0.13 lbs.
97910	13.00	DS	For T-214	REPL. BLADES	1	0.13 lbs.
97915	16.10	DS	For T-215 Set	REPL. BLADES	1	0.16 lbs.
92815	8.05	DS	For T-411	REPL. BLADES	1	0.06 lbs.
92820	8.65	DS	For T-412	REPL. BLADES	1	0.09 lbs.
92835	9.70	DS	For T-403B 3" P-Trap	REPL. BLADES	1	0.13 lbs.
98000	28.25	DC	Set of chains w/pins		1	0.13 lbs.

12.9 - K-39 Drain Cleaners Accessories

68917	19.90	DP	Drum Liner	1	1.10 lbs.
89410	74.35	DS	K38/39 Toolbox	1	14.80 lbs.
23908	241.80	DS	K-39 AF Feed Assembly	1	4.00 lbs.
55242	75.65	DP	K-39 Chuck Kit	1	1.30 lbs.
55247	60.30	DP	K-39 Chuck Only (13/16-20)	1	0.63 lbs.
67962	110.75	DS	A-39PF AutoFeed Assy f/ K-39	1	1.40 lbs.
76817	117.00	DS	C-6 Cable Kit	1	8.55 lbs.
98072	118.05	DS	C-6IC Cable Kit	1	8.00 lbs.



12.10 - K-40 Sink Machine

78347	720.10	DC	K-40B W/Battery & Charger	1	32.00 lbs.	
71722	693.40	DC	K-40GPF w/C-13ICSB, GHPF	1	35.52 lbs.	
71702	539.50	DC	K-40 w/C-13IC	115V	1	32.30 lbs.

12.11 - K-40 Cables

62225	47.00	DS	C-1 25'	1	3.70 lbs.	
56782	49.00	DS	C-1 IC 25'	1	4.40 lbs.	
89400	84.55	DS	C-21 50'	W/BULB	1	7.50 lbs.
95847	64.30	DS	C-13ICSB (Speedbump)	AUGER	1	6.40 lbs.
56792	64.30	DS	C-13IC 35'		1	5.75 lbs.
62235	58.80	DS	C-2 25'		1	3.50 lbs.
56787	61.90	DS	C-2-IC 25'	W/DROP HEAD	1	4.37 lbs.
89405	93.00	DS	C-22 50'	AUGER	1	7.00 lbs.
56797	76.75	DS	C-23-IC 35'		1	6.00 lbs.
62245	58.20	DS	C-4 25' w/ Male Coupling		1	5.62 lbs.

Cat. Page	Item No.	Resale Price	Disc. Code	Description	Std. Pack	Wt. (lbs.)
62250	71.70	DS	C-5 35' w/ Bulb Auger		1	7.31 lbs.
62260	80.45	DS	C-6 35' w/ Male Coupling		1	7.81 lbs.
96037	81.05	DS	C-6IC 35' w/Male Coupling		1	7.50 lbs.

12.11 - K-40 Tools - Fits C-4 and C-6

62995	14.30	DS	T-202 1-1/8" Bulb		1	0.18 lbs.
63000	14.30	DS	T-203 7/8" Bulb O.D.		1	0.25 lbs.
55457	18.65	DS	T-225 Retrieving	AUGER	1	0.13 lbs.
63065	15.50	DS	T-217 4" Drop Head		1	0.18 lbs.
63010	14.85	DS	T-206 3" Funnel		1	0.19 lbs.
54837	12.45	DS	T-204 1"		1	0.09 lbs.
63005	14.30	DS	T-205 1-3/8"	"C" CUTTER	1	0.09 lbs.
63020	18.65	DS	T-208 1-1/2"	SPIRAL CUTTER	1	0.19 lbs.
63025	20.45	DS	T-209 2"	SPIRAL CUTTER	1	0.19 lbs.
62067	14.85	DS	T-201A Straight Flex		1	0.16 lbs.
62990	14.85	DS	T-201 5" Straight	SPIRAL	1	0.21 lbs.
63030	15.50	DS	T-210 1"		1	0.13 lbs.
63035	15.50	DS	T-211 1-5/8"	GREASE CUTTER	1	0.13 lbs.
63040	16.85	DS	T-212 1-3/4"	GREASE CUTTER	1	0.11 lbs.
63045	23.55	DS	T-213 1"		1	0.13 lbs.
63050	25.75	DS	T-214 1-3/8"	4-BLADE CUTTER	1	0.19 lbs.
63055	27.30	DS	T-215 1-3/4"	4-BLADE CUTTER	1	0.19 lbs.
63060	111.65	DS	T-216 2"		1	0.44 lbs.
63280	90.50	DS	T-218 3"	CHAIN KNOCKER	1	0.62 lbs.
63080	78.80	DS	T-220 2"	CHAIN KNOCKER	1	0.50 lbs.
63220	72.55	DS	T-221 1-1/2"		1	0.45 lbs.
52812	19.85	DS	T-230 2"	HEAVY DUTY CUTTER	1	0.25 lbs.
52817	21.05	DS	T-231 2-1/4"	HEAVY DUTY CUTTER	1	0.28 lbs.
52822	22.25	DS	T-232 3"	HEAVY DUTY CUTTER	1	0.53 lbs.
48482	54.60	DS	T-250	TOOL SET	1	0.50 lbs.
12128	28.45	DS	T-240	TOOL SET	1	1.00 lbs.

12.11 - K-40 Accessories

71762	207.95	DS	A-40G-PF AutoFeed Assy & Hose	1	5.00 lbs.
67962	110.75	DS	A-39PF AutoFeed Assy f/ K-39	1	1.40 lbs.
83407	134.35	DP	14.4V Battery Pack	1	2.00 lbs.
68917	19.90	DP	Drum Liner	1	1.10 lbs.
76817	117.00	DS	C-6 Cable Kit	1	8.55 lbs.
98072	118.05	DS	C-6IC Cable Kit	1	8.00 lbs.
84117	187.05	DP	Charger, Automatic 14.4	1	1.32 lbs.
76597	64.60	DP	Top Roller Bearing Hsg	1	0.22 lbs.

Cat. Page	Item No.	Resale Price	Disc. Code	Description	Std. Pack	Wt. (lbs.)
-----------	----------	--------------	------------	-------------	-----------	------------

4" Capacity Drum Machine



12.12 - K-400 Machine For 1 1/4 to 4 Lines

24853	564.95	DC	K-400 w/C32IW	1	78.00 lbs.
26993	537.30	DC	K-400 w/C31IW	1	70.00 lbs.
26998	621.25	DC	K-400 w/C45IW	115V	85.00 lbs.
27003	576.25	DC	K-400 w/C44IW	60Hz	77.00 lbs.
27013	816.20	DC	K-400AF w/C45IW & AUTOFEED	1	90.00 lbs.
27008	771.20	DC	K-400AF w/C32IW & AUTOFEED	1	80.00 lbs.

12.13 - K-400 3/8" Cable

37847	156.20	DS	C-32 IC 3/8" x 75'	1	25.50 lbs.
87577	113.10	DS	C-31 IW Cable 3/8 x 50'	1	18.00 lbs.
87582	156.20	DS	C-32 IW Cable 3/8 x 75'	1	26.20 lbs.
87587	197.50	DS	C-33 IW Cable 3/8 X 100'	1	33.80 lbs.
91037	37.85	DS	Repair End f/ IW Cable	1	0.60 lbs.

12.13 - K-400 Tools-Fits C-31IW, C-32IW, C-33IW, C-44IW & C-45IW

62990	14.85	DS	T-201 5" Straight	1	0.21 lbs.	
62995	14.30	DS	T-202 1-1/8" Bulb	1	0.18 lbs.	
63000	14.30	DS	T-203 7/8" Bulb O.D.	1	0.25 lbs.	
63065	15.50	DS	T-217 4" Drop Head	AUGER	1	0.18 lbs.
63005	14.30	DS	T-205 1-3/8"	1	0.09 lbs.	
63010	14.85	DS	T-206 3" Funnel	1	0.19 lbs.	
63015	17.10	DS	T-207 1-1/4"	1	0.19 lbs.	
63020	18.65	DS	T-208 1-1/2"	SPIRAL	1	0.19 lbs.
63025	20.45	DS	T-209 2"	CUTTER	1	0.19 lbs.
63030	15.50	DS	T-210 1"	1	0.13 lbs.	
63035	15.50	DS	T-211 1-5/8"	GREASE	1	0.13 lbs.
63040	16.85	DS	T-212 1-3/4"	CUTTER	1	0.11 lbs.
63045	23.55	DS	T-213 1"	1	0.13 lbs.	
63050	25.75	DS	T-214 1-3/8"	4-BLADE	1	0.19 lbs.
63055	27.30	DS	T-215 1-3/4"	CUTTER	1	0.19 lbs.
63060	111.65	DS	T-216 2"	CHN KNOCKER	1	0.44 lbs.
49002	41.00	DS	T-260	1	0.37 lbs.	
12128	28.45	DS	T-240	TOOL SET	1	1.00 lbs.
97840	6.80	DS	For T-207	1	0.09 lbs.	
97895	7.75	DS	For T-208	1	0.09 lbs.	
97900	9.95	DS	For T-209	1	0.13 lbs.	
97905	5.65	DS	For T-210	1	0.09 lbs.	
97825	6.50	DS	For T-211	REPL.	1	0.09 lbs.
97850	19.45	DS	For T-23	BLADES	1	0.28 lbs.

Cat. Page	Item No.	Resale Price	Disc. Code	Description	Std. Pack	Wt. (lbs.)
-----------	----------	--------------	------------	-------------	-----------	------------

97795	10.80	DS	For T-213	1	0.13 lbs.
97910	13.00	DS	For T-214	1	0.13 lbs.
97915	16.10	DS	For T-215 Set	1	0.16 lbs.

98000	28.25	DC	Set of chains w/pins	1	0.13 lbs.
-------	-------	----	----------------------	---	-----------

12.13 - K-400 1/2" IW Cables

87592	151.40	DS	C-44 IW Cable 1/2 x 50'	1	28.00 lbs.
87597	210.95	DS	C-45 IW Cable 1/2 x 75'	1	41.00 lbs.

91042	37.85	DS	1/2" IW Repair End	1	0.70 lbs.
-------	-------	----	--------------------	---	-----------

12.13 - K-400 Tools-Fits C-44IW and C-45IW (With Adapter)

62850	22.00	DS	T-101 Straight	1	0.50 lbs.
62855	22.00	DS	T-102 Funnel	1	0.56 lbs.
62865	37.55	DS	T-104 2 1/2"	1	0.56 lbs.
62870	27.30	DS	T-105 2-1/2"	1	0.25 lbs.
62875	29.20	DS	T-106 3-1/2"	1	0.31 lbs.
62880	20.45	DS	T-107 1-3/4"	1	0.25 lbs.
62930	32.85	DS	T-112 1-3/4"	1	0.50 lbs.
62935	37.55	DS	T-113 3"	1	0.56 lbs.
62940	167.50	DS	T-114 Chain Knocker	1	3.39 lbs.
54842	32.25	DS	T-141 2-1/2"	1	0.22 lbs.
54852	36.05	DS	T-142 3-1/2"	1	0.27 lbs.
54992	76.95	DS	T-270 Tool Set	1	0.90 lbs.

92607	39.60	DS	Tool Adapter 3/8" to 1/2"	1	1.15 lbs.
92682	37.65	DS	3/8" to 1/2" Drophead	1	0.30 lbs.
92687	36.90	DS	1/2" Drophead Cable	1	0.82 lbs.

12.13 - K-400 Accessories

41937	18.50	DS	Leather Gloves - Pr	1	0.44 lbs.
59230	3.00	DS	A-13 Pin Key f/ 3/8" Cable	1	0.05 lbs.
27048	220.90	DS	K-400 Drum Assembly	1	8.00 lbs.
26773	137.75	DS	K-400 Autofeed Assembly	1	4.00 lbs.
26778	83.10	DC	K-400 Guide Hose	1	1.00 lbs.

4" Capacity Drum Machine



12.14 - K-3800 for 3/4" to 4" Lines

53107	1125.45	DC	K-3800 w/ Gloves Mach Only	1	44.00 lbs.
53112	1243.40	DC	K-3800 w/ C-31	1	62.94 lbs.
53117	1290.85	DC	K-3800 w/ C-32	115 Volt	71.75 lbs.
53122	1344.15	DC	K-3800 w/ C-45	1	83.00 lbs.
53127	1383.40	DC	K-3800 w/ C-46	1	89.00 lbs.

63827	1349.95	DC	K-3800 w/ C-32	1	72.00 lbs.
63822	1426.90	DC	K-3800 w/ C-45	220-240 Volt	79.90 lbs.

Cat. Page	Item No.	Resale Price	Disc. Code	Description	Std. Pack	Wt. (lbs.)	Cat. Page	Item No.	Resale Price	Disc. Code	Description	Std. Pack	Wt. (lbs.)
12.15 - K-3800 1/4" Cables: For Sink Drum							97800	19.85	DS		For T-104, T-11	1	0.25 lbs.
	50652	43.35	DS	S-2 25' W/FUNNEL	1	3.45 lbs.	97925	14.85	DS		For T-106, T-9	1	0.19 lbs.
	50657	56.90	DS	S-3 35' AUGER	1	4.95 lbs.	54832	6.25	DS		For T-204	1	0.31 lbs.
12.15 - K-3800 5/16" Cables: For Sink Drum							97835	6.25	DS		For T-205	1	0.09 lbs.
	56787	61.90	DS	C-2-IC 25'	1	4.37 lbs.	97840	6.80	DS		For T-207	1	0.09 lbs.
	56797	76.75	DS	C-2-3-IC 35'	1	6.00 lbs.	97895	7.75	DS		For T-208	1	0.09 lbs.
	56782	49.00	DS	C-1 IC 25'	1	4.40 lbs.	97900	9.95	DS		For T-209	1	0.13 lbs.
	56792	64.30	DS	C-1-3-IC 35'	1	5.75 lbs.	97905	5.65	DS		For T-210	1	0.09 lbs.
12.15 - K-3800 3/8" Cables for Standard Drum							92850	7.50	DS		For T-212	1	0.06 lbs.
	37842	113.10	DS	C-31 50'	1	18.00 lbs.	97795	10.80	DS		For T-213	1	0.13 lbs.
	37847	156.20	DS	C-32 IC 3/8" x 75'	1	25.50 lbs.	97825	6.50	DS		For T-211	1	0.09 lbs.
	37852	195.50	DS	C-33 100'	1	41.00 lbs.	97910	13.00	DS		For T-214	1	0.13 lbs.
	51752	14.10	DP	T-122 Repair End	1	0.32 lbs.	97985	33.50	DS		For T-114	1	0.44 lbs.
12.15 - K-3800 Tools - Fits C-31,C-32,C-33, (C-31IW,C-32IW,C-33IW,C-44IW,C-45IW w/Adaptor)							97940	19.45	DS		For T-113 Set	1	0.25 lbs.
	62990	14.85	DS	T-201 5" Straight	1	0.21 lbs.	97915	16.10	DS		For T-215 Set SETS	1	0.16 lbs.
	62995	14.30	DS	T-202 1-1/8" Bulb	1	0.18 lbs.	12.15 - K-3800 Accessories						
	63000	14.30	DS	T-203 7/8" Bulb O.D.	1	0.25 lbs.	55002	299.60	DS		A-380 Standard Drum	1	12.19 lbs.
	54837	12.45	DS	T-204 1"	1	0.09 lbs.	55007	224.50	DS		A-381 Sink Drum	1	7.69 lbs.
	63005	14.30	DS	T-205 1-3/8"	1	0.09 lbs.	55012	254.60	DS		A-381-A w/ IC Cable	1	11.37 lbs.
	63010	14.85	DS	T-206 3" Funnel	1	0.19 lbs.	41937	18.50	DS		Leather Gloves - Pr	1	0.44 lbs.
	63020	18.65	DS	T-208 1-1/2"	1	0.19 lbs.	59230	3.00	DS		A-13 Pin Key f/ 3/8" Cable	1	0.05 lbs.
	63025	20.45	DS	T-209 2"	1	0.19 lbs.	59225	2.95	DS		A-12 Pin Key f/1/2" Cable	1	0.06 lbs.
	63030	15.50	DS	T-210 1"	1	0.13 lbs.	55017	119.10	DS		Transport Cart	1	16.25 lbs.
	63035	15.50	DS	T-211 1-5/8"	1	0.13 lbs.	60087	391.90	DS		Power Feed Assembly	1	7.31 lbs.
	63040	16.85	DS	T-212 1-3/4"	1	0.11 lbs.	62412	77.75	DP		Front Guide Hose Adapter	1	3.50 lbs.
	63045	23.55	DS	T-213 1"	1	0.13 lbs.							
	63050	25.75	DS	T-214 1-3/8"	1	0.19 lbs.							
	63055	27.30	DS	T-215 1-3/4"	1	0.19 lbs.							
	63060	111.65	DS	T-216 2"	1	0.44 lbs.							
	63065	15.50	DS	T-217 4" Drop Head	1	0.18 lbs.							
	49002	41.00	DS	T-260	1	0.37 lbs.							
	12128	28.45	DS	T-240 TOOL SET	1	1.00 lbs.							
12.15 - K-3800 1/2" Cables													
	37857	151.40	DS	C-44 IC 50' Cable	1	27.31 lbs.							
	37862	210.95	DS	C-45 IC 75'	1	39.31 lbs.							
	37867	140.40	DS	C-45 HC 75' Hollow Core	1	40.00 lbs.							
	55467	242.00	DS	C-46 90'	1	45.00 lbs.							
	59917	29.15	DP	T-121 1/2" Repair End	1	0.56 lbs.							
12.15 - K-3800 Tools - Fits C-44,C-45 & C-46													
	62850	22.00	DS	T-101 Straight	1	0.50 lbs.							
	62855	22.00	DS	T-102 Funnel AUGER	1	0.56 lbs.							
	62870	27.30	DS	T-105 2-1/2"	1	0.25 lbs.							
	62875	29.20	DS	T-106 3-1/2" GREASE	1	0.31 lbs.							
	62880	20.45	DS	T-107 1-3/4" CUTTER	1	0.25 lbs.							
	62930	32.85	DS	T-112 1-3/4"	1	0.50 lbs.							
	62935	37.55	DS	T-113 3" BLADE	1	0.56 lbs.							
	54842	32.25	DS	T-141 2-1/2" CUTTER	1	0.22 lbs.							
	54852	36.05	DS	T-142 3-1/2"	1	0.27 lbs.							
	62865	37.55	DS	T-104 2 1/2"	1	0.56 lbs.							
	62940	167.50	DS	T-114 Chain Knocker	1	3.39 lbs.							
	92687	36.90	DS	1/2" Drophead Cable	1	0.82 lbs.							
	54992	76.95	DS	T-270 Tool Set	1	0.90 lbs.							
12.15 - K-3800 Tool Replacement Blades													
	92850	7.50	DS	For T-212	1	0.06 lbs.							
	54847	14.30	DS	For T-141	1	0.09 lbs.							
	97800	19.85	DS	For T-104, T-11	1	0.25 lbs.							
	97920	11.20	DS	For T-105, T-8	1	0.13 lbs.							

Cat. Page	Item No.	Resale Price	Disc. Code	Description	Std. Pack	Wt. (lbs.)
-----------	----------	--------------	------------	-------------	-----------	------------

6" Capacity Drum Machine



12.16 - K-6200 Drum Machine 2" - 6"

95737	2553.15	DC	K-6200 w/ 5/8" Pigtail		1	117.00 lbs.
95732	2831.00	DC	K-6200 w/C-24 IC	115 Volt	1	197.00 lbs.
93557	2888.05	DC	K-6200 w/C-24 IW		1	197.00 lbs.

12.17 - K-6200 Cables and Flexible Leaders

92460	103.60	DS	C-25		1	24.00 lbs.
92465	173.80	DS	C-26		1	43.00 lbs.
92470	248.30	DS	C-27	IC CABLE	1	63.00 lbs.
43647	314.75	DS	C-24		1	84.00 lbs.

32737	207.85	DS	C-24HC 75'		1	52.75 lbs.
58192	232.60	DS	C-24HC 100'	HC CABLE	1	69.00 lbs.

95762	143.50	DS	C-25		1	23.00 lbs.
95757	228.20	DS	C-26		1	41.00 lbs.
95752	248.30	DS	C-27	IW CABLE	1	64.00 lbs.
95747	314.75	DS	C-24		1	82.00 lbs.

92555	37.25	DS	T-458 5/8"x2' Leader		1	1.87 lbs.
44122	73.65	DP	5/8" Pigtail		1	5.00 lbs.

12.17 - K-6200 Tool Replacement Blades and Holders

92835	9.70	DS	For T-403B 3" P-Trap		1	0.13 lbs.
92840	11.45	DS	For T-404		1	0.25 lbs.
92850	7.50	DS	For T-212		1	0.06 lbs.
92815	8.05	DS	For T-411		1	0.06 lbs.
92820	8.65	DS	For T-412		1	0.09 lbs.
92825	9.25	DS	For T-413		1	0.16 lbs.
92830	11.45	DS	For T-414		1	0.22 lbs.
92855	16.10	DS	For T-416		1	0.50 lbs.
92860	12.45	DS	For T-432		1	0.09 lbs.
92865	11.20	DS	For T-433		1	0.16 lbs.
92870	12.45	DS	For T-434		1	0.22 lbs.
92875	14.05	DS	For T-436		1	0.34 lbs.

92900	16.85	DS	For T-403,404		1	0.19 lbs.
92915	7.75	DS	For T-406, 408		1	0.06 lbs.
92905	13.30	DS	For T-411, 412	HOLDER	1	0.13 lbs.
92910	17.35	DS	For T-413, 414, 416		1	0.19 lbs.
92895	31.60	DS	For T-432-436		1	0.13 lbs.

12.17 - K-6200 Tools - Fits C-24, C25, C-26, C-27, C-27HC, C024HC, C-24IW, C-25IW, C-26IW, C-27IW

92485	22.00	DS	T-403 P-Trap Cutter, 3"		1	0.31 lbs.
92490	23.55	DS	T-404 P-Trap Cutter, 3 1/2"		1	0.19 lbs.
92495	18.65	DS	T-406 Grease Blade		1	0.28 lbs.

Cat. Page	Item No.	Resale Price	Disc. Code	Description	Std. Pack	Wt. (lbs.)
-----------	----------	--------------	------------	-------------	-----------	------------

92500	27.90	DS	T-407 Retrieving Auger		1	1.50 lbs.
92505	23.00	DS	T-408 Sawtooth Cutter		1	0.25 lbs.
51762	26.05	DS	T-409 H-D Bulb Auger		1	0.53 lbs.

92535	44.30	DS	T-432 2"		1	0.40 lbs.
92540	45.55	DS	T-433 3"	3-BLADE CUTTER	1	0.50 lbs.
92545	48.40	DS	T-434 4"		1	0.69 lbs.
92550	50.85	DS	T-436 6"		1	1.13 lbs.

92510	19.85	DS	T-411 2"		1	0.25 lbs.
92515	20.45	DS	T-412 2 1/2"		1	0.31 lbs.
92520	22.00	DS	T-413 3"	DOUBLE CUTTER	1	0.40 lbs.
92525	25.45	DS	T-414 4"		1	0.50 lbs.
92530	30.35	DS	T-416 6"		1	0.75 lbs.

12.17 - K-6200 Accessories

59360	38.65	DS	A-3 Tool Box		1	5.50 lbs.
-------	-------	----	--------------	--	---	-----------

91047	45.55	DS	5/8" IW Rpr Coupling		1	0.43 lbs.
-------	-------	----	----------------------	--	---	-----------

41937	18.50	DS	Leather Gloves - Pr		1	0.44 lbs.
70032	13.05	DP	PVC Rubber Gloves - Pr		1	0.02 lbs.
95812	391.90	DS	Autofeed - K-6200		1	8.20 lbs.
95797	87.65	DS	Lifting Hook - K-6200		1	5.20 lbs.
95792	112.80	DS	Swivel Loading Whl Assy		1	4.00 lbs.
95802	595.40	DS	Drum Assy w/5/8" Pigtail		1	28.00 lbs.
95807	419.80	DS	K-3800 Drum Assy w/6200 Adptrs		1	13.00 lbs.
95822	109.75	DS	K-3800 to K-6200 Adptr Kit Only		1	2.00 lbs.

8" Capacity Drum Machine



12.18 - K-750 - For 3" to 8" Lines

41977	1633.05	DC	K-750 Mach Only w/ 3/4"		1	120.00 lbs.
51402	1633.05	DC	K-750 Mach Only w/ 5/8"		1	114.00 lbs.
42002	1987.40	DC	K-750 w/ C-75		1	206.00 lbs.
42007	2076.10	DC	K-750 w/ C-100	115VOLT	1	234.00 lbs.
42012	1946.30	DC	K-750 w/ C-27	60HZ	1	181.50 lbs.
47047	1932.35	DC	K-750 w/ C-24		1	198.19 lbs.
51342	1354.85	DC	K-750 Mnl Feed No Cable		1	112.00 lbs.

12.19 - K-750 Cables and Flexible Leaders

92460	103.60	DS	C-25		1	24.00 lbs.
92465	173.80	DS	C-26		1	43.00 lbs.
92470	248.30	DS	C-27		1	63.00 lbs.
43647	314.75	DS	C-24		1	84.00 lbs.
32737	207.85	DS	C-24HC 75'		1	52.75 lbs.
58192	232.60	DS	C-24HC 100'		1	69.00 lbs.
92475	132.55	DS	C-28 Cable		1	32.60 lbs.
92480	228.20	DS	C-29 Cable		1	60.00 lbs.
41212	310.70	DS	C-75 Cable		1	93.50 lbs.
41697	402.70	DS	C-100 Cable		1	122.00 lbs.

Cat. Page	Item No.	Resale Price	Disc. Code	Description	Std. Pack	Wt. (lbs.)
47427	202.85	DS	C-75HC Cable		1	76.00 lbs.
47432	268.70	DS	C-100HC Cable		1	103.00 lbs.
92555	37.25	DS	T-458 5/8"x2' Leader		1	1.87 lbs.
92560	44.65	DS	T-468 3/4"x2' Leader		1	2.75 lbs.
44122	73.65	DP	5/8" Pigtail		1	5.00 lbs.
44117	73.65	DP	3/4" Pigtail		1	8.31 lbs.

12.19 - K-750 Tools - Fits C-24, C-25, C-26, C-27, C-28, C-29, C-75, C-100, C-27HC, C-24HC and C-100HC

92485	22.00	DS	T-403 P-Trap Cutter, 3"		1	0.31 lbs.
92490	23.55	DS	T-404 P-Trap Cutter, 3 1/2"		1	0.19 lbs.
92495	18.65	DS	T-406 Grease Blade		1	0.28 lbs.
92500	27.90	DS	T-407 Retrieving Auger		1	1.50 lbs.
92505	23.00	DS	T-408 Sawtooth Cutter		1	0.25 lbs.
51762	26.05	DS	T-409 H-D Bulb Auger		1	0.53 lbs.

92515	20.45	DS	T-412 2 1/2"		1	0.31 lbs.
92520	22.00	DS	T-413 3"	DOUBLE CUTTER	1	0.40 lbs.
92525	25.45	DS	T-414 4"		1	0.50 lbs.
92530	30.35	DS	T-416 6"		1	0.75 lbs.

92535	44.30	DS	T-432 2"		1	0.40 lbs.
92540	45.55	DS	T-433 3"	3-BLADE CUTTER	1	0.50 lbs.
92545	48.40	DS	T-434 4"		1	0.69 lbs.
92550	50.85	DS	T-436 6"		1	1.13 lbs.

12.19 - K-750 Tool Replacement Blades and Holders

92835	9.70	DS	For T-403B 3" P-Trap		1	0.13 lbs.
92840	11.45	DS	For T-404		1	0.25 lbs.
92850	7.50	DS	For T-212		1	0.06 lbs.
92815	8.05	DS	For T-411		1	0.06 lbs.
92820	8.65	DS	For T-412		1	0.09 lbs.
92825	9.25	DS	For T-413		1	0.16 lbs.
92830	11.45	DS	For T-414	BLADE	1	0.22 lbs.
92855	16.10	DS	For T-416		1	0.50 lbs.
92860	12.45	DS	For T-432		1	0.09 lbs.
92865	11.20	DS	For T-433		1	0.16 lbs.
92870	12.45	DS	For T-434		1	0.22 lbs.
92875	14.05	DS	For T-436		1	0.34 lbs.

92900	16.85	DS	For T-403,404		1	0.19 lbs.
92915	7.75	DS	For T-406, 408		1	0.06 lbs.
92905	13.30	DS	For T-411, 412	HOLDER	1	0.13 lbs.
92910	17.35	DS	For T-413, 414, 416		1	0.19 lbs.
92895	31.60	DS	For T-432-436		1	0.13 lbs.

12.19 - K-750 Accessories

43637	431.60	DS	A-7558 Drum Assembly		1	29.00 lbs.
41982	431.60	DS	A-7534 Drum Assembly		1	37.50 lbs.
43642	353.70	DS	A-75 Powerfeed Assembly		1	7.81 lbs.
41992	471.35	DS	C-100IC Kit w/Tools		1	106.00 lbs.
49032	90.30	DS	Front Guide Hose Ass'y		1	2.80 lbs.
46015	2.35	TP	E-453 Allen Wrench		1	0.04 lbs.

41937	18.50	DS	Leather Gloves - Pr		1	0.44 lbs.
70032	13.05	DP	PVC Rubber Gloves - Pr		1	0.02 lbs.
59360	38.65	DS	A-3 Tool Box		1	5.50 lbs.

31487	12.75	DP	A-7570 Splicer Male		1	0.06 lbs.
92805	8.40	DP	A-6582 5/8" Male Coupling		1	0.06 lbs.
92810	21.45	DP	A-6583 5/8" Female Coupling		1	0.09 lbs.
31492	16.00	DP	A-7571 3/4" Cable Repair		1	0.06 lbs.
92880	8.90	DP	A-6840 3/4" Male Coupling		1	0.06 lbs.
92885	22.50	DP	B-6841 3/4" Female Coupling		1	0.13 lbs.

10" Capacity Drum Machine



12.20 - K-7500 for 4" to 10" Lines

59562	2894.95	DC	K-7500 Mach & TIs 3/4"		1	150.00 lbs.
61102	2883.80	DC	K-7500 Mach & TIs 5/8"		1	150.00 lbs.
61112	3071.20	DC	K-7500 w/ C-24	POWER FEED	1	225.00 lbs.
60062	3071.20	DC	K-7500 w/ C-75	115V	1	244.00 lbs.
60052	3173.10	DC	K-7500 w/ C-100		1	272.00 lbs.

59587	2589.70	DC	K-7500	MANUAL FEED	1	143.00 lbs.
60067	2813.45	DC	K-7500 w/ C-100	115V	1	265.00 lbs.

12.21 - K-7500 Cables and Flexible Leaders

92460	103.60	DS	C-25		1	24.00 lbs.
92465	173.80	DS	C-26		1	43.00 lbs.
92470	248.30	DS	C-27		1	63.00 lbs.
43647	314.75	DS	C-24		1	84.00 lbs.
32737	207.85	DS	C-24HC 75'		1	52.75 lbs.
58192	232.60	DS	C-24HC 100'		1	69.00 lbs.
92475	132.55	DS	C-28 Cable		1	32.60 lbs.
92480	228.20	DS	C-29 Cable		1	60.00 lbs.
41212	310.70	DS	C-75 Cable		1	93.50 lbs.
41697	402.70	DS	C-100 Cable		1	122.00 lbs.
47427	202.85	DS	C-75HC Cable		1	76.00 lbs.
47432	268.70	DS	C-100HC Cable		1	103.00 lbs.
92555	37.25	DS	T-458 5/8"x2' Leader		1	1.87 lbs.
92560	44.65	DS	T-468 3/4"x2' Leader		1	2.75 lbs.
44122	73.65	DP	5/8" Pigtail		1	5.00 lbs.
44117	73.65	DP	3/4" Pigtail		1	8.31 lbs.

12.21 - K-7500 Tools - Fits C-24, C-25, C-26, C-27, C-28, C-29, C75, C-100, C-27HC, C-24HC and C-100HC

92485	22.00	DS	T-403 P-Trap Cutter, 3"		1	0.31 lbs.
92490	23.55	DS	T-404 P-Trap Cutter, 3 1/2"		1	0.19 lbs.
92495	18.65	DS	T-406 Grease Blade		1	0.28 lbs.
92500	27.90	DS	T-407 Retrieving Auger		1	1.50 lbs.
92505	23.00	DS	T-408 Sawtooth Cutter		1	0.25 lbs.
51762	26.05	DS	T-409 H-D Bulb Auger		1	0.53 lbs.

92515	20.45	DS	T-412 2 1/2"		1	0.31 lbs.
92520	22.00	DS	T-413 3"	DOUBLE CUTTER	1	0.40 lbs.
92525	25.45	DS	T-414 4"		1	0.50 lbs.
92530	30.35	DS	T-416 6"		1	0.75 lbs.

92535	44.30	DS	T-432 2"		1	0.40 lbs.
92540	45.55	DS	T-433 3"	3-BLADE CUTTER	1	0.50 lbs.
92545	48.40	DS	T-434 4"		1	0.69 lbs.
92550	50.85	DS	T-436 6"		1	1.13 lbs.

Cat. Page	Item No.	Resale Price	Disc. Code	Description	Std. Pack	Wt. (lbs.)
12.21 - K-7500 Tool Replacement Blades and Holders						
92835	9.70	DS		For T-403B 3" P-Trap	1	0.13 lbs.
92840	11.45	DS		For T-404	1	0.25 lbs.
92850	7.50	DS		For T-212	1	0.06 lbs.
92815	8.05	DS		For T-411	1	0.06 lbs.
92820	8.65	DS		For T-412	1	0.09 lbs.
92825	9.25	DS		For T-413	1	0.16 lbs.
92830	11.45	DS		For T-414	1	0.22 lbs.
92855	16.10	DS		For T-416	1	0.50 lbs.
92860	12.45	DS		For T-432	1	0.09 lbs.
92865	11.20	DS		For T-433	1	0.16 lbs.
92870	12.45	DS		For T-434	1	0.22 lbs.
92875	14.05	DS		For T-436	1	0.34 lbs.
<hr/>						
92900	16.85	DS		For T-403,404	1	0.19 lbs.
92915	7.75	DS		For T-406, 408	1	0.06 lbs.
92905	13.30	DS		For T-411, 412	1	0.13 lbs.
92910	17.35	DS		For T-413, 414, 416	1	0.19 lbs.
92895	31.60	DS		For T-432-436	1	0.13 lbs.

12.21 - K-7500 Accessories

60042	637.20	DS		Drum Assy w/ Pigtail 3/4"	1	40.25 lbs.
61107	637.20	DS		Drum Assy w/ Pigtail 5/8"	1	36.94 lbs.
60047	534.35	DP		A-75DR Drum Only	1	30.50 lbs.
60032	391.90	DS		A-75PF Power Feed Assembly	1	8.33 lbs.
60037	6.05	DP		A-75PF Power Feed Spacers	1	0.05 lbs.
41992	471.35	DS		C-100IC Kit w/Tools	1	106.00 lbs.
49032	90.30	DS		Front Guide Hose Ass'y	1	2.80 lbs.
31487	12.75	DP		A-7570 Splicer Male	1	0.06 lbs.
92805	8.40	DP		A-6582 5/8" Male Coupling	1	0.06 lbs.
92810	21.45	DP		A-6583 5/8" Female Coupling	1	0.09 lbs.
31492	16.00	DP		A-7571 3/4" Cable Repair	1	0.06 lbs.
92880	8.90	DP		A-6840 3/4" Male Coupling	1	0.06 lbs.
92885	22.50	DP		B-6841 3/4" Female Coupling	1	0.13 lbs.
59360	38.65	DS		A-3 Tool Box	1	5.50 lbs.
<hr/>						
41937	18.50	DS		Leather Gloves - Pr	1	0.44 lbs.
70032	13.05	DP		PVC Rubber Gloves - Pr	1	0.02 lbs.

4" Capacity Cage Style Drum Machine



12.22 - K-375R Machine

83292	671.30	DC		K-375R Cage Machine 115V	1	77.20 lbs.
-------	--------	----	--	--------------------------	---	------------

12.22 - K-375R Accessories

62995	14.30	DS		T-202 1-1/8" Bulb	1	0.18 lbs.
63035	15.50	DS		T-211 1-5/8"	1	0.13 lbs.
63005	14.30	DS		T-205 1-3/8"	1	0.09 lbs.
59230	3.00	DS		A-13 Pin Key f/ 3/8" Cable	1	0.05 lbs.
37787	158.70	DS		A-375 Drum Assy, Plastic	1	8.69 lbs.
41937	18.50	DS		Leather Gloves - Pr	1	0.44 lbs.
87592	151.40	DS		C-44 IW Cable 1/2 x 50'	1	28.00 lbs.
91042	37.85	DS		1/2" IW Repair End	1	0.70 lbs.
84517	350.75	DP		Drum Assy, Metal Cage	1	16.32 lbs.

6" Capacity Cage Style Drum Machine



12.23 - K-750R Cage Style Machine

83557	1668.05	DC		5/8" Cage Style	1	216.00 lbs.
-------	---------	----	--	-----------------	---	-------------

12.23 - K-750R Accessories

92495	18.65	DS		T-406 Grease Blade	1	0.28 lbs.
92485	22.00	DS		T-403 P-Trap Cutter, 3"	1	0.31 lbs.
92510	19.85	DS		T-411 2"	1	0.25 lbs.
92520	22.00	DS		T-413 3"	1	0.40 lbs.
92525	25.45	DS		T-414 4"	1	0.50 lbs.
87602	314.75	DS		C-24 IW	1	85.00 lbs.
43642	353.70	DS		A-75 Powerfeed Assembly	1	7.81 lbs.
41937	18.50	DS		Leather Gloves - Pr	1	0.44 lbs.
59360	38.65	DS		A-3 Tool Box	1	5.50 lbs.
91047	45.55	DS		5/8" IW Rpr Coupling	1	0.43 lbs.

Cat. Page	Item No.	Resale Price	Disc. Code	Description	Std. Pack	Wt. (lbs.)
-----------	----------	--------------	------------	-------------	-----------	------------

4" Capacity Sectional Machine



12.24 - K-50 - for 3/4" to 4" Lines

58920	825.00	DC	K-50 Only		1	32.00 lbs.
58960	1105.30	DC	K-50-4		1	62.00 lbs.
58980	1278.60	DC	K-50-6	115V	1	62.00 lbs.
59000	1523.95	DC	K-50-8	50/60 HZ	1	77.00 lbs.
52972	1260.75	DC	K-50-9		1	68.37 lbs.
76475	1105.30	DC	K-50-4 w/A-30 Cbl Kit		1	61.00 lbs.
76485	1278.60	DC	K-50-6 w/A-17-A Adptr	230V	1	67.00 lbs.
76495	1523.95	DC	K-50-8 w/Adptr & Cbl Kit	50/60 HZ	1	77.00 lbs.

12.25 - K-50 Adaptors

59250	193.80	DS	A-17-A w/ C-1		1	8.25 lbs.
59255	259.95	DS	A-17-B w/ C-5		1	11.50 lbs.
59265	272.70	DS	A-17-C w/ C-6		1	13.00 lbs.
92095	226.65	DS	A-17-D w/ C-21		1	7.00 lbs.
92100	232.65	DS	A-17-E w/ C-22		1	14.00 lbs.

12.25 - K-50 Cables

62225	47.00	DS	C-1 25'		1	3.70 lbs.
56782	49.00	DS	C-1 IC 25'	W/ BULB	1	4.40 lbs.
89400	84.55	DS	C-21 50'	AUGER	1	7.50 lbs.

62235	58.80	DS	C-2 25'		1	3.50 lbs.
56787	61.90	DS	C-2-IC 25'	W/ DROP HEAD	1	4.37 lbs.
89405	93.00	DS	C-22 50'	AUGER	1	7.00 lbs.

62245	58.20	DS	C-4 25' w/ Male Coupling		1	5.62 lbs.
62250	71.70	DS	C-5 35' w/ Bulb Auger		1	7.31 lbs.
62260	80.45	DS	C-6 35' w/ Male Coupling		1	7.81 lbs.
96037	81.05	DS	C-6IC 35' w/Male Coupling		1	7.50 lbs.

62265	37.45	DS	C-7 7 1/2'	TIGHT WIND	1	4.25 lbs.
62270	27.75	DS	C-8 7 1/2'	ALL PURPOSE	1	3.00 lbs.
51317	44.65	DS	C-9 10'	HEAVY DUTY	1	4.56 lbs.

12.25 - K-50 Cable Kits

59365	303.95	DS	A-30		1	20.00 lbs.
59370	362.25	DS	A-30-TW		1	31.50 lbs.
52962	461.45	DS	A-40		1	36.37 lbs.

12.25 - K-50 Tool Replacement Blades

54832	6.25	DS	For T-204		1	0.31 lbs.
97835	6.25	DS	For T-205		1	0.09 lbs.
97840	6.80	DS	For T-207		1	0.09 lbs.
97895	7.75	DS	For T-208		1	0.09 lbs.
97900	9.95	DS	For T-209		1	0.13 lbs.
97825	6.50	DS	For T-211		1	0.09 lbs.
92850	7.50	DS	For T-212		1	0.06 lbs.
97905	5.65	DS	For T-210		1	0.09 lbs.
97795	10.80	DS	For T-213		1	0.13 lbs.
97910	13.00	DS	For T-214		1	0.13 lbs.
92815	8.05	DS	For T-411		1	0.06 lbs.
97915	16.10	DS	For T-215 Set		1	0.16 lbs.
98000	28.25	DC	Set of chains w/pins		1	0.13 lbs.

Cat. Page	Item No.	Resale Price	Disc. Code	Description	Std. Pack	Wt. (lbs.)
-----------	----------	--------------	------------	-------------	-----------	------------

92820	8.65	DS	For T-412		1	0.09 lbs.
92835	9.70	DS	For T-403B 3" P-Trap		1	0.13 lbs.

12.25 - K-50 Tools - Fits C-4, C-6, C-7, C-8, and C-9

62990	14.85	DS	T-201 5" Straight		1	0.21 lbs.
62995	14.30	DS	T-202 1-1/8" Bulb		1	0.18 lbs.
63000	14.30	DS	T-203 7/8" Bulb O.D.		1	0.25 lbs.
55457	18.65	DS	T-225 Retrieving	AUGERS	1	0.13 lbs.
62067	14.85	DS	T-201A Straight Flex		1	0.16 lbs.
63065	15.50	DS	T-217 4" Drop Head		1	0.18 lbs.

54837	12.45	DS	T-204 1"		1	0.09 lbs.
63005	14.30	DS	T-205 1-3/8"		1	0.09 lbs.

63010	14.85	DS	T-206 3" Funnel		1	0.19 lbs.
-------	-------	----	-----------------	--	---	-----------

63015	17.10	DS	T-207 1-1/4"		1	0.19 lbs.
63020	18.65	DS	T-208 1-1/2"	SPIRAL	1	0.19 lbs.
63025	20.45	DS	T-209 2"	CUTTER	1	0.19 lbs.

63030	15.50	DS	T-210 1"		1	0.13 lbs.
63035	15.50	DS	T-211 1-5/8"	GREASE	1	0.13 lbs.
63040	16.85	DS	T-212 1-3/4"	CUTTER	1	0.11 lbs.

63045	23.55	DS	T-213 1"		1	0.13 lbs.
63050	25.75	DS	T-214 1-3/8"	4-BLADE	1	0.19 lbs.
63055	27.30	DS	T-215 1-3/4"	CUTTER	1	0.19 lbs.

63060	111.65	DS	T-216 2"		1	0.44 lbs.
-------	--------	----	----------	--	---	-----------

63280	90.50	DS	T-218 3"		1	0.62 lbs.
63070	84.95	DS	T-219 2-1/2"	FLUE	1	0.56 lbs.
63080	78.80	DS	T-220 2"	BRUSH	1	0.50 lbs.
63220	72.55	DS	T-221 1-1/2"		1	0.45 lbs.

52812	19.85	DS	T-230 2"		1	0.25 lbs.
52817	21.05	DS	T-231 2-1/4"	H-D "C"	1	0.28 lbs.
52822	22.25	DS	T-232 3"	CUTTER	1	0.53 lbs.

48482	54.60	DS	T-250		1	0.50 lbs.
12128	28.45	DS	T-240	TOOL SET	1	1.00 lbs.

12.25 - K-50 Accessories

59235	86.80	DS	A-14-6' Rear	GUIDE	1	4.00 lbs.
84325	128.10	DS	A-14-10' Rear	HOSE	1	6.88 lbs.

59270	266.90	DS	A-18 Front Guide Hose		1	7.00 lbs.
59210	54.65	DS	A-10		1	3.25 lbs.
59205	19.15	DS	A-1 Left Hand		1	0.62 lbs.
59295	19.15	DS	A-2 Right Hand		1	0.62 lbs.
59230	3.00	DS	A-13 Pin Key f/ 3/8" Cable		1	0.05 lbs.
59450	51.45	DP	A-3179 K-50 Jaw Set		1	0.06 lbs.

Cat. Page	Item No.	Resale Price	Disc. Code	Description	Std. Pack	Wt. (lbs.)
-----------	----------	--------------	------------	-------------	-----------	------------

4" Capacity Sectional Machine



12.26 - K-60 - for 1 1/4" to 4" Lines

66492	1469.15	DC	K-60	115VOLT	1	57.60 lbs.
66497	1868.15	DC	K-60SE	60HZ	1	105.00 lbs.
66512	1469.15	DC	K-60	230VOLT	1	60.70 lbs.
66517	1868.15	DC	K-60SE	50HZ	1	115.00 lbs.

12.27 - K-60 Cables and Leaders

30007	33.50	DS	T-127 7/8" Trap Leader		1	2.13 lbs.
62275	56.75	DS	C-10 15' All-Purpose		1	9.50 lbs.
51317	44.65	DS	C-9 10'		1	4.56 lbs.
62270	27.75	DS	C-8 7 1/2'		1	3.00 lbs.
62265	37.45	DS	C-7 7 1/2'		1	4.25 lbs.

12.27 - K-60 Cable Kits

61630	307.55	DS	A-62 7/8" Cable Kit		1	45.50 lbs.
61625	150.15	DS	A-61 7/8" Tool Kit		1	8.43 lbs.
48477	333.70	DS	A-35TW 5/8" Tight-Wind		1	28.63 lbs.
48472	272.85	DS	A-35 Cable Kit		1	17.63 lbs.

12.27 - K-60 Tools - Fits C-10

62940	167.50	DS	T-114 Chain Knocker		1	3.39 lbs.
62850	22.00	DS	T-101 Straight		1	0.50 lbs.
62855	22.00	DS	T-102 Funnel	AUGER	1	0.56 lbs.
27642	21.05	DS	T-125 Retrieving		1	0.44 lbs.
62880	20.45	DS	T-107 1-3/4"		1	0.25 lbs.
62870	27.30	DS	T-105 2-1/2"	GREASE CUTTER	1	0.25 lbs.
62875	29.20	DS	T-106 3-1/2"		1	0.31 lbs.
67132	43.10	DS	5/8" x 3/4"		1	0.10 lbs.
67137	50.85	DS	5/8" x 1"	CARBIDE TIP	1	0.10 lbs.
67142	57.65	DS	7/8" x 1"		1	0.15 lbs.
62930	32.85	DS	T-112 1-3/4"		1	0.50 lbs.
62935	37.55	DS	T-113 3"	4-BLADE	1	0.56 lbs.
62860	51.50	DS	T-103 2-1/2"	SAWTOOTH	1	0.62 lbs.
62915	22.00	DS	T-109 1-3/4"		1	0.25 lbs.
62920	24.85	DS	T-110 2-1/4"	SPIRAL	1	0.31 lbs.
62925	36.05	DS	T-111 3"		1	0.38 lbs.
98050	49.30	DS	T-150 3 & 4"		1	0.50 lbs.
98055	35.30	DS	T-150-1 3"	SHARKTOOTH	1	0.37 lbs.
98060	36.55	DS	T-150-2 4"		1	0.44 lbs.
62865	37.55	DS	T-104 2 1/2"	"H" CUTTER	1	0.56 lbs.

12.27 - K-60 Tool Replacement Blades

92850	7.50	DS	For T-212		1	0.06 lbs.
97930	9.25	DS	For T-109		1	0.13 lbs.
97935	9.95	DS	For T-110		1	0.16 lbs.
98070	29.20	DS	For T-103, T-13		1	0.44 lbs.
97800	19.85	DS	For T-104, T-11		1	0.25 lbs.
97920	11.20	DS	For T-105, T-8		1	0.13 lbs.
97925	14.85	DS	For T-106, T-9		1	0.19 lbs.

Cat. Page	Item No.	Resale Price	Disc. Code	Description	Std. Pack	Wt. (lbs.)
-----------	----------	--------------	------------	-------------	-----------	------------

98005	14.85	DS	For T-150-1		1	0.19 lbs.
98010	16.85	DS	For T-150-2		1	0.25 lbs.
97985	33.50	DS	For T-114		1	0.44 lbs.
97915	16.10	DS	For T-215 Set		1	0.16 lbs.
97940	19.45	DS	For T-113 Set		1	0.25 lbs.

12.27 - K-60 Accessories

61615	186.10	DS	A-60-12 12' Rear		1	10.87 lbs.
76575	224.40	DS	A-60-16 16' Rear	GUIDE	1	15.50 lbs.
59415	207.75	DS	A-34-10 10' Rear	HOSE	1	13.63 lbs.
59210	54.65	DS	A-10	CABLE	1	3.25 lbs.
59470	56.85	DS	A-8	CARRIER	1	5.50 lbs.
59360	38.65	DS	A-3 Tool Box		1	5.50 lbs.
59225	2.95	DS	A-12 Pin Key f/1/2" Cable		1	0.06 lbs.
59230	3.00	DS	A-13 Pin Key f/ 3/8" Cable		1	0.05 lbs.
59425	136.65	DS	A-36 Cable Caddy		1	15.00 lbs.
59445	28.35	DS	Grease Gun		1	0.50 lbs.
65687	91.95	DP	K-60SP Repl. Jaw Set		1	0.60 lbs.
59205	19.15	DS	A-1 Left Hand		1	0.62 lbs.
59295	19.15	DS	A-2 Right Hand		1	0.62 lbs.

4" Capacity Sectional Machine



12.28 - K-75 - for 1 1/4" to 4" Lines

23737	2085.80	DC	K-75A		1	129.00 lbs.
23747	2537.80	DC	K-75A-SE	115VOLT	1	187.00 lbs.
23742	2085.80	DC	K-75B	60HZ	1	113.00 lbs.
23752	2537.80	DC	K-75B-SE		1	156.00 lbs.

12.29 - K-75 Cables and Leaders

62265	37.45	DS	C-7 7 1/2'		1	4.25 lbs.
62270	27.75	DS	C-8 7 1/2'		1	3.00 lbs.
51317	44.65	DS	C-9 10'		1	4.56 lbs.
62275	56.75	DS	C-10 15' All-Purpose		1	9.50 lbs.
30007	33.50	DS	T-127 7/8" Trap Leader		1	2.13 lbs.

12.29 - K-75 Cable Kits

61630	307.55	DS	A-62 7/8" Cable Kit		1	45.50 lbs.
48472	272.85	DS	A-35 Cable Kit		1	17.63 lbs.
48477	333.70	DS	A-35TW 5/8" Tight-Wind		1	28.63 lbs.
61625	150.15	DS	A-61 7/8" Tool Kit		1	8.43 lbs.
59330	53.05	DP	A-376X 5/8" Jawset		1	0.94 lbs.

12.29 - K-75 Tools - Fits C-10

62850	22.00	DS	T-101 Straight		1	0.50 lbs.
62855	22.00	DS	T-102 Funnel	AUGER	1	0.56 lbs.
27642	21.05	DS	T-125 Retrieving		1	0.44 lbs.
62870	27.30	DS	T-105 2-1/2"		1	0.25 lbs.
62875	29.20	DS	T-106 3-1/2"	GREASE CUTTER	1	0.31 lbs.
62880	20.45	DS	T-107 1-3/4"		1	0.25 lbs.
62930	32.85	DS	T-112 1-3/4"		1	0.50 lbs.
62935	37.55	DS	T-113 3"	4-BLADE	1	0.56 lbs.

Cat. Page	Item No.	Resale Price	Disc. Code	Description	Std. Pack	Wt. (lbs.)
62860	51.50	DS	T-103	2-1/2"	1	0.62 lbs.
62915	22.00	DS	T-109	1-3/4"	1	0.25 lbs.
62920	24.85	DS	T-110	2-1/4"	1	0.31 lbs.
62925	36.05	DS	T-111	3"	1	0.38 lbs.
98050	49.30	DS	T-150	3 & 4"	1	0.50 lbs.
98055	35.30	DS	T-150-1	3"	1	0.37 lbs.
98060	36.55	DS	T-150-2	4"	1	0.44 lbs.
62940	167.50	DS	T-114	Chain Knocker	1	3.39 lbs.
62865	37.55	DS	T-104	2 1/2"	"H" CUTTER	1 0.56 lbs.

12.29 - K-75 Tool Replacement Blades

98070	29.20	DS	For T-103, T-13	1	0.44 lbs.
97800	19.85	DS	For T-104, T-11	1	0.25 lbs.
97920	11.20	DS	For T-105, T-8	1	0.13 lbs.
97925	14.85	DS	For T-106, T-9	1	0.19 lbs.
92850	7.50	DS	For T-212	1	0.06 lbs.
97930	9.25	DS	For T-109	1	0.13 lbs.
97935	9.95	DS	For T-110	1	0.16 lbs.
98005	14.85	DS	For T-150-1	1	0.19 lbs.
97985	33.50	DS	For T-114	1	0.44 lbs.
98010	16.85	DS	For T-150-2	1	0.25 lbs.
97940	19.45	DS	For T-113 Set	1	0.25 lbs.
97915	16.10	DS	For T-215 Set	1	0.16 lbs.

12.29 - K-75 Accessories

59205	19.15	DS	A-1	Left Hand	1	0.62 lbs.
59295	19.15	DS	A-2	Right Hand	1	0.62 lbs.
59415	207.75	DS	A-34-10	10' Rear	1	13.63 lbs.
59395	242.20	DS	A-34-12	12' Rear Guide Hose	1	21.00 lbs.
59470	56.85	DS	A-8	CABLE	1	5.50 lbs.
59210	54.65	DS	A-10	CARRIER	1	3.25 lbs.
59360	38.65	DS	A-3	Tool Box	1	5.50 lbs.
59225	2.95	DS	A-12	Pin Key f/1/2" Cable	1	0.06 lbs.
59230	3.00	DS	A-13	Pin Key f/ 3/8" Cable	1	0.05 lbs.
59425	136.65	DS	A-36	Cable Caddy	1	15.00 lbs.
59325	56.20	DP	A-368X	7/8" Jawset	1	0.87 lbs.
59330	53.05	DP	A-376X	5/8" Jawset	1	0.94 lbs.

8" Capacity Sectional Machine



12.30 - K-1500 - for 2" to 8" Lines

23692	2095.35	DC	K-1500A ONLY	115VOLT	1	135.00 lbs.
23712	2929.90	DC	K-1500A w/ C11	60HZ -	1	256.00 lbs.
23702	2936.20	DC	K-1500A w/ C14	A FRAME	1	244.00 lbs.
23697	2095.35	DC	K-1500B ONLY	115VOLT	1	120.00 lbs.
23717	2929.95	DC	K-1500B w/ C11	60HZ -	1	237.00 lbs.
23707	2936.20	DC	K-1500B w/ C14	B FRAME	1	225.00 lbs.
27612	2101.55	DC	K-1500A		1	135.00 lbs.
27592	2929.90	DC	K-1500A SE	230VOLT	1	256.00 lbs.

Cat. Page	Item No.	Resale Price	Disc. Code	Description	Std. Pack	Wt. (lbs.)
27617	2101.55	DC	K-1500B	50HZ	1	120.00 lbs.
27597	2929.90	DC	K-1500B SE		1	237.00 lbs.

10" Capacity Sectional Machine



12.31 - K-1500SP 2" to 10" Lines

46837	2443.85	DC	K-1500 SP Mach Only	115V 60Hz	1	150.00 lbs.
91032	3623.70	DC	K1500SPA w/C14	A Frame	1	310.00 lbs.
43507	2443.85	DC	K-1500 SP Machine Only		1	137.00 lbs.
46907	3623.70	DC	K-1500 SP w/C11 Cble Kit	115V 60Hz	1	317.00 lbs.
91027	3623.70	DC	K-1500SPB w/C-14	B Frame	1	307.00 lbs.



12.33 - K-1500G - for 2" to 10" Lines

44587	3470.80	DC	K-1500G		1	216.00 lbs.
48462	4485.70	DC	K-1500G w/ C-14		1	376.00 lbs.

12.31 - K-1500 Cables, Leaders, and Cable Kits

62280	93.00	DS	C-11	Cable	1	16.60 lbs.
62285	115.95	DS	C-12	Cable	1	21.00 lbs.
62295	93.00	DS	C-14	Cable	1	14.75 lbs.
62300	76.00	DS	C-15	Cable	1	11.00 lbs.
63090	52.10	DS	T-27	Trap Leader	1	2.75 lbs.
62275	56.75	DS	C-10	15' All-Purpose	1	9.50 lbs.
61630	307.55	DS	A-62	7/8" Cable Kit	1	45.50 lbs.
59325	56.20	DP	A-368X	7/8" Jawset	1	0.87 lbs.
59320	48.30	DP	A-369X	Jawset	1	0.69 lbs.
61625	150.15	DS	A-61	7/8" Tool Kit	1	8.43 lbs.

12.31 - K-1500 Accessories

59470	56.85	DS	A-8		1	5.50 lbs.
-------	-------	----	-----	--	---	-----------

Cat. Page	Item No.	Resale Price	Disc. Code	Description	Std. Pack	Wt. (lbs.)
59475	297.75	DS	A-9 Cable Carrier		1	14.00 lbs.
59415	207.75	DS	A-34-10 10' Rear		1	13.63 lbs.
59395	242.20	DS	A-34-12 12' Rear Guide Hose		1	21.00 lbs.
59400	300.25	DS	A-34-16 16' Rear Guide Hose		1	26.40 lbs.
59300	369.10	DS	A-20 Ft. Guide Hose Assy		1	25.00 lbs.
59205	19.15	DS	A-1 Left Hand		1	0.62 lbs.
59295	19.15	DS	A-2 Right Hand		1	0.62 lbs.
59360	38.65	DS	A-3 Tool Box		1	5.50 lbs.
59225	2.95	DS	A-12 Pin Key f/1/2" Cable		1	0.06 lbs.
59440	68.10	DS	T-4 Trap Spoon		1	1.75 lbs.
59240	492.70	DS	A-17 Manhole Guide Pipe		1	23.00 lbs.
59320	48.30	DP	A-369X Jawset		1	0.69 lbs.

12.31 - K-1500 Tools - Fits C-11, C-12, C-14, and C-15

62840	26.70	DS	T-1 Straight		1	0.81 lbs.
61800	28.55	DS	T-2 H.D. Straight		1	1.00 lbs.
63105	26.70	DS	T-3 Funnel		1	1.00 lbs.
61790	28.55	DS	T-4 Funnel	AUGERS	1	1.13 lbs.
63190	27.30	DS	T-5 Straight Ret		1	0.75 lbs.
63195	27.30	DS	T-6 Funnel Ret		1	1.38 lbs.
63200	32.45	DS	T-7 Hook		1	1.38 lbs.

63110	173.65	DS	T-31 3" - 4" Pipe		1	3.60 lbs.
63115	178.60	DS	T-32 6" Pipe	CHAIN	1	4.06 lbs.
63120	183.85	DS	T-33 8" Pipe	KNOCKERS	1	4.50 lbs.

63205	27.30	DS	T-8 2 1/2"		1	0.44 lbs.
63210	28.55	DS	T-9 3 1/2"	GREASE	1	0.44 lbs.
62845	30.35	DS	T-10 4 1/2"	CUTTER	1	0.50 lbs.

59480	37.55	DS	T-11 "H" 2 1/2"		1	0.62 lbs.
59485	43.45	DS	T-12 "H" 3 1/2"		1	0.69 lbs.
61970	52.10	DS	T-13 Sawtooth 2 1/2"		1	0.69 lbs.
61975	59.55	DS	T-14 Sawtooth 3 1/2"		1	0.87 lbs.
61770	110.45	DS	T-15A Exp. 4" - 6"		1	1.56 lbs.
61825	117.20	DS	T-15B Exp. 6" - 8"		1	1.75 lbs.
61960	96.65	DS	T-16 Spiral Bar 4"		1	0.81 lbs.
61850	106.70	DS	T-17 Spiral Bar 6"		1	2.00 lbs.
61855	115.60	DS	T-18 Spiral Bar 8"		1	2.31 lbs.
59625	34.70	DS	T-21 Spiral Sawtooth, 3/12"		1	0.44 lbs.
63075	37.55	DS	T-22 Spiral Sawtooth 3"		1	0.44 lbs.
63085	39.35	DS	T-23 Spiral Sawtooth 4"		1	0.50 lbs.
59765	42.15	DS	T-24-4 Blade 2 1/2"		1	0.50 lbs.
59770	45.90	DS	T-25-4 Blade 3 1/2"		1	0.69 lbs.
59775	54.60	DS	T-26 4-Blade 4 1/2"		1	1.25 lbs.
59780	64.50	DS	T-26-A 4-Blade 5 1/2"		1	1.60 lbs.
98030	65.80	DS	T-50 Three Blade (3",4",5")		1	1.03 lbs.
98035	36.05	DS	T-50-1 Sharktooth 3"		1	0.56 lbs.
98040	37.55	DS	T-50-2 Sharktooth 4"		1	0.56 lbs.
98045	40.65	DS	T-50-3 Sharktooth 5"		1	0.81 lbs.

63145	80.65	DS	T-38 1 1/2"		1	0.75 lbs.
63150	86.15	DS	T-39 2"		1	0.75 lbs.
63155	93.10	DS	T-40 2 1/2"		1	0.74 lbs.
63160	99.25	DS	T-41 3"		1	1.25 lbs.
63165	104.85	DS	T-42 3 1/2"	FLUE	1	1.25 lbs.
63170	110.45	DS	T-43 4"	BRUSH	1	1.31 lbs.
63175	116.90	DS	T-44 4 1/2"		1	1.52 lbs.
63240	122.80	DS	T-45 5"		1	1.61 lbs.
63180	129.05	DS	T-46 5 1/2"		1	1.50 lbs.
63185	135.20	DS	T-47 6"		1	2.00 lbs.

12.31 - K-1500 Tool Replacement Blades

97920	11.20	DS	For T-105, T-8		1	0.13 lbs.
97925	14.85	DS	For T-106, T-9		1	0.19 lbs.
97865	16.85	DS	For T-10		1	0.31 lbs.
97800	19.85	DS	For T-104, T-11		1	0.25 lbs.
97945	23.00	DS	For T-12		1	0.31 lbs.
98070	29.20	DS	For T-103, T-13		1	0.44 lbs.
98075	32.85	DS	For T-14		1	0.44 lbs.
62970	22.70	DS	For T-15A		1	0.31 lbs.
62980	26.05	DS	For T-15B		1	0.44 lbs.
97855	46.20	DS	For T-16		1	0.69 lbs.
97955	53.90	DS	For T-17		1	1.63 lbs.
97960	61.10	DS	For T-18		1	2.13 lbs.
97965	11.75	DS	For T-21		1	0.19 lbs.

Cat. Page	Item No.	Resale Price	Disc. Code	Description	Std. Pack	Wt. (lbs.)
97970	17.95	DS	For T-22		1	0.21 lbs.
97850	19.45	DS	For T-23		1	0.28 lbs.
97975	26.70	DS	For T-25		1	0.44 lbs.
97805	36.55	DS	For T-26		1	0.63 lbs.
97980	60.40	DS	For T-26A		1	1.16 lbs.
98005	14.85	DS	For T-150-1		1	0.19 lbs.
98010	16.85	DS	For T-150-2		1	0.25 lbs.
98015	18.65	DS	For T-50-3		1	0.44 lbs.
97985	33.50	DS	For T-114		1	0.44 lbs.
97990	35.30	DS	For T-32		1	0.75 lbs.
97995	37.25	DS	For T-33		1	1.00 lbs.
97940	19.45	DS	For T-113 Set		1	0.25 lbs.

24" Capacity Machine



12.34 - K-1000 Rodding Machine for 8" to 24" Lines

59175	3251.35	DC	K-1000 Machine Only		1	183.00 lbs.
84295	4137.40	DC	K-1000 Machine Complete		1	190.00 lbs.

12.35 - K-1000 Rods

60355	28.50	DS	A-2474 Solid Sectional Rod		1	1.25 lbs.
60360	43.35	DS	A-2475 Solid Sectional Rod		1	1.81 lbs.
60365	74.20	DS	A-2476 Solid Sectional Rod		1	3.13 lbs.

12.35 - K-1000 Tools

62045	61.35	DS	T-300 Spear Head		1	0.51 lbs.
62050	78.20	DS	T-301, 1 1/2"		1	1.38 lbs.
62055	78.20	DS	T-302, 2"	ROUND	1	1.50 lbs.
62060	78.20	DS	T-303, 2 1/2"	STOCK	1	1.63 lbs.
62065	79.70	DS	T-304, 3"	CORKSCREW	1	1.75 lbs.
62070	80.65	DS	T-305, 3 1/2"		1	1.63 lbs.
62075	93.10	DS	T-306 3"		1	2.19 lbs.
62080	97.95	DS	T-307 4"	DOUBLE	1	1.94 lbs.
62085	122.80	DS	T-308 5"	CORKSCREW	1	2.69 lbs.

62090	141.40	DS	T-309 3"		1	1.50 lbs.
62095	143.95	DS	T-310 4"		1	2.13 lbs.
62100	145.15	DS	T-311 5"	SQUARE	1	3.38 lbs.
62105	166.20	DS	T-312 6"	STOCK	1	3.63 lbs.
62370	189.75	DS	T-313 8"	CORKSCREW	1	6.44 lbs.
62375	285.25	DS	T-314 10"		1	7.63 lbs.
62380	310.10	DS	T-315 12"		1	8.19 lbs.

62110	114.15	DS	T-316 3"		1	1.16 lbs.
62115	126.50	DS	T-317 4"		1	3.25 lbs.
62120	173.65	DS	T-318 5"		1	4.44 lbs.
62125	219.55	DS	T-319 6"	AUGER	1	5.00 lbs.
62385	230.65	DS	T-320 8"		1	8.44 lbs.
62390	277.80	DS	T-321 10"		1	9.50 lbs.

62140	62.05	DS	T-326 Pick-Up Tool		1	1.06 lbs.
-------	-------	----	--------------------	--	---	-----------

12.35 - K-1000 Replacement Blades

61800	28.55	DS	T-2 H.D. Straight		1	1.00 lbs.
-------	-------	----	-------------------	--	---	-----------

Cat. Page	Item No.	Resale Price	Disc. Code	Description	Std. Pack	Wt. (lbs.)
-----------	----------	--------------	------------	-------------	-----------	------------

Gas Powered Water Jetters



12.38 - KJ-2200 Water Jetter 1 1/4 - 6" Lines

63877	2458.85	DC	KJ-2200-Gas	1	84.00 lbs.
63882	3500.30	DC	KJ-2200-C	1	174.00 lbs.

12.39 - KJ-2200 Jetter Nozzles & Hoses

64772	37.00	DS	H-61 Propulsion	1/8" NPT	1	0.03 lbs.
64777	37.00	DS	H-62 Penetrating	FITS	1	0.03 lbs.
64782	62.45	DS	H-64 Drop Head	1/4" HOSE	1	0.06 lbs.

64792	41.20	DS	H-72 Penetrating		1	0.05 lbs.
64787	41.20	DS	H-71 Propulsion	1/4" NPT	1	0.10 lbs.
82842	144.90	DS	H65 1/8 Spinning Nozzle	FITS	1	0.05 lbs.
82852	191.95	DS	H75 1/4 Spinning Nozzle	1/2" HOSE	1	0.11 lbs.

47592	77.45	DS	H-1425 25'		1	1.94 lbs.
47597	99.05	DS	H-1435 35'		1	2.81 lbs.
47602	129.15	DS	H-1450 50'	1/4" JET HOSE	1	3.56 lbs.
49272	209.25	DS	H-1475 75'		1	4.94 lbs.
49277	266.95	DS	H-1400 100'		1	5.94 lbs.
64732	370.80	DS	H-1415 150'		1	8.74 lbs.

50002	27.25	DS	HL-1 1/4"	FLEXIBLE LEADER	1	0.09 lbs.
50007	30.20	DS	HL-2 1/2"		1	0.19 lbs.

47607	150.70	DS	H-1250 50'		1	4.81 lbs.
47612	222.25	DS	H-1275 75'		1	6.19 lbs.
47617	286.60	DS	H-1200 100'	1/2" JET HOSE	1	7.94 lbs.
51587	315.45	DS	H-1211 110'		1	8.94 lbs.
49487	387.55	DS	H-1215 150'		1	11.75 lbs.
51597	444.85	DS	H-1220 200'		1	15.69 lbs.

12.39 - KJ-2200 Jetter Accessories

62882	434.70	DS	H-5 Mini Hose Reel w/o Hose	1	22.00 lbs.
64737	866.95	DS	H-30 Cart w/Reel	1	83.00 lbs.
62877	1360.50	DS	H-30-WH Cart & 110'x1/2" Hose	1	90.00 lbs.
64077	297.55	DS	HP-22 Pressure Wash Pkg.	1	8.00 lbs.
64767	155.80	DS	HW-22 Wash Wand	1	5.56 lbs.
51572	103.20	DS	1/2" x 35' Wash Hose	1	3.75 lbs.
48157	183.10	DS	FV-1 Foot Valve	1	8.19 lbs.
66732	48.25	DS	HF-4 Hose Reel To Foot Valve	1	1.94 lbs.
48367	68.40	DS	Winterizing Kit	1	10.13 lbs.
47542	14.15	DS	H-21 Nozzle Clng Tool	1	0.13 lbs.
67187	208.60	DC	H-32 Jet Vac	1	9.10 lbs.

Cat. Page	Item No.	Resale Price	Disc. Code	Description	Std. Pack	Wt. (lbs.)
-----------	----------	--------------	------------	-------------	-----------	------------

Gas Powered Water Jetters



12.40 - KJ-3000 Water Jetters 2 - 6" Lines

64882	5396.80	DC	KJ-3000 Complete	1	246.00 lbs.
64892	5960.75	DC	KJ-3000-E	1	256.00 lbs.

12.40 - Root Ranger Nozzle

16713	375.95	DC	3000 Nozzle 1/4" NPT Fits 3/8" Hose	1	3.00 lbs.
-------	--------	----	-------------------------------------	---	-----------

12.41 - KJ-3000 Jetter Nozzles & Hoses

64802	41.30	DS	H-81 Propulsion		1	0.03 lbs.
64807	41.30	DS	H-82 Penetrating	1/2" NPT	1	0.03 lbs.
64812	65.30	DS	H-84 Drop Head	FITS 1/4" HOSE	1	0.06 lbs.

64817	45.30	DS	H-91 Propulsion	1/2" NPT	1	0.01 lbs.
64822	45.30	DS	H-92 Penetrating	FITS 3/8" HOSE	1	0.04 lbs.

82847	146.05	DS	H-85 1/4" 3000	SPINNING NOZZLE	1	0.05 lbs.
82857	193.35	DS	H-95 1/4" 3000		1	0.12 lbs.

47592	77.45	DS	H-1425 25'		1	1.94 lbs.
47597	99.05	DS	H-1435 35'		1	2.81 lbs.
47602	129.15	DS	H-1450 50'	1/4" TRAP HOSE	1	3.56 lbs.
49272	209.25	DS	H-1475 75'		1	4.94 lbs.
49277	266.95	DS	H-1400 100'	(ORANGE)	1	5.94 lbs.
64732	370.80	DS	H-1415 150'		1	8.74 lbs.

64827	212.40	DS	H-3835 35'		1	5.35 lbs.
64832	252.70	DS	H-3850 50'		1	6.73 lbs.
64837	540.95	DS	H-3810 100'		1	12.00 lbs.
64842	815.05	DS	H-3815 150'	3/8" JET HOSE	1	18.59 lbs.
64847	1087.10	DS	H-3820 200'	(BLACK)	1	25.00 lbs.
64852	1335.45	DS	H-3825 250'		1	30.48 lbs.
64857	1575.15	DS	H-3830 300'		1	35.85 lbs.

12.41 - KJ-3000 Accessories

62882	434.70	DS	H-5 Mini Hose Reel w/o Hose	1	22.00 lbs.
64862	493.75	DS	Hose Reel f/ KJ-3000	1	35.00 lbs.
64902	1927.80	DS	H-38-WH 200'x3/8" ID Hose	1	53.10 lbs.
64797	155.80	DS	HW-30 Wash Wand	1	5.54 lbs.
48367	68.40	DS	Winterizing Kit	1	10.13 lbs.
48157	183.10	DS	FV-1 Foot Valve	1	8.19 lbs.
66732	48.25	DS	HF-4 Hose Reel To Foot Valve	1	1.94 lbs.
47542	14.15	DS	H-21 Nozzle Clng Tool	1	0.13 lbs.
67187	208.60	DC	H-32 Jet Vac	1	9.10 lbs.

Cat. No.	Code	Resale Price	Cat. No.	Code	Resale Price	Cat. No.	Code	Resale Price	Cat. No.	Code	Resale Price	Cat. No.	Code	Resale Price
10251	HC	59.10	16493	HS	26.85	20543	PC	608.50	23488	HS	17.30	26643	HS	26.15
10261	HC	59.10	16503	HS	21.85	20548	PC	634.35	23492	HC	916.75	26648	HS	295.95
10271	HC	59.10	16508	HS	24.05	20553	PC	711.95	23493	HC	31.45	26658	HC	54.95
10281	HC	59.10	16513	HS	27.30	20826	TC	135.70	23498	HC	57.15	26663	HC	84.75
10291	HC	59.10	16573	HS	8.25	20903	TC	138.10	23508	DC	406.90	26668	HC	17.75
10301	HC	59.10	16703	HS	340.00	20908	TC	138.10	23513	DC	516.20	26707	TP	13.95
10311	HC	59.10	16708	TC	1283.20	20913	TC	144.85	23518	DC	587.50	26773	DS	137.75
10321	HC	59.10	16713	DC	375.95	20918	TC	144.85	23523	DC	452.55	26778	DC	83.10
10341	HC	94.15	16718	TC	1794.90	20923	TC	124.10	23578	HC	132.95	26803	HP	9.35
10348	HC	26.45	16723	TC	397.25	20928	TC	138.10	23668	DC	4289.95	26993	DC	537.30
10351	HC	94.15	16728	DC	315.60	20933	TC	138.10	23692	DC	2095.35	26998	DC	621.25
10358	HC	32.55	16803	PC	95.05	20938	TC	124.10	23697	DC	2095.35	27003	DC	576.25
10361	HC	94.15	16818	PC	94.30	20943	TC	124.10	23702	DC	2936.20	27008	DC	771.20
10491	TC	346.45	16948	PC	1270.15	20948	TC	138.10	23707	DC	2936.20	27013	DC	816.20
10883	TC	280.80	16953	PC	2034.65	20953	TC	138.10	23712	DC	2929.90	27048	DS	220.90
10888	TC	236.25	16958	PC	141.30	20958	TC	124.10	23717	DC	2929.95	27423	PC	1475.45
10973	HC	2275.80	16963	PC	141.30	20973	UC	507.35	23737	DC	2085.80	27428	PC	992.55
12128	DS	28.45	16978	PC	141.30	21103	PC	97.95	23742	DC	2085.80	27592	DC	2929.90
12138	TC	126.15	16988	PC	2058.20	21113	HS	309.40	23747	DC	2537.80	27597	DC	2929.90
12248	DC	169.50	16993	PC	1658.45	21188	HE	15.30	23752	DC	2537.80	27612	DC	2101.55
12543	DC	9.45	17003	PC	141.30	21193	HC	107.15	23868	DC	12116.90	27617	DC	2101.55
12638	HC	40.45	17008	PC	141.30	21218	TC	105.90	23873	DC	12966.65	27642	DS	21.05
12643	HC	44.25	17013	PC	141.30	21338	DS	22.05	23878	DC	11393.85	27848	HS	395.95
12683	PP	130.00	17018	PC	140.15	21393	HS	18.60	23883	DC	12237.45	27858	HP	15.60
12693	HC	51.75	17497	HC	17.30	21398	HS	18.60	23888	DC	10237.15	27898	PC	88.95
12698	HC	65.25	17502	HC	19.30	21403	HS	18.60	23893	PC	2058.20	27903	PC	134.95
12831	HC	133.70	17507	HC	21.50	21408	HS	21.40	23908	DS	241.80	27913	PC	2474.85
13958	DC	11636.90	17512	HC	23.50	21413	HS	44.20	24087	HC	87.10	27918	PC	2815.40
13978	DC	12486.65	17517	HC	33.65	21418	HS	27.75	24537	HC	557.80	27923	PC	3310.65
13988	DC	7826.95	17522	HC	41.05	21423	HS	20.00	24542	HC	383.20	27928	PC	1884.45
13998	DC	8676.70	17527	HC	71.95	21428	HS	34.35	24582	HC	35.30	27933	PC	115.00
14013	DS	11.65	17532	HC	90.40	21433	HS	21.40	24587	HC	1827.25	27938	PC	2004.05
14028	DC	3075.60	17537	HC	162.30	21438	HS	21.40	24597	HS	22.85	27943	PC	2291.45
14038	DC	6504.05	17542	HC	224.50	21847	HC	51.00	24622	HS	65.15	27948	PC	2820.00
14043	DC	7374.95	17547	HC	11.10	21857	HC	124.20	24627	HS	65.15	27953	PC	1919.60
14048	DC	5747.35	17552	HC	10.60	21878	PC	552.25	24632	HS	65.15	27958	PC	124.25
14053	DC	7103.90	17557	HC	12.00	21888	DC	363.05	24637	HS	67.30	27968	PC	127.45
14058	DC	7947.50	17562	HC	13.85	21893	UC	2583.00	24642	HS	78.30	27998	PC	233.80
14063	DC	5947.20	17567	HC	24.55	21898	UC	937.85	24647	HS	78.40	28003	PC	261.70
14068	DC	1514.30	17572	HC	31.40	21903	UC	1875.75	24652	HS	70.90	28008	PC	272.80
14073	DC	1490.60	17577	HC	60.20	22086	HP	46.20	24657	HS	70.90	28013	PC	283.95
14078	DC	2344.55	17582	HC	78.45	22088	TS	12.65	24797	HC	75.70	28018	PC	287.00
14083	DC	1903.65	17587	HC	128.10	22163	UC	3254.35	24853	DC	564.95	28023	PC	289.50
14213	HS	63.80	17592	HC	195.45	22173	UC	148.65	24913	PC	53.25	28028	PC	128.50
14218	HS	72.65	17597	HC	31.40	22388	DC	151.45	24923	PC	212.20	28033	PC	530.00
14223	HS	86.10	17602	HC	6.60	22563	TC	420.95	25343	PC	1790.55	28038	PC	128.50
14228	HS	112.00	18363	HC	39.35	22638	TC	111.25	25423	DS	306.80	28043	PC	1475.45
14233	HS	146.10	18368	HC	45.45	22653	PC	189.90	25428	DS	135.00	28048	PC	1733.10
14238	HS	195.40	18373	HC	53.60	22658	PC	189.90	25588	HP	14.15	28433	PC	18.90
14388	HC	1601.70	18378	HC	72.05	22663	PC	189.90	25638	TC	885.00	29798	UC	148.65
14818	DC	1552.45	18383	HC	93.10	22668	PC	189.90	25643	HC	249.90	30007	DS	33.50
14988	HC	38.90	18388	HC	134.05	22673	PC	195.15	25648	HS	381.45	30012	HC	53.00
14993	HC	56.75	18588	TC	889.95	22678	PC	249.95	25653	HS	425.05	30032	HC	351.45
15071	HC	167.05	18628	HS	19.70	22683	PC	178.40	26092	TC	9076.90	30068	HC	115.75
15173	HC	12.40	18633	HS	26.05	22688	PC	197.35	26097	TC	9324.60	30118	TC	70.95
15183	HC	12.40	18638	HS	24.05	22708	HS	243.00	26127	TC	9076.90	31000	HC	14.80
15233	HC	7.85	18718	HS	166.90	22713	HS	112.25	26132	TC	583.90	31005	HC	17.30
15317	TE	98.65	18723	HS	231.75	22718	HS	129.40	26137	TC	583.90	31010	HC	22.80
15323	DC	691.25	19148	DC	144.25	22953	PC	140.15	26142	TC	583.90	31015	HC	26.35
15682	TC	4264.00	19238	DC	1496.50	22958	PC	140.15	26147	TC	583.90	31020	HC	29.50
15722	TC	4285.00	19258	DC	76.20	22963	PC	140.15	26148	HC	279.95	31025	HC	42.60
15733	DC	28.30	19263	DC	76.20	22968	PC	140.15	26152	TC	1023.75	31030	HC	67.50
15813	HS	110.00	19268	DC	76.20	22973	PC	140.15	26157	TC	1023.75	31035	HC	144.00
15828	DC	691.25	19273	DC	76.20	22978	PC	176.95	26162	TC	440.30	31040	HC	217.10
15838	HC	20.40	19366	TC	41.50	23282	TC	452.45	26163	PC	530.00	31045	HC	316.30
16013	TC	1795.75	19793	DC	160.80	23297	TC	441.15	26167	TC	489.00	31050	HC	17.20
16202	HC	27.00	19813	PC	141.30	23332	HC	50.20	26168	UC	2967.35	31055	HC	19.95
16207	HC	26.80	20000	TC	5589.00	23337	HC	83.50	26187	TC	203.70	31060	HC	26.55
16372	HC	4588.30	20105	TC	908.05	23342	HC	54.75	26192	TE	256.90	31065	HC	30.90
16382	HC	2208.90	20168	DC	906.00	23443	PC	145.20	26212	TC	456.80	31070	HC	35.30
16387	HC	409.60	20208	HS	22.60	23448	PC	145.20	26217	TC	326.00	31075	HC	50.50
16392	HC	551.80	20213	HC	19.20	23453	PC	145.20	26247	TP	182.80	31080	HC	79.45
16397	HC	608.45	20218	HC	22.95	23458	PC	145.20	26453	HS	44.80	31085	HC	168.70
16402	HC	281.30	20233	HC	21.25	23463	PC	188.20	26458	HS	108.10	31090	HC	36.35
16458	HS	11.60	20238	HS	20.50	23468	PC	166.70	26573	HS	14.40	31095	HC	49.35
16468	HS	19.70	20243	HS	224.95	23473	PC	3.85	26578	HS	9.80	31100	HC	61.55
16473	HS	33.25	20248	DC	103.35	23477	HC	1000.00	26583	HS	6.00	31105	HC	98.25
16483	HS	19.45	20483	PC	2473.95	23478	PC	3.85	26588	HS	4.90	31110	HC	169.05
16488	HS	17.30	20503	DC	503.90	23487	HC	335.70	26593	HS	38.15	31115	HC	333.05

Cat. No.	Code	Resale Price	Cat. No.	Code	Resale Price	Cat. No.	Code	Resale Price	Cat. No.	Code	Resale Price	Cat. No.	Code	Resale Price
31120	HC	62.30	31715	HP	1.50	33150	HE	19.35	35610	HC	14.15	36680	TC	877.00
31125	HC	84.75	31720	HC	78.00	33155	HE	26.05	35615	HC	17.10	36690	TC	877.00
31130	HC	130.20	31725	HC	31.75	33160	HE	6.00	35620	HC	25.15	36875	TC	69.35
31170	HC	27.95	31730	HC	10.40	33165	HE	7.00	35625	HC	39.75	36880	TC	69.35
31175	HC	34.35	31735	HC	16.00	33170	HE	7.40	35630	HC	48.65	36885	TC	69.35
31180	HC	39.65	31740	HP	1.50	33175	HE	9.65	35635	HC	93.65	36890	TC	69.10
31275	HC	55.00	31745	HC	116.25	33180	HE	10.30	35640	HC	52.70	36895	TC	69.10
31280	HC	84.45	31750	HC	50.05	33185	HE	6.00	35645	HC	95.85	36900	TC	74.45
31305	HC	32.25	31755	HC	12.40	33190	HE	7.55	35650	HC	108.15	36902	TC	965.05
31310	HC	47.20	31760	HC	24.75	33195	HE	10.35	35655	HC	109.35	36912	TC	1273.60
31315	HC	60.35	31765	HP	1.50	33200	HE	15.50	35660	HC	134.40	36932	TC	1288.45
31320	HC	90.20	31770	HC	185.40	33205	HE	6.25	35665	HC	206.30	36935	TC	76.25
31325	HC	104.70	31775	HC	82.60	33210	HE	10.35	35670	HC	42.95	36940	TC	76.25
31330	HC	214.90	31780	HC	20.90	33220	HE	11.75	35675	HC	48.55	36942	HC	90.40
31335	HC	28.75	31785	HC	43.85	33225	HE	11.75	35680	HC	68.70	36945	TC	76.25
31340	HC	31.65	31787	HC	167.85	33642	TE	256.90	35685	HC	78.50	36947	HC	96.80
31345	HC	36.30	31790	HP	1.65	33665	HP	37.50	35695	HC	21.30	36950	TC	76.25
31350	HC	39.10	31792	HC	173.90	33927	HC	103.60	35720	HC	4.45	36952	HC	112.10
31355	HC	35.55	31797	HC	353.45	34077	TE	372.75	35725	HC	5.40	36955	TC	76.25
31360	HC	63.55	31802	HC	25.95	34082	TE	372.75	35730	HC	9.40	36957	HC	125.80
31365	HC	76.30	31807	HC	36.05	34087	TE	372.75	35735	HC	12.90	36960	TC	76.25
31370	HC	66.60	31817	HC	71.45	34092	TE	372.75	35740	HC	13.80	36962	HC	118.20
31375	HC	335.65	31822	TE	198.90	34142	HC	17.85	35745	HC	24.55	36965	TC	76.25
31380	HC	490.25	31827	TE	281.70	34147	HC	11.80	35750	HC	28.70	36967	HC	133.55
31385	HC	663.50	31832	TE	281.70	34152	HC	404.25	35755	HC	45.40	36970	TC	76.25
31390	HC	988.00	31990	HC	11.75	34157	TC	329.50	35760	HC	22.30	36972	HC	126.05
31395	HC	29.50	32015	HC	12.50	34162	TC	329.50	35765	HC	3.05	36975	TC	76.25
31400	HC	38.75	32020	HC	15.65	34167	TC	349.40	35770	HC	3.05	36980	TC	76.25
31405	HC	68.60	32025	HC	22.15	34217	TS	138.30	35775	HC	3.05	36985	TC	76.25
31410	HC	38.25	32035	HC	13.85	34497	TC	77.00	35780	HC	3.05	36990	TC	76.25
31487	DP	12.75	32050	HC	29.95	34572	HC	82.20	35785	HC	2.80	36995	TC	71.95
31492	DP	16.00	32055	HC	42.05	34577	TP	132.00	35790	HC	3.05	37000	TC	71.95
31555	HC	9.60	32065	HC	29.95	34612	TC	163.80	35795	HC	3.60	37005	TC	71.95
31560	HC	4.45	32237	TE	256.90	34617	TC	229.55	35800	HC	3.05	37010	TC	71.95
31565	HC	2.95	32242	TE	256.90	34695	HE	10.70	35805	HC	3.75	37015	TC	71.95
31570	HC	2.80	32645	HC	26.95	34945	HC	190.25	35815	HC	11.65	37020	TC	71.95
31575	HP	1.60	32655	HC	41.95	34950	HC	379.75	35820	HC	13.05	37025	TC	102.75
31580	HC	9.60	32690	HC	16.75	34955	HC	228.80	35825	HC	18.40	37030	TC	102.75
31585	HC	5.45	32737	DS	207.85	34960	HC	407.80	35830	HC	22.20	37035	TC	102.75
31590	HC	3.05	32785	HC	19.25	34965	HC	21.00	35835	HC	31.95	37040	TC	102.75
31595	HC	2.95	32810	HC	128.70	34975	HP	101.25	35840	HC	48.20	37045	TC	102.75
31597	HC	8.05	32820	HC	147.00	35020	HP	144.05	35845	HC	67.20	37050	TC	112.50
31600	HP	1.50	32825	HC	152.95	35090	HP	282.20	35850	HC	90.25	37055	TC	112.50
31602	HC	8.05	32830	HC	257.60	35135	HP	300.15	35855	HC	133.05	37095	TC	107.15
31605	HC	12.40	32840	HC	382.00	35155	HC	19.85	35867	TC	100.40	37100	TC	107.15
31607	HC	8.05	32845	HC	399.30	35170	HC	305.80	35877	TC	852.45	37105	TC	107.15
31610	HC	7.20	32850	HC	560.20	35175	HC	413.60	35882	TP	81.15	37110	TC	107.15
31612	HC	8.05	32870	HC	166.15	35180	HC	413.60	35900	HS	8.50	37115	TC	107.15
31615	HC	3.05	32880	HC	445.10	35215	HC	31.65	35910	HS	9.25	37120	TC	117.40
31617	HC	9.20	32895	HC	174.00	35220	HC	50.15	35915	HS	9.25	37125	TC	117.40
31620	HC	3.25	32900	HC	569.00	35225	HC	76.90	35920	HS	9.25	37130	TC	107.15
31622	HC	27.70	32905	HC	567.40	35230	HC	41.90	36005	HC	29.75	37135	TC	107.15
31625	HP	1.50	32910	HC	27.40	35235	HC	44.15	36092	HC	74.00	37140	TC	107.15
31627	HC	29.05	32915	HC	28.50	35240	HC	97.50	36097	HC	64.25	37145	TC	107.15
31630	HC	14.35	32920	HC	31.65	35245	HC	23.25	36102	HC	66.55	37150	TC	107.15
31632	HC	46.40	32925	HC	32.90	35250	HC	25.65	36112	HC	60.00	37155	TC	117.40
31635	HC	9.25	32930	HC	61.45	35255	HC	29.45	36117	HC	64.90	37160	TC	117.40
31637	HC	53.45	32935	HC	63.05	35260	HC	29.45	36122	HC	59.40	37165	TC	102.75
31640	HC	3.55	32940	HC	95.10	35265	HC	33.40	36127	HC	108.50	37170	TC	102.75
31642	HC	74.80	32950	HC	96.75	35270	HC	33.40	36132	HC	109.25	37175	TC	102.75
31645	HC	3.55	32970	HC	161.15	35275	HC	41.90	36345	TC	240.85	37180	TC	102.75
31647	HC	83.75	32975	HC	13.00	35280	HC	41.90	36355	TC	305.50	37185	TC	102.75
31650	HP	1.50	32985	HC	15.20	35285	HC	19.35	36375	TC	432.60	37190	TC	112.50
31652	HC	114.45	33005	HC	214.20	35290	HC	34.00	36390	TC	397.30	37195	TC	112.50
31655	HC	16.95	33055	HC	74.50	35535	HC	5.35	36475	TC	709.65	37375	TC	90.50
31657	HC	121.05	33057	TE	256.90	35540	HC	6.25	36480	TC	468.15	37380	TC	90.50
31660	HC	4.00	33070	HC	75.80	35545	HC	6.50	36505	TC	956.00	37385	TC	90.50
31662	HC	143.45	33072	TE	312.75	35550	HC	6.30	36510	TC	706.75	37390	TC	97.10
31665	HC	4.00	33077	TE	312.75	35555	HC	7.45	36540	TC	280.05	37395	TC	97.10
31667	HC	152.65	33085	HC	77.60	35560	HC	16.40	36550	TC	330.90	37400	TC	123.60
31670	HC	23.80	33100	HE	8.65	35565	HC	17.15	36555	TC	330.90	37405	TC	123.60
31675	HC	12.40	33105	HE	10.90	35570	HC	18.95	36560	TC	330.90	37410	TC	136.25
31680	HC	7.20	33110	HE	11.40	35575	HC	23.30	36565	TC	839.35	37415	TC	136.25
31685	HC	5.90	33115	HE	9.05	35580	HC	29.90	36570	TC	1000.80	37435	TC	97.10
31690	HP	1.50	33120	HE	13.85	35585	HC	90.80	36592	HC	103.00	37440	TC	97.10
31695	HC	37.15	33125	HE	17.40	35590	HC	477.30	36597	HC	98.50	37445	TC	123.60
31700	HC	18.95	33130	HE	19.20	35595	HC	11.10	36620	TC	2335.10	37450	TC	123.60
31705	HC	8.05	33135	HE	17.40	35600	HC	11.80	36630	TC	3713.50	37455	TC	136.25
31710	HC	8.70	33145	HE	19.05	35605	HC	11.90	36662	TP	219.70	37460	TC	136.25

Cat. No.	Code	Resale Price	Cat. No.	Code	Resale Price	Cat. No.	Code	Resale Price	Cat. No.	Code	Resale Price	Cat. No.	Code	Resale Price
37465	TC	96.35	37895	TE	76.25	40130	HS	533.45	42490	TC	200.00	47910	TE	198.90
37470	TC	96.35	37900	TE	56.55	40165	HC	287.60	42505	HS	302.40	47930	TE	198.90
37475	TC	96.35	37905	TE	56.55	40170	HC	294.60	42510	HS	320.35	47940	TE	198.90
37480	TC	103.10	37910	TE	56.55	40175	HC	125.95	42575	TC	166.90	48157	DS	183.10
37485	TC	103.10	37915	TE	66.00	40180	HC	208.20	42600	TC	149.10	48215	TE	218.00
37490	TC	129.70	37920	TE	66.00	40185	HC	126.25	42605	TC	235.85	48220	TE	218.00
37495	TC	129.70	37925	TE	66.00	40190	HC	125.95	42610	TC	108.50	48225	TE	218.00
37500	TC	152.70	37930	TE	81.95	40195	HC	208.50	42615	TC	162.65	48230	TE	218.00
37505	TC	152.70	37935	TE	81.95	40200	HC	207.90	42620	TC	104.20	48235	TE	218.00
37510	TC	96.35	37940	TE	81.95	40205	HC	278.25	42625	TC	188.90	48240	TE	218.00
37515	TC	96.35	37945	TE	51.15	40210	HC	380.95	42950	TC	153.55	48245	TE	218.00
37520	TC	96.35	37950	TE	51.15	40215	HC	500.30	42956	TS	95.35	48250	TE	218.00
37525	TC	103.10	37955	TE	51.15	40220	HC	162.05	43292	TC	90.35	48255	TE	218.00
37530	TC	103.10	37960	TE	51.15	40222	HP	133.90	43507	DC	2443.85	48260	TE	218.00
37535	TC	129.70	37965	TE	52.20	40225	HC	237.45	43637	DS	431.60	48265	TE	218.00
37540	TC	129.70	37970	TE	58.90	40230	HC	200.65	43642	DS	353.70	48270	TE	218.00
37545	TC	152.70	37975	TE	60.25	40235	HC	432.25	43647	DS	314.75	48275	TE	218.00
37550	TC	152.70	37980	TE	66.00	40617	HC	21.30	43890	TS	58.70	48280	TE	218.00
37555	TC	90.50	37985	TE	66.00	41162	HC	115.70	44117	DP	73.65	48285	TE	218.00
37560	TC	90.50	37997	TP	134.45	41212	DS	310.70	44122	DP	73.65	48290	TE	218.00
37565	TC	90.50	38050	TE	71.90	41285	HC	299.85	44185	HE	19.55	48292	TC	472.65
37570	TC	97.10	38055	TE	71.90	41295	HC	299.85	44190	HE	27.65	48295	TE	223.65
37575	TC	97.10	38060	TE	106.50	41300	HC	299.85	44200	TS	117.70	48297	TC	3756.60
37580	TC	123.60	38065	TE	106.50	41312	HE	11.60	44587	DC	3470.80	48305	TE	223.65
37585	TC	123.60	38070	TE	106.50	41315	HC	15.00	44852	HC	38.70	48307	TC	1073.00
37590	TC	136.25	38075	TE	106.50	41317	HE	11.50	44992	TE	223.20	48310	TE	223.65
37595	TC	136.25	38080	TE	106.50	41320	HC	11.90	44997	TE	111.65	48315	TE	223.65
37610	TC	54.80	38085	TE	106.50	41325	HC	14.70	45002	TE	111.65	48320	TE	223.65
37615	TC	54.80	38100	TE	83.95	41330	HC	15.00	45007	TC	1072.50	48325	TE	223.65
37620	TC	54.80	38105	TE	100.35	41335	HC	18.90	45347	TC	307.70	48330	TE	223.65
37625	TC	54.80	38110	TE	91.20	41340	HC	31.25	45352	TC	318.55	48335	TE	223.65
37630	TC	70.55	38120	TE	317.60	41345	HC	41.30	46015	TP	2.35	48340	TE	223.65
37635	TC	70.55	38125	TE	350.55	41350	HC	65.65	46105	HC	36.75	48345	TE	223.65
37640	TC	70.55	38130	TE	323.75	41565	TS	11.05	46660	TP	116.90	48350	TE	223.65
37645	TC	105.70	38140	TE	630.75	41575	TS	99.90	46732	TE	350.55	48355	TE	223.65
37650	TC	105.70	38155	TE	471.45	41585	TS	731.30	46737	TE	350.55	48360	TE	223.65
37655	TC	123.55	38220	TE	350.55	41590	TS	9.75	46742	TE	350.55	48367	DS	68.40
37675	TC	67.05	38225	TE	350.55	41600	TS	81.70	46747	TE	350.55	48375	TE	223.65
37695	TC	146.30	38230	TE	350.55	41610	TS	616.45	46837	DC	2443.85	48377	TC	3756.60
37710	TC	54.80	38235	TE	350.55	41620	TP	15.60	46852	TC	1073.00	48382	TC	3757.00
37715	TC	54.80	38240	TE	350.55	41697	DS	402.70	46907	DC	3623.70	48387	TC	3757.00
37720	TC	54.80	38245	TE	350.55	41855	TC	2515.05	47047	DC	1932.35	48392	TC	472.65
37725	TC	54.80	38255	TE	350.55	41860	TC	2521.10	47057	HC	43.50	48397	TC	472.65
37730	TC	70.55	38335	TE	29.15	41935	TC	1483.20	47087	HS	28.15	48402	TC	472.65
37735	TC	70.55	38340	TE	29.15	41937	DS	18.50	47222	TC	3287.10	48405	TC	634.85
37740	TC	70.55	38345	TE	32.85	41940	TC	1485.35	47427	DS	202.85	48407	TC	769.30
37745	TC	105.70	38350	TE	32.85	41977	DC	1633.05	47432	DS	268.70	48412	TC	1313.85
37755	TC	123.55	38355	TE	49.95	41982	DS	431.60	47542	DS	14.15	48417	TC	634.85
37777	TC	105.80	38360	TE	49.95	41992	DS	471.35	47592	DS	77.45	48462	DC	4485.70
37780	TC	124.65	38365	TE	51.45	42002	DC	1987.40	47597	DS	99.05	48472	DS	272.85
37785	TC	124.65	38370	TE	89.45	42007	DC	2076.10	47602	DS	129.15	48477	DS	333.70
37787	DS	158.70	38375	TE	89.45	42012	DC	1946.30	47607	DS	150.70	48482	DS	54.60
37790	TC	124.65	38380	TE	98.65	42047	TC	346.45	47612	DS	222.25	48537	HC	26.50
37795	TC	127.05	38385	TE	29.15	42052	TC	346.45	47617	DS	286.60	48542	HC	26.50
37800	TC	127.05	38390	TE	29.15	42057	TC	346.45	47735	TE	114.25	48547	HC	26.50
37805	TC	127.05	38395	TE	32.85	42062	TC	346.45	47740	TE	114.25	48552	HC	26.50
37810	TE	46.75	38400	TE	32.85	42067	TC	346.45	47745	TE	114.25	48557	HC	29.10
37815	TE	46.75	38405	TE	49.95	42072	TC	346.45	47750	TE	114.25	48562	HC	29.10
37820	TE	46.75	38410	TE	49.95	42077	TC	346.45	47755	TE	171.30	48567	HC	35.80
37825	TE	46.75	38415	TE	51.45	42082	TC	346.45	47760	TE	171.30	48572	HC	35.80
37830	TE	46.75	38420	TE	89.45	42087	TC	346.45	47765	TE	171.30	48577	HC	35.80
37835	TE	55.45	38425	TE	89.45	42245	HC	20.10	47770	TE	171.30	48582	HC	39.20
37840	TE	55.45	38540	TC	66.85	42250	HC	20.10	47775	TE	171.30	48587	HC	39.20
37842	DS	113.10	38550	TC	81.35	42255	HC	20.10	47780	TE	171.30	48592	HC	26.50
37845	TE	61.65	38605	TC	78.65	42260	HC	21.75	47785	TE	171.30	48597	HC	131.20
37847	DS	156.20	38610	TC	133.80	42265	HC	21.75	47790	TE	171.30	48605	TE	194.50
37850	TE	61.65	38615	TC	130.05	42270	HC	21.75	47810	TE	223.65	48610	TE	194.50
37852	DS	195.50	38620	TC	131.05	42275	HC	21.75	47815	TE	223.65	48615	TE	194.50
37855	TE	51.80	38625	TC	132.75	42280	HC	32.05	47820	TE	223.65	48620	TE	194.50
37857	DS	151.40	39187		21.70	42285	HC	32.05	47845	TE	198.90	48625	TE	194.50
37860	TE	51.80	39380	TC	170.45	42290	HC	32.05	47850	TE	198.90	48630	TE	194.50
37862	DS	210.95	39587	TE	223.65	42360	TC	348.50	47855	TE	198.90	48635	TE	194.50
37865	TE	51.80	40005	TC	262.45	42365	TC	192.60	47860	TE	198.90	48640	TE	194.50
37867	DS	140.40	40080	HC	171.05	42370	TC	203.95	47880	TE	98.95	48645	TE	194.50
37870	TE	51.80	40085	HC	203.15	42385	TC	81.95	47885	TE	198.90	48650	TE	194.50
37875	TE	51.80	40090	HC	251.25	42390	TC	323.20	47890	TE	198.90	48655	TE	194.50
37880	TE	61.50	40100	HC	292.35	42405	TC	126.65	47895	TE	198.90	48660	TE	194.50
37885	TE	61.50	40110	HC	682.35	42415	TC	145.85	47900	TE	198.90	48665	TE	194.50
37890	TE	76.25	40125	HC	272.65	42485	TC	170.15	47905	TE	198.90	48670	TE	194.50

Cat. No.	Code	Resale Price	Cat. No.	Code	Resale Price	Cat. No.	Code	Resale Price	Cat. No.	Code	Resale Price	Cat. No.	Code	Resale Price
48675	TE	194.50	50070	TE	198.90	51045	TC	47.40	52850	HS	16.50	54520	HS	271.60
48680	TE	194.50	50075	TE	198.90	51050	TC	47.40	52855	HS	16.50	54540	HS	271.60
48690	TE	198.90	50080	TE	198.90	51055	TC	47.40	52860	HS	16.50	54575	HS	271.60
48695	TE	198.90	50085	TE	198.90	51060	TC	47.40	52865	HS	16.50	54832	DS	6.25
48700	TE	198.90	50090	TE	198.90	51065	TC	47.40	52870	HS	20.35	54837	DS	12.45
48705	TE	198.90	50095	TE	198.90	51070	TC	47.40	52875	HS	20.35	54842	DS	32.25
48710	TE	198.90	50100	TE	198.90	51075	TC	47.40	52880	HS	20.35	54847	DS	14.30
48715	TE	198.90	50105	TE	198.90	51206	HC	57.65	52885	HS	20.35	54852	DS	36.05
48720	TE	198.90	50107	TP	1333.40	51317	DS	44.65	52890	HS	20.35	54992	DS	76.95
48725	TE	198.90	50110	TE	198.90	51342	DC	1354.85	52895	HS	21.85	55002	DS	299.60
48730	TE	198.90	50115	TE	198.90	51402	DC	1633.05	52900	HS	21.85	55007	DS	224.50
48735	TE	198.90	50120	TE	198.90	51507	HC	388.85	52905	HS	22.25	55012	DS	254.60
48745	TE	198.90	50125	TE	198.90	51512	HC	439.10	52910	HS	21.85	55017	DS	119.10
48755	TE	198.90	50130	TE	198.90	51517	HC	517.40	52915	HS	21.85	55242	DP	75.65
48920	TE	246.45	50140	TE	198.90	51522	HC	591.30	52920	HS	22.80	55247	DP	60.30
48930	TE	246.45	50257	HC	122.25	51527	HC	656.80	52925	HS	22.80	55447	TC	985.05
48935	TE	246.45	50480	TE	198.90	51537	HC	859.40	52930	HS	22.80	55452	TC	1781.90
48940	TE	246.45	50482	HC	39.70	51542	HC	957.65	52935	HS	22.80	55457	DS	18.65
48945	TE	246.45	50485	TE	198.90	51547	HC	1501.90	52940	HS	22.80	55467	DS	242.00
48950	TE	246.45	50487	HC	39.70	51557	HC	2394.15	52945	HS	26.35	55657	HS	76.90
48955	TE	246.45	50490	TE	198.90	51572	DS	103.20	52950	HS	31.00	56662	HS	77.50
48965	TE	246.45	50492	HC	35.80	51587	DS	315.45	52955	HS	32.55	56667	HS	100.85
48970	TE	246.45	50495	TE	198.90	51597	DS	444.85	52957	DS	70.20	56672	HS	100.85
48975	TE	246.45	50500	TE	198.90	51752	DP	14.10	52960	HS	34.20	56682	HS	139.90
48985	TE	246.45	50505	TE	198.90	51762	DS	26.05	52962	DS	461.45	56782	DS	49.00
49002	DS	41.00	50510	TE	198.90	51857	TC	123.60	52965	HS	37.15	56787	DS	61.90
49032	DS	90.30	50515	TE	198.90	51862	TC	123.60	52970	HS	48.70	56792	DS	64.30
49215	TE	382.35	50520	TE	198.90	51867	TC	149.50	52972	DC	1260.75	56797	DS	76.75
49220	TE	382.35	50522	HS	22.50	51872	TC	149.50	52975	HS	57.35	56847	HS	142.40
49225	TE	382.35	50525	TE	198.90	51877	TC	175.45	52980	HS	66.90	56852	HS	160.20
49230	TE	382.35	50530	TE	198.90	51882	TC	175.45	52985	HS	74.50	56892	HS	18.60
49240	TE	382.35	50532	HS	13.15	51912	HC	261.60	52990	HS	82.50	56897	HS	22.25
49245	TE	382.35	50540	TE	198.90	51917	HC	285.75	52995	HS	98.40	57492	TE	325.80
49250	TE	382.35	50545	TE	198.90	52192	TE	194.50	53000	HS	116.30	57497	TE	325.80
49272	DS	209.25	50550	TE	198.90	52202	TE	194.50	53005	HS	16.00	57502	TE	164.55
49277	DS	266.95	50557	HC	434.30	52217	TE	194.50	53010	HS	18.20	57507	TE	164.55
49345	TE	372.75	50560	TE	382.35	52300	HC	34.80	53015	HS	19.15	57577	HS	75.95
49487	DS	387.55	50575	TE	382.35	52305	HC	36.05	53020	HS	20.80	57582	HS	75.95
49585	TE	521.85	50585	TE	382.35	52310	HC	38.60	53025	HS	20.95	57597	TC	2193.60
49600	TE	421.95	50590	TE	382.35	52315	HC	37.35	53030	HS	22.40	58007	TC	72.05
49610	TE	521.85	50645	TE	153.75	52320	HC	39.85	53035	HS	24.85	58192	DS	232.60
49662	TP	144.70	50647	DS	27.25	52345	HC	14.50	53037	DS	123.75	58222	TC	232.85
49707	TE	72.90	50650	TE	153.75	52420	HC	34.25	53040	HS	24.20	58227	TC	3245.00
49712	TE	72.90	50652	DS	43.35	52425	HC	7.35	53045	HS	26.50	58657	TP	208.80
49717	TE	86.75	50657	DS	56.90	52430	HC	9.05	53050	HS	28.95	58712	TP	184.35
49722	TE	86.75	50700	TE	198.90	52435	HC	10.50	53055	HS	32.35	58747	HC	51.15
49727	TE	108.40	50705	TE	198.90	52440	HC	13.15	53060	HS	34.90	58890	DC	126.50
49795	TE	198.90	50710	TE	198.90	52450	HC	23.35	53065	HS	10.90	58895	DC	139.75
49805	TE	198.90	50715	TE	198.90	52455	HC	25.10	53070	HS	15.50	58920	DC	825.00
49815	TE	198.90	50720	TE	198.90	52465	HC	30.20	53075	HS	25.95	58960	DC	1105.30
49820	TE	198.90	50725	TE	198.90	52470	HC	30.20	53080	HS	32.55	58980	DC	1278.60
49825	TE	198.90	50730	TE	198.90	52475	HC	36.00	53085	HS	8.50	59000	DC	1523.95
49830	TE	198.90	50735	TE	198.90	52480	HC	40.90	53107	DC	1125.45	59175	DC	3251.35
49835	TE	198.90	50740	TE	198.90	52485	HC	36.00	53112	DC	1243.40	59190	DC	201.25
49840	TE	198.90	50745	TE	198.90	52490	HC	40.90	53117	DC	1290.85	59205	DS	19.15
49845	TE	445.85	50750	TE	198.90	52495	HC	44.35	53122	DC	1344.15	59210	DS	54.65
49850	TE	445.85	50755	TE	198.90	52505	HC	37.55	53127	DC	1383.40	59225	DS	2.95
49870	TE	445.85	50760	TE	198.90	52755	HS	15.80	53955	HS	22.05	59230	DS	3.00
49875	TE	445.85	50765	TE	198.90	52760	HS	11.55	53960	HS	22.05	59235	DS	86.80
49885	TE	445.85	50767	TC	3125.00	52765	HS	11.55	53965	HS	22.05	59240	DS	492.70
49890	TE	445.85	50770	TE	198.90	52770	HS	11.55	53970	HS	22.05	59250	DS	193.80
49895	TE	445.85	50775	TE	198.90	52775	HS	11.55	54085	HC	15.75	59255	DS	259.95
49905	TE	445.85	50780	TE	198.90	52780	HS	11.55	54090	HC	18.35	59265	DS	272.70
49915	TE	445.85	50785	TE	198.90	52785	HS	11.55	54095	HC	23.00	59270	DS	266.90
49925	TE	445.85	50812	TC	232.85	52790	HS	12.60	54100	HC	16.35	59295	DS	19.15
49930	TE	445.85	50895	TE	198.90	52795	HS	12.60	54105	HC	19.95	59300	DS	369.10
49932	TC	107.40	50900	TE	198.90	52800	HS	12.60	54110	HC	25.05	59320	DP	48.30
49937	TC	107.40	50905	TE	198.90	52805	HS	12.60	54115	HC	23.45	59325	DP	56.20
49942	TC	112.20	50910	TE	198.90	52810	HS	12.60	54120	HC	23.45	59330	DP	53.05
49945	TE	445.85	50915	TE	198.90	52812	DS	19.85	54125	HC	23.45	59360	DS	38.65
49947	TC	112.20	50920	TE	198.90	52815	HS	12.60	54130	HC	23.30	59365	DS	303.95
49952	TC	149.35	50960	TE	194.50	52817	DS	21.05	54135	HC	436.35	59370	DS	362.25
49962	TC	204.60	50965	TE	194.50	52820	HS	13.30	54397	TC	346.55	59395	DS	242.20
49967	TC	204.60	50985	TE	194.50	52822	DS	22.25	54440	HS	271.60	59400	DS	300.25
50002	DS	27.25	51005	TC	388.25	52825	HS	13.30	54445	HS	271.60	59415	DS	207.75
50007	DS	30.20	51020	TC	26.40	52830	HS	13.30	54450	HS	271.60	59425	DS	136.65
50012	TE	198.90	51022	HS	24.35	52835	HS	13.30	54465	HS	271.60	59440	DS	68.10
50040	TE	198.90	51035	TC	14.35	52840	HS	13.30	54480	HS	271.60	59445	DS	28.35
50060	TE	198.90	51040	TC	47.40	52845	HS	13.30	54500	HS	271.60	59450	DP	51.45

Cat. No.	Code	Resale Price	Cat. No.	Code	Resale Price	Cat. No.	Code	Resale Price	Cat. No.	Code	Resale Price	Cat. No.	Code	Resale Price
59470	DS	56.85	62170	DP	210.60	63050	DS	25.75	64857	DS	1575.15	66315	TE	56.55
59475	DS	297.75	62225	DS	47.00	63055	DS	27.30	64862	DS	493.75	66320	TE	56.55
59480	DS	37.55	62235	DS	58.80	63060	DS	111.65	64882	DC	5396.80	66325	TE	56.55
59485	DS	43.45	62245	DS	58.20	63065	DS	15.50	64892	DC	5960.75	66330	TE	56.55
59502	HS	39.20	62250	DS	71.70	63070	DS	84.95	64902	DS	1927.80	66335	TE	67.30
59555	DP	17.85	62260	DS	80.45	63075	DS	37.55	64962	HC	25.90	66340	TE	67.30
59560	DP	19.40	62265	DS	37.45	63080	DS	78.80	64967	HC	31.35	66345	TE	83.75
59562	DC	2894.95	62270	DS	27.75	63085	DS	39.35	64977	TC	7785.25	66350	TE	83.75
59587	DC	2589.70	62275	DS	56.75	63090	DS	52.10	65175	TC	259.90	66405	TE	59.60
59625	DS	34.70	62280	DS	93.00	63105	DS	26.70	65255	TC	707.15	66410	TE	59.60
59765	DS	42.15	62285	DS	115.95	63107	DC	2025.60	65285	TC	1030.10	66415	TE	59.60
59770	DS	45.90	62295	DS	93.00	63110	DS	173.65	65320	TC	330.90	66420	TE	59.60
59775	DS	54.60	62300	DS	76.00	63112	DC	2757.00	65340	TC	761.30	66425	TE	59.60
59780	DS	64.50	62347	HS	13.00	63115	DS	178.60	65345	TC	1000.80	66430	TE	70.95
59787	DC	30.75	62352	HS	16.95	63120	DS	183.85	65380	TC	2330.65	66435	TE	70.95
59792	DC	38.20	62362	HS	44.35	63145	DS	80.65	65620	TC	107.15	66445	TE	88.55
59797	DC	50.70	62370	DS	189.75	63150	DS	86.15	65625	TC	107.15	66447	DC	2198.65
59802	DC	57.05	62375	DS	285.25	63155	DS	93.10	65630	TC	107.15	66450	TE	88.65
59812	DC	79.25	62380	DS	310.10	63160	DS	99.25	65635	TC	123.50	66492	DC	1469.15
59835	DP	27.50	62385	DS	230.65	63165	DS	104.85	65640	TC	138.10	66497	DC	1868.15
59917	DP	29.15	62390	DS	277.80	63170	DS	110.45	65680	TC	107.15	66512	DC	1469.15
59987	DS	26.90	62412	DP	77.75	63175	DS	116.90	65685	TC	107.15	66517	DC	1868.15
59992	TC	584.00	62457	TC	387.80	63180	DS	129.05	65687	DP	91.95	66625	TE	350.55
60002	TC	174.35	62530	DC	50.40	63185	DS	135.20	65690	TC	107.15	66687	TC	379.20
60007	TP	139.65	62535	DC	64.60	63190	DS	27.30	65695	TC	123.50	66732	DS	48.25
60032	DS	391.90	62540	DC	84.55	63195	DS	27.30	65700	TC	138.10	66737	HC	26.95
60037	DP	6.05	62545	DC	108.00	63200	DS	32.45	65705	TC	83.10	66742	HC	28.55
60042	DS	637.20	62555	DC	84.55	63205	DS	27.30	65710	TC	83.10	66807	HS	23.10
60047	DP	534.35	62565	DC	141.00	63210	DS	28.55	65715	TC	83.10	66947	TC	5219.05
60052	DC	3173.10	62587	DC	1877.90	63220	DS	72.55	65720	TC	83.10	66987	HS	259.05
60062	DC	3071.20	62592	DS	1069.30	63240	DS	122.80	65725	TC	83.10	66992	HS	347.15
60067	DC	2813.45	62595	DC	141.00	63280	DS	90.50	65730	TC	83.10	66997	HS	453.75
60087	DS	391.90	62597	DC	2595.30	63297	HE	6.30	65765	TC	90.45	67132	DS	43.10
60355	DS	28.50	62605	DC	254.05	63822	DC	1426.90	65770	C	90.45	67137	DS	50.85
60360	DS	43.35	62615	DC	187.85	63827	DC	1349.95	65775	TC	90.45	67142	DS	57.65
60365	DS	74.20	62625	DC	340.45	63877	DC	2458.85	65780	TC	90.45	67182	TC	5467.00
60382	TC	1073.00	62662	DC	267.45	63882	DC	3500.30	65785	TC	90.45	67187	DC	208.60
60700	DP	83.60	62687	DC	2289.35	64077	DS	297.55	65790	TC	90.45	67247	DC	7280.15
61102	DC	2883.80	62697	DC	3181.05	64217	DC	1506.45	65902	TC	8657.75	67307	DC	82.10
61107	DS	637.20	62747	DC	1012.90	64232	DC	8036.90	65942	HC	49.05	67312	DC	93.85
61112	DC	3071.20	62772	DC	142.95	64247	DC	8907.75	65950	TC	90.50	67327	DC	2366.20
61122	TC	461.85	62802	DC	784.40	64497	DC	93.85	65955	TC	90.50	67332	DC	3073.25
61142	TC	3265.00	62812	DC	42.15	64502	DC	93.85	65960	TC	90.50	67657	TC	562.80
61187	TC	247.00	62815	DS	56.05	64607	DC	2688.65	65965	TC	97.10	67662	TP	385.00
61615	DS	186.10	62840	DS	26.70	64612	DC	3551.85	65970	TC	97.10	67807	TE	169.75
61625	DS	150.15	62845	DS	30.35	64627	DC	105.55	65975	TC	123.60	67812	TE	169.75
61630	DS	307.55	62850	DS	22.00	64642	HS	196.25	65980	TC	123.60	67817	TC	333.15
61757	TC	275.20	62855	DS	22.00	64697	DS	661.55	65985	TC	136.25	67822	TC	216.40
61770	DS	110.45	62860	DS	51.50	64702	DS	136.20	65990	TC	136.25	67872	TC	2120.30
61790	DS	28.55	62862	HC	991.00	64707	DS	45.30	66040	TC	103.10	67962	DS	110.75
61800	DS	28.55	62865	DS	37.55	64712	DS	45.30	66045	TC	103.10	68057	DC	327.70
61825	DS	117.20	62870	DS	27.30	64717	DS	63.95	66050	TC	129.70	68062	DC	369.10
61850	DS	106.70	62875	DS	29.20	64722	DS	34.85	66055	TC	129.70	68067	DC	480.85
61855	DS	115.60	62877	DS	1360.50	64727	DS	34.85	66060	TC	152.70	68072	DC	553.55
61875	DP	50.70	62880	DS	20.45	64732	DS	370.80	66065	TC	152.70	68097	DC	341.40
61885	DP	77.90	62882	DS	434.70	64737	DS	866.95	66110	TE	51.15	68102	DC	386.10
61895	DP	277.55	62887	DS	277.90	64742	DS	34.50	66115	TE	51.15	68112	DC	564.80
61960	DS	96.65	62892	DS	55.50	64747	DS	36.90	66120	TE	51.15	68137	DC	346.75
61970	DS	52.10	62897	DS	71.25	64752	DS	63.95	66125	TE	51.15	68142	DC	419.30
61975	DS	59.55	62915	DS	22.00	64757	DS	38.00	66130	TE	51.15	68160	TC	387.80
62045	DS	61.35	62920	DS	24.85	64762	DS	40.80	66135	TE	60.25	68165	TC	123.95
62050	DS	78.20	62925	DS	36.05	64767	DS	155.80	66140	TE	60.25	68170	TC	123.95
62055	DS	78.20	62930	DS	32.85	64772	DS	37.00	66145	TE	67.30	68172	DC	413.75
62060	DS	78.20	62935	DS	37.55	64777	DS	37.00	66150	TE	67.30	68175	TC	123.95
62065	DS	79.70	62940	DS	167.50	64782	DS	62.45	66155	TE	98.60	68180	TC	123.95
62067	DS	14.85	62970	DS	22.70	64787	DS	41.20	66160	TE	98.60	68185	TC	123.95
62070	DS	80.65	62980	DS	26.05	64792	DS	41.20	66165	TE	98.60	68195	TC	123.95
62075	DS	93.10	62990	DS	14.85	64797	DS	155.80	66170	TE	98.60	68200	TC	123.95
62080	DS	97.95	62995	DS	14.30	64802	DS	41.30	66175	TE	98.60	68650	HC	549.00
62085	DS	122.80	63000	DS	14.30	64807	DS	41.30	66190	TE	71.90	68815	TC	350.70
62090	DS	141.40	63005	DS	14.30	64812	DS	65.30	66195	TE	71.90	68857	HC	51.20
62095	DS	143.95	63010	DS	14.85	64817	DS	45.30	66200	TE	71.90	68862	HC	53.85
62100	DS	145.15	63015	DS	17.10	64822	DS	45.30	66205	TE	71.90	68917	DP	19.90
62105	DS	166.20	63020	DS	18.65	64827	DS	212.40	66210	TE	71.90	68962	HC	2970.00
62110	DS	114.15	63025	DS	20.45	64832	DS	252.70	66215	TE	88.50	68967	HC	3275.95
62115	DS	126.50	63030	DS	15.50	64837	DS	540.95	66220	TE	102.00	69622	HS	680.50
62120	DS	173.65	63035	DS	15.50	64842	DS	815.05	66225	TE	102.00	69632	HS	1240.95
62125	DS	219.55	63040	DS	16.85	64847	DS	1087.10	66230	TE	102.00	69642	HS	1892.85
62140	DS	62.05	63045	DS	23.55	64852	DS	1335.45	66310	TE	56.55	69667	TC	434.90

Cat. No.	Code	Resale Price	Cat. No.	Code	Resale Price	Cat. No.	Code	Resale Price	Cat. No.	Code	Resale Price	Cat. No.	Code	Resale Price
69692	TC	434.90	74700	HC	1066.70	80480	HS	10.30	84427	TC	266.30	92505	DS	23.00
69697	DC	2696.85	74710	HC	1324.15	80485	HS	10.30	84517	DP	350.75	92510	DS	19.85
69707	HC	10.85	74720	HE	11.80	80500	HS	10.30	84532	TC	514.20	92515	DS	20.45
69712	HC	64.00	74730	HE	14.40	80505	HS	12.90	84537	TC	514.20	92520	DS	22.00
69717	HC	68.05	74735	HE	16.80	80510	HS	12.90	85830	TE	83.00	92525	DS	25.45
69722	DC	9247.75	74946	HS	19.05	80515	HS	12.90	85835	TE	99.50	92530	DS	30.35
69732	DC	10118.70	75000	TC	118.55	80520	HS	10.80	85850	TE	372.75	92535	DS	44.30
69752	DC	8491.10	75005	TC	124.05	80545	HS	10.70	85855	TE	372.75	92540	DS	45.55
69762	HC	622.60	75010	TC	124.05	80550	HS	11.90	85870	TE	382.35	92545	DS	48.40
69847	HS	48.20	75015	TC	130.30	80555	HS	21.10	85937	DS	218.20	92550	DS	50.85
69852	HS	49.55	75020	TC	137.35	81280	HC	14.80	85942	DS	190.30	92555	DS	37.25
69857	HS	50.95	75075	TC	2602.65	81490	HS	121.80	85952	DS	204.70	92560	DS	44.65
69862	HS	52.45	75435	TC	2521.10	81495	HS	125.00	85957	DS	780.60	92607	DS	39.60
69867	HS	53.70	75557	HE	26.95	81500	HS	188.50	85962	DS	937.05	92660	HC	2043.65
69872	HS	55.05	75562	HE	23.10	81505	HS	21.05	85967	DS	271.10	92665	HC	239.45
69877	HS	52.20	75567	HE	19.75	81855	HS	26.80	85987	DS	133.10	92670	HC	321.10
69882	HS	53.70	75572	HE	19.35	81860	HS	26.80	85992	DS	198.05	92675	HC	412.55
69887	HS	53.70	75602	TC	5465.40	81865	HS	26.80	86127	HC	26.90	92680	HC	504.25
69907	HS	83.75	75982	TC	1431.35	81870	HS	24.45	86902	HS	15.75	92682	DS	37.65
69912	HS	106.20	75992	TC	2545.40	82832	DS	146.05	86907	HS	16.25	92685	HC	826.60
69982	HC	527.50	76017	TC	127.00	82837	DS	146.05	86912	HS	19.50	92687	DS	36.90
70032	DP	13.05	76022	TC	91.30	82842	DS	144.90	86917	HS	27.65	92690	TC	97.10
70640	TE	317.60	76027	TC	48.15	82847	DS	146.05	86922	HS	42.25	92695	TC	97.10
70645	TE	360.60	76032	TC	76.80	82852	DS	191.95	86927	HS	65.50	92700	TC	123.60
70652	HC	65.95	76037	TC	55.65	82857	DS	193.35	86932	HS	121.40	92705	TC	123.60
70655	TE	471.45	76047	TC	142.35	83037	HC	135.75	87107	HC	37.60	92707	DC	3165.40
70662	HC	619.45	76052	TC	138.60	83080	HC	806.75	87577	DS	113.10	92710	TC	136.25
70685	TE	59.60	76057	TC	138.60	83085	HC	849.00	87582	DS	156.20	92712	DC	1052.25
70690	TE	59.60	76067	TC	138.60	83140	HE	32.20	87587	DS	197.50	92715	TC	136.25
70695	TE	59.60	76072	TC	144.20	83145	HC	1066.70	87592	DS	151.40	92805	DP	8.40
70700	TE	69.50	76077	TC	166.60	83150	HC	1108.30	87597	DS	210.95	92810	DP	21.45
70705	TE	70.95	76082	TC	193.05	83165	HC	1324.15	87602	DS	314.75	92815	DS	8.05
70710	TE	88.55	76087	TC	148.70	83170	HC	1366.95	88232	TC	1019.95	92820	DS	8.65
70715	TE	88.55	76092	TC	148.70	83235	HE	21.65	88260	HE	18.60	92825	DS	9.25
70740	TE	198.90	76097	TC	144.20	83240	HC	138.20	88387	DC	45.25	92830	DS	11.45
70745	TE	198.90	76102	TC	166.60	83290	HC	162.70	88392	DC	77.85	92835	DS	9.70
70750	TE	198.90	76107	TC	193.05	83292	DC	671.30	88680	HC	41.00	92840	DS	11.45
70830	TS	19.30	76132	TC	144.20	83295	HC	163.90	89400	DS	84.55	92850	DS	7.50
70835	TS	21.00	76137	TC	144.20	83302	TC	710.35	89405	DS	93.00	92855	DS	16.10
71687	TC	821.35	76142	TC	144.20	83307	TC	124.20	89410	DS	74.35	92860	DS	12.45
71692	TS	238.50	76147	TC	166.60	83317	TC	90.85	89435	HC	50.10	92865	DS	11.20
71697	TS	226.05	76152	TC	193.05	83322	TC	90.85	89440	HC	74.00	92870	DS	12.45
71702	DC	539.50	76267	TC	115.90	83327	TC	118.40	89445	HC	117.10	92875	DS	14.05
71722	DC	693.40	76272	TC	124.60	83332	TC	113.05	90107	HC	40.10	92880	DP	8.90
71762	DS	207.95	76277	TC	167.55	83337	TC	90.85	90117	HC	56.75	92885	DP	22.50
72037	HS	468.75	76282	TC	166.35	83342	TC	90.85	90122	HC	70.95	92895	DS	31.60
72327	TP	164.00	76287	TC	180.15	83347	TC	90.85	90127	HC	112.25	92900	DS	16.85
72332	TP	134.50	76292	TC	96.75	83350	HS	301.95	90702	DS	167.65	92905	DS	13.30
72342	TC	170.15	76297	TC	124.65	83380	HS	439.50	90707	DS	447.95	92910	DS	17.35
72862	TC	825.35	76302	TC	199.80	83407	DP	134.35	90837	TC	317.25	92915	DS	7.75
72887	HS	7.60	76305	TE	83.00	83417	DP	126.55	90842	TC	304.15	93262	DC	3439.00
72897	HS	19.35	76307	TC	219.65	83450	TC	96.35	91027	DC	3623.70	93267	DC	2387.85
72902	HS	11.75	76312	TC	240.80	83455	TC	96.35	91032	DC	3623.70	93287	TC	6214.25
72907	HS	8.45	76315	TE	102.00	83460	TC	103.10	91037	DS	37.85	93387	DC	16.05
72912	HS	10.00	76317	TC	118.40	83465	TC	103.10	91042	DS	37.85	93392	DC	16.05
72917	HS	5.95	76322	TC	124.65	83470	TC	129.70	91047	DS	45.55	93492	HC	1516.40
72922	HS	13.80	76327	TC	149.90	83475	TC	129.70	91142	TC	5960.70	93497	TC	165.25
72927	HS	11.75	76332	TC	165.25	83480	TC	152.70	91192	TC	2581.75	93502	DC	4520.70
72932	HS	5.95	76337	TC	174.15	83485	TC	152.70	91207	TC	889.95	93507	DC	4191.60
72937	HS	5.75	76475	DC	1105.30	83557	DC	1668.05	91322	TC	7058.35	93557	DC	2888.05
72947	HS	17.40	76485	DC	1278.60	83567	TC	1276.05	92095	DS	226.65	93572	DC	3769.15
72952	HS	24.40	76495	DC	1523.95	83572	TC	90.85	92100	DS	232.65	93667	PC	2473.95
72957	HS	241.65	76575	DS	224.40	83652	DC	9757.15	92170	HP	35.90	93677	PC	608.50
72962	HS	12.35	76597	DP	64.60	83727	HP	20.35	92437	TC	248.70	93682	PC	634.35
72967	HS	36.80	76652	PC	190.35	83862	HP	22.65	92442	TC	317.25	93687	PC	711.95
73142	DC	425.45	76657	PC	190.35	83892	HP	43.50	92447	TC	305.10	93692	PC	550.15
73162	HC	613.00	76662	PC	190.35	83997	TC	151.35	92452	TC	278.45	93707	HC	89.60
73172	DC	3809.95	76667	PC	190.35	84002	TC	151.35	92457	TC	402.75	93712	HC	32.75
73182	DC	10913.85	76672	PC	244.10	84007	TC	166.35	92460	DS	103.60	93717	HC	19.35
73187	DC	11757.45	76677	PC	267.25	84012	TC	204.45	92462	TC	725.20	93722	HC	19.60
73360	HC	21.25	76767	TS	1210.25	84097	TC	6707.40	92465	DS	173.80	93727	HC	20.55
73365	HC	17.50	76777	TC	1462.00	84117	DP	187.05	92467	TC	1059.50	93732	HC	23.80
73370	HC	17.50	76787	TC	1479.25	84282	TS	5.45	92470	DS	248.30	93737	HC	27.05
73447	TC	5219.05	76817	DS	117.00	84287	TS	8.55	92475	DS	132.55	93742	HC	33.05
74012	TS	28.35	76822	TC	23.75	84292	TS	13.60	92480	DS	228.20	93747	HC	16.35
74047	TS	128.75	76827	TC	23.75	84295	DC	4137.40	92485	DS	22.00	93785	HS	18.20
74207	HC	461.00	78347	DC	720.10	84325	DS	128.10	92490	DS	23.55	93790	HS	18.20
74227	HC	613.00	79120	TE	372.75	84332	TS	8.15	92495	DS	18.65	94220	TE	745.00
74685	HC	806.75	80475	HC	17.95	84337	TS	12.55	92500	DS	27.90	95507	DC	26.70

Cat. No.	Code	Resale Price	Cat. No.	Code	Resale Price	Cat. No.	Code	Resale Price	Cat. No.	Code	Resale Price	Cat. No.	Code	Resale Price
95527	DC	3759.35	97970	DS	17.95									
95532	DC	2040.05	97975	DS	26.70									
95537	DC	5766.95	97980	DS	60.40									
95542	DC	6090.40	97985	DS	33.50									
95567	DC	2933.40	97990	DS	35.30									
95572	DC	4985.40	97995	DS	37.25									
95577	DC	5310.00	98000	DC	28.25									
95732	DC	2831.00	98005	DS	14.85									
95737	DC	2553.15	98010	DS	16.85									
95747	DS	314.75	98015	DS	18.65									
95752	DS	248.30	98030	DS	65.80									
95757	DS	228.20	98035	DS	36.05									
95762	DS	143.50	98040	DS	37.55									
95772	HC	73.95	98045	DS	40.65									
95782	TC	10495.00	98050	DS	49.30									
95792	DS	112.80	98055	DS	35.30									
95797	DS	87.65	98060	DS	36.55									
95802	DS	595.40	98070	DS	29.20									
95807	DS	419.80	98072	DS	118.05									
95812	DS	391.90	98075	DS	32.85									
95822	DS	109.75	98090	HC	4393.65									
95847	DS	64.30	98095	HC	1544.95									
96037	DS	81.05	98100	HC	681.25									
96372	HS	2729.95	98105	HC	635.00									
96397	HE	10.75	98110	HC	715.80									
96497	TC	5552.50	98115	HC	369.70									
96502	TC	6160.70	98120	HC	150.10									
96507	TC	6339.35	98125	HC	2057.70									
96517	TC	435.55	98130	HC	60.90									
96720	TC	121.75	98140	HC	335.15									
96725	TC	196.85	98145	HC	103.90									
96877	HS	79.25	98150	HC	254.35									
96887	HS	126.25	98155	HC	269.70									
96897	HS	205.65	98165	HC	392.60									
96967	DC	2583.00	98170	HC	174.30									
96982	TC	1232.75	98175	HC	176.85									
96987	TC	1232.75	98180	HC	185.65									
96992	TC	1232.75	98185	HC	198.65									
96997	TC	1232.75	98190	HC	207.40									
97045	TC	346.45	98195	HC	214.55									
97050	TC	346.45	98200	HC	243.80									
97065	TC	384.20	98205	HC	280.20									
97070	TC	384.20	98210	HC	300.20									
97075	TC	492.25	98215	HC	333.10									
97080	TC	493.10	98220	HC	339.75									
97212	HC	47.05	98225	HC	352.40									
97345	TC	856.15	98230	HC	398.60									
97350	TC	843.65	98235	HC	456.70									
97365	TP	125.75	98240	HC	532.05									
97375	TC	149.25	98245	HC	626.65									
97452	HC	25.30	98250	HC	663.05									
97462	DC	47.40	98255	HC	710.50									
97787	HC	17.50	98260	HC	739.30									
97795	DS	10.80	98265	HC	869.85									
97800	DS	19.85	98270	HC	1087.05									
97805	DS	36.55	98275	HC	1669.25									
97825	DS	6.50	98280	HC	1377.25									
97832	DC	53.55	98285	HC	1672.60									
97835	DS	6.25	98290	HC	1848.50									
97840	DS	6.80	98295	HC	2138.40									
97850	DS	19.45	98690	HC	50.20									
97852	DC	105.05	98695	HC	74.00									
97855	DS	46.20	98700	HC	63.90									
97865	DS	16.85	98705	HC	71.50									
97882	TC	547.60	98710	HC	86.95									
97895	DS	7.75	98715	HC	52.60									
97900	DS	9.95	98720	HC	89.85									
97905	DS	5.65	99545	TE	745.00									
97910	DS	13.00												
97915	DS	16.10												
97920	DS	11.20												
97925	DS	14.85												
97930	DS	9.25												
97935	DS	9.95												
97940	DS	19.45												
97945	DS	23.00												
97955	DS	53.90												
97960	DS	61.10												
97965	DS	11.75												

Model No.	Page	Model No.	Page	Model No.	Page	Model No.	Page	Model No.	Page
00-R	13	170-FG	29	406M	30	764	21	AF2000	33
00-RB	12	171	29	408	30	765	3	AM2500	33
00R	11	171-FG	29	408M	30	766	28	AR-99	4
012	27	172	29	40A	4	767	28	B-1677	31
016	27	1721	30	4100	9	768	3, 16, 18	B-1678	31
024	27	173	29	410M	30	770	17	B-1679	31
032	27	174	29	412M	30	771	17	B-1709	31
1	2	176	29	418	17, 18	772	17	B-171-X	17
1-2	21	177	29	419	21	773	17	B-1711	31
1-A	5	191	29	42-A	5	774	3, 17	B-1712	31
10	8	2	2, 6	424Cl	5	775	17	BC210	4
100-B	35	2-A	5	424S	5	776	3	BC210P	4
100A	18, 19, 20	2-S	6	425	4	777	3	BC2A	4
101	8	20	8	44-S	5	778	3	BC410	4
1010	3	2002	3	454-W	32	780	28	BC410P	4
1017	3	2006	3	455	32	781	28	BC4A	4
1019	3	200A	18, 19, 20	456	30	782	28	BC510	4
102	8	202	5	458MM	32	783	28	BC610	4
1021	30	205	8	46	4	784	28	BC810	4
1024-A	27	206	5	460	4	785	28	BTH-9	4
103	8	21	4	461	4	786	28	C-32	42, 43
104	8	212	27	462	4	787	28	C12	2
106	8	22	4	463	4	788	28	C14	2
108	8	226	5	464	4	789	28	C18	2
109	8	227	9	466C	5	796	28	C24	2
109P	8	228	5	466HWS	5	797	28	C323	2
11-R	12, 13	23	4	466S	5	798	28	C348X	2
1121	30	241	18, 20	468C	5	799	28	C36	2
117	8	246	5	468HWS	5	80	6	C414	2
118	8	25	3, 4	468S	5	81	6	CJ-99	4
12-R	11, 13	250	19, 27	472C	5	810	1	D-1375	31
120	19	254	6	472HWS	5	811A	18, 19, 20	D-1376	31
1203	19	258	7	472S	5	812	1	D-1377	31
1205	27	258XL	7	4U	18, 20	814	1	D-1378	31
1205-2	27	27	4	5	2	815A	18, 19, 20	D-1379	31
1206	18	276	5	506	31	816	18, 19, 20	D-1380	31
1218-A	27	2P	2	508	31	817	18, 19, 20	D-1381	31
1218-BM	27	3	6	531	18, 19, 20	818	1	D-1382	31
1219	19, 23	3-S	5	532	18, 19, 20	819	18, 19, 20, 21, 23	D1003	33
122-XL	7	30	8	535A	18	82	6	D1328	2
1221	30	301A	18	541	20	820	18	D1329	2
1224-A	27	303	27	542	20	824	1	D1330	2
1224-BM	27	304	18	555	20	83	6	D1331	2
1232-A	27	310	30	560	4	836	1	D1332	2
1248	25	310M	30	562	31	839	18, 20, 23	D1333	2
1249	25	311	18	563	31	83E	6	D1334	2
1250	25	312	18, 30	564	31	84	6	D1335	2
127	9	312M	30	565	31	840A	16, 21	D1336	2
1321	30	314M	30	570	31	842	18, 20	D1337	2
1380	29	315M	30	575	9	844	16, 18	D342	2
1406	19	316M	30	5P	2	848	1	D344	2
141	16, 18, 20	318M	30	6-S	5	84E	6	D969	25
1421	30	32	18	601	17	85	6	D980	33
1450	34	3215	3	606	27	856	20	D981	33
1460	20	3229	3	610	19	85E	6	D984	33
1493	8	3231	3	614	7	86	6	D985	33
15	8	3233	3	640	4	86E	6	D986	33
15-SI	8	3235	3	690	17	87	6, 29	D987	33
150	8	3237	3	691	17	87E	6	D988	33
150A	18, 19, 20	341	18	6U	18, 20	880	6	D990	33
151	8	342	3	707	28	881	6	D992	33
151-P	8	345	32	709	28	882	6	D993	33
152	8	345-DL	32	710	28	883	6	D994	33
152-P	8	345M	32	711	20	89	6	D998	33
1521	30	346	16	713	20, 28	89E	6	D999	33
153	8	358	31	714	20	902	5	E-10279	9
153-P	8	360	18	72	9	904	5	E-1032	6
154	8	364	20	725	20	911	20, 24	E-1032S	6
154-P	8	368	31	73	9	912	24	E-1050	20
156	8	375	32	732	19	913	20	E-109	6
156P	8	377	32	734	28	914	20, 24	E-1240	9
1602	27	378	31	74	9	915	24	E-1525	9
161	16	39	4	744	21	918	24	E-1740	9
1619	27	4-S	5	756	3	918-l	24	E-1962	6
1619F	27	402	17	758	3, 16	92	4	E-2155	9
1620	27	403	30	760	3	920	24	E-2156	9
1621	30	404	30	761	28	921	30	E-2157	9
17	3	405	30	762	3	965	4	E-2191	9
170	29	406	30	763	28	AC-1586	6	E-2267	6

Model No.	Page	Model No.	Page	Model No.	Page	Model No.	Page	Model No.	Page
E-2558	9	E5259	2	M33	25	SR-60	38	C-2	40, 41, 47
E-258	7	E566	2	M35	26	ST-305	38	C-2-IC	40, 41, 43, 47
E-2632	6	E5704	2	M37	25	ST-510	38	C-21	40, 41, 47
E-2880	9	E5705	2	M38	25	ST33Q	38	C-22	40, 41, 47
E-2990	9	E5706	2	M40	25	VJ-98	4	C-23-IC	40, 41, 43
E-3186	6	E5715	7	M41	25	VJ-99	4	C-24HC	44, 45
E-3469	9	E5720	7	M43	25	WD0620	33	C-24IC	44, 45
E-3495	9	E5721	7	M44	25, 26	WD1245	33	C-24IW	44
E-4266	6	E5722	7	M46	25	WD1450	33	C-25IC	44, 45
E-4546	9	E5723	7	M48	25	WD1665	33	C-25IW	44
E-5112	7	E5724	7	M51	25	WD1850	33	C-26	44, 45
E-5113	7	E5725	7	M52	25	WD1950	33	C-26IW	44
E-5114	7	E5726	7	M54	25	WD4050	33	C-27IC	44, 45
E-5115	7	E5727	7	M57	25	WD4550	33	C-27IW	44
E-5116	7	E5728	7	M59	25	WD5500	33	C-28	44, 45
E-5117	7	E5761	29	M60	25	XF-45	26	C-29	44, 45
E-5118	7	E5762	29	M64	25	XF-50	26	C-31	43
E-5119	7	E5763	29	M65	25			C-32	42, 43
E-5120	7	E5766	29	M67	25			C-33	42, 43
E-5272	9	E5769	29	M70	25			C-4	40, 41, 47
E-5299	9	E5773	29	M73	25			C-44	43
E-5734	31	E5777	29	M76	25			C-45	43
E-702	9	E5781	29	M79	25	RIDGID/KOLLMANN		C-46	43
E-910	1	E5788	29	M83	25	A-1	47, 48, 49, 50	C-5	40, 41, 47
E-914	1	E579	2	M86	25	A-10	47, 48, 49	C-6	40, 41, 47
E-918	1	E585	2	M89	25	A-12	43, 48, 49, 50, 51	C-7	47, 48
E-924	1	E586	2	M92	25	A-13	42, 43, 46, 47, 48, 49	C-75	44, 45
E10	1	E587	2	M95	25	A-14-10	47	C-75HC	45
E110	3	E6	1	M98	25	A-14-6	47	C-8	47, 48
E12	1	E61	32	PC-1250	8	A-17-A	47, 51	C-9	47, 48
E1244	2	E6121	2	PC-1375	8	A-17-B	47	C1-IC	40, 41, 43, 47
E1245	2	E63	32	R-14D	25	A-17-C	47	E-2724	39
E1261	33	E64	32	R-16D	25	A-17-D	47	E-2725	39
E1262	33	E8	1	R-18D	25	A-17-E	47	E-2726	39
E1263	33	F-119	6	R-20D	25	A-18	47	E-2727	39
E1264	33	F-158	9	R-22D	25	A-2	47, 48, 49, 50, 51	E-2729	39
E14	1	F-229	6	R-24D	25	A-2474	50	E-2731	39
E18	1	F-229S	6	R-28D	25	A-2475	50	E-2737	39
E24	1	F-3	6	R-32D	25	A-2476	50	E-2739	39
E2671	2	F-366	6	R-36D	25	A-2704	51	E-2741	39
E2672	2	F-367	6	R-40D	25	A-3	44, 45, 46, 48, 49, 50, 51	E-2743	39
E2673	2	F-367-S	6	R-48D	25	A-30	47	FV-1	52
E2674	2	F-383	6	R-54D	25	A-30-TW	47	H-10	51
E2675	2	F-3S	6	R0	25	A-3179	47	H-1200	51, 52
E2676	2	F-45	26	R1	25	A-34-10	48, 49, 50	H-1211	51, 52
E2677	2	F-50	26	R10	32	A-34-12	49, 50	H-1215	51, 52
E2678	2	F-514	6	R11	32	A-35	48	H-1220	51, 52
E2679	2	F-515	6	R12	32	A-35TW	48	H-1250	51, 52
E2680	2	F-546	6	R13	32	A-36	48, 49	H-1275	51, 52
E2842	33	F-60	26	R14	32	A-368X	49	H-1400	51, 52
E2843	33	H-18	29	R15	32	A-375	46	H-1415	51, 52
E2844	33	HC-450	25	R16	32	A-376X	48, 49	H-1425	51, 52
E2845	33	HC300	25	R2	25, 36	A-380	43	H-1435	51, 52
E36	1	HKO-1810	28	R3	25	A-381	43	H-1450	51, 52
E37	32	HKO-186	28	R4	25	A-381-A	43	H-1475	51, 52
E3779	2	K-400	42	R6	32	A-39PF	41	H-1825	51
E3986	25	KOPD-254	28	R7	32	A-40	47	H-1850	51
E4200X	2	KOPD-52	28	R8	32	A-60-12	48	H-21	51, 52
E4201X	2	M10	26	R9	32	A-61	48, 49	H-22	51
E4202X	2	M102	25	RC-1625	8	A-62	48, 49	H-24	51
E4203X	2	M105	25	RF2001	33	A-6582	45, 46	H-30	51, 52
E4204X	2	M108	25	RF2002	33	A-6583	45, 46	H-30-WH	51, 52
E4205X	2	M110	25	RJ-98	4	A-6840	45, 46	H-31	51
E4206X	2	M114	25	RJ-99	4	A-75	45, 46	H-32	51, 52
E4207X	2	M121	25	RJ624	4	A-7534	46	H-38-WH	52
E4208X	2	M127	25	RP-330	35	A-7534D	46	H-3810	52
E45	32	M14	25	RP330B	35	A-7558	45	H-3815	52
E46	32	M140	25	RT-100	34	A-7558D	46	H-3820	52
E47	32	M152	25	RT-1000	25	A-7570	45, 46	H-3825	52
E4780	2	M17	25	RT-175	34	A-7571	45, 46	H-3830	52
E4781	2	M19	25	RT3422	26	A-75DR	46	H-3835	52
E4782	2	M21	25	RV2400A	33	A-75PF	46	H-3850	52
E4783	2	M22	25, 26	RV2600B	33	B-3542	51	H-41	51
E4784	2	M24	25	S-2	2	B-6841	45, 46	H-42	51
E4785	2	M25	25	S-4A	2	C-1	40, 41, 47	H-44	51
E4786	2	M27	25	S-6A	2	C-10	48, 49	H-45	51
E4787	2	M29	25, 26	S-8A	2	C-100	44, 45	H-5	51, 52
E4788	2	M30	25	SF-2500	34	C-100HC	45	H-52	51
E52	32	M32	25	SR-20	38	C-13IC	40, 41, 43	H-61	52
						C-13ICSB	41		

Model No.	Page	Model No.	Page	Model No.	Page	Model No.	Page
H-62	52	T-205	40, 41, 42, 43, 46, 47				
H-64	52	T-206	40, 41, 42, 43, 47				
H-71	52	T-207	42, 47				
H-72	52	T-208	40, 41, 42, 43, 47				
H-81	52	T-209	40, 41, 42, 43, 47				
H-82	52	T-210	40, 41, 42, 43, 47				
H-84	52	T-211	40, 41, 42, 43, 46, 47				
H-91	52	T-212	40, 41, 42, 43, 47				
H-92	52	T-213	40, 41, 42, 43, 47				
H51	51	T-214	40, 41, 42, 43, 47				
HF-4	52	T-215	40, 41, 42, 43, 47				
HL-1	51, 52	T-216	40, 41, 42, 43, 47				
HL-2	51, 52	T-217	40, 41, 42, 43, 47				
HP-22	52	T-218	40, 41, 47				
HP-EL	51	T-219	41, 47				
HW-22	52	T-220	41, 47				
HW-30	52	T-221	41, 47				
HW-EL	51	T-225	40, 41, 47				
K-10	51	T-230	41, 47				
K-1000	50	T-231	41, 47				
K-1500	49	T-232	41, 47				
K-1500A	49	T-240	41, 42, 43, 47				
K-1500B	49	T-250	41, 47				
K-1500G	49	T-260	42, 43				
K-25-BP	40	T-300	50				
K-25DH	40	T-301	50				
K-26	40	T-302	50				
K-3	39	T-303	50				
K-38	41	T-304	50				
K-3800	42	T-305	50				
K-39	40	T-306	50				
K-3DH	39	T-307	50				
K-40	41	T-308	50				
K-40B	41	T-309	50				
K-40GPF	41	T-31	50				
K-5	39	T-310	50				
K-50	47	T-311	50				
K-6	39	T-312	50				
K-60	48	T-313	50				
K-60-SE	48	T-314	50				
K-6200	44	T-315	50				
K-6DH	39	T-316	50				
K-750	44	T-317	50				
K-7500	45	T-318	50				
K-750R	46	T-319	50				
K-75A	48	T-32	50				
K-75A-SE	48	T-320	50				
K-75B	48	T-321	50				
K-75B-SE	48	T-326	50				
KJ-1350	51	T-33	50				
KJ-1750	51	T-403	44, 45, 46				
KJ-2200-C	52	T-404	44, 45				
KJ-3000	52	T-406	44, 45, 46				
KT-190	34	T-407	44, 45				
KT-200	34	T-408	44, 45				
R-0	51	T-409	44, 45				
R-1	51	T-411	44, 46				
R-2	51	T-412	44, 45				
R-7	51	T-413	44, 45, 46				
R-8	51	T-414	44, 45, 46				
S-1	40	T-416	44, 45				
S-2	40, 43	T-432	44, 45				
S-3	40, 43	T-433	44, 45				
T-10	50	T-434	44, 45				
T-11	50	T-436	44, 45				
T-12	50	T-458	44, 45				
T-121	43	T-468	45				
T-122	43	T-8	50				
T-127	48	T-9	50				
T-13	50	XL	36				
T-14	50						
T-15A	50						
T-15B	50						
T-16	50, 51						
T-201	40, 41, 42, 43, 47						
T-201A	40, 41, 47						
T-202	40, 41, 42, 43, 46, 47						
T-203	40, 41, 42, 43, 47						
T-204	40, 41, 43, 47						

ALABAMA

BIRMINGHAM, Alabama Jack
1140 5th Ave. N., **35203**
(205) 251-8156

Ⓢ **BIRMINGHAM**, Electronic Repair Co.
8518 First Ave. N., **35206**
(205) 836-0454

† **CALERA**, Quality Tool Repair
6180 Hwy 31, **35040**
(205) 668-3131

ARIZONA

† **PHOENIX**, Boerner Company
2435 E. Indian School Rd., **85016**
(602) 957-9710

† **PHOENIX**, Glenn's Tool Service
2149 E. Indian School Rd., **85016**
(602) 264-6203

PHOENIX, Unicoa Industrial
2224 N. 23rd Ave., **85009**
(602) 254-4666

TUCSON, Precision Tool & Construction
4857 East 29th St., **85711**
(520) 745-1100

TUCSON, Western Tool, Inc.
702 S. Campbell Ave., **85719**
(520) 884-0504

ARKANSAS

LITTLE ROCK, Clark Hydraulic Service
2901 Confederate Blvd., **72206**
(501) 375-1252 (800) 264-1252

CALIFORNIA

† **ANAHEIM**, Drain Cleaner Service
J. M. McKinney Co.
2911 East Miraloma Ave. Unit 4, **92806**
(800) 821-7275

ANAHEIM, Westside Building Material
1111 East Howell Ave., **92815**
(714) 385-1644

BAKERSFIELD, Bakersfield Tool Repair
424 1/2 - 24th St., **93301**
(661) 327-2820

CORONA, We-do Equipment Repair
299 East Harrison, **92879**
(909) 808-9167

FRESNO, Fresno Tool & Electric
2806 N. Wishon, **93704**
(559) 224-3038

FRESNO, Fresno Tool Repair
3351 W. Sussex Way, **93722**
(559) 229-9600

† **HAYWARD**, California Service Tool
26250-F Corporate Ave., **94545**
(510) 782-1000

LOS ANGELES, Minit Tool Repair
4170 E. Washington Blvd., **90023**
(323) 264-7006

† **(LOS ANGELES) HAWTHORNE**,
Drain Cleaner Service, J. M. McKinney Co.
12710 Yukon Ave., **90250**
(800) 821-7275

† **(LOS ANGELES) N. HOLLYWOOD**,
Bucknall Power Tool Service
11910 Vose St., **91605**
(818) 765-0228

† **PANORAMA CITY**, Drain Cleaner Service,
J.M. McKinney Co.
14624 Titus St., **91402**
(818) 786-2527

SACRAMENTO, Valley Tool Repair
4131-B Power Inn Road, **95826**
(916) 737-6300

SAN DIEGO, Tool Depot of San Diego
3799 Gaines Street, **92110**
(619) 220-7111

† **SO. SAN FRANCISCO**, C. H. Bull Company
229 Utah Ave., **94080**
(650) 871-8440

COLORADO

† **DENVER**, Aviation Industrial
3900 Ulster Street, **80207**
(303) 355-2391

† **DENVER**, Runge Tool Company
1330 South Inca Street, **80223**
(303) 744-1224

CONNECTICUT

EAST HARTFORD, Jossam Tool Repair
411 Burnham St., **06108**
(860) 289-4064

HARTFORD, Utility Electric Service
53 Main St. (South End), **06106**
(860) 246-7271

FLORIDA

† **CLEARWATER**, Atlas Constr. Equip. Services
12001 49th Street North, Suite 201, **33762**
(727) 299-0700

HOLLYWOOD, National Tool Supply
5725 W. Hallandale Beach Blvd., **33023**
(800) 432-5078

† **(MIAMI) HIALEAH**, Creation Tool Co.
3865 E. Fourth Ave., **33013**
(305) 836-7488

† **MIDDLEBURG**, A-1 Tool & Fastener
1851 Blanding Blvd., **3**
(904) 282-3707

† **ORLANDO**, Contractors Tool Service
5409 Edgewater Drive, **32810**
(407) 292-2808

PENNSACOLA,
Escambia Electric Motor Service
1101 W. Main, **32501**
(850) 432-1577

† **RIVIERA BEACH**, Action Bolt & Tool Co.
2051 Blue Heron Blvd., **33404**
(561) 845-8800 (800) 423-0700

GEORGIA

† **ATHENS**, Re-Tool
1720 Epps Bridge Rd. #105, **3**
(706) 227-1137

† **ATLANTA**, Power Tool Service Co.
1939 Hills Ave. N.W., **30318-2814**
(404) 605-0101

HAWAII

† **HONOLULU**, Lynch Co., Inc.
841 Pohukaina Street, B-1, **96813**
(808) 596-8870

IDAHO

BOISE, K.C. Supply Company
5103 Irving St., **83706**
(208) 375-1313 (800) 446-9004

ILLINOIS

WARRENVILLE, Hugo Equipment Repair
30W 180 Butterfield Rd., **60555**
(630) 393-9020

† **CHICAGO**, Allan J. Coleman Co.
5725 N. Ravenswood Ave., **60660**
(773) 728-2400

† **(CHICAGO) BERWYN**, Jacks' Inc.
6642 W. 26th St., **60402**
(708) 788-4300 (800) 773-6899

(CHICAGO) ELK GROVE VILLAGE,
Brock Tool Company
1475 Louis Ave., **60007**
(847) 956-7200 (800) 332-7625

(CHICAGO) McCOOK, Recco Tool
8805 Joliet, **60525**
(708) 442-7850

INDIANA

EAST CHICAGO,
Calumet Contractors Supply Co., Inc.
2120 E. Columbus Dr., **46312**
(219) 398-0017

EVANSVILLE, Bailey Tool & Supply
5716 East Morgan Ave., **47715**
(502) 635-6470

EVANSVILLE, Tri State Repair Service
1327 N. Fares Ave.
(Bus., Hiway 41 N.), **47711**
(812) 464-9341 (800) 457-3749

FORT WAYNE, Mill Supplies, Inc.
5105 Industrial Rd., **46825**
(260) 484-8566 (800) 589-5353

FORT WAYNE,
Wagner Electric of Fort Wayne, Inc.
3610 N. Clinton St., **46805**
(260) 484-5532

† **INDIANAPOLIS**, Anderson Brothers Tool Co.
3531 Southeastern Ave., **46203**
(317) 356-6381

IOWA

DES MOINES, Tool Hospital
1631 Second Ave., **50314**
(515) 282-3323 (800) 753-3323

DES MOINES, Tool House, Inc.
1415 Second Ave., **50314**
(515) 244-1516

KANSAS

KANSAS CITY, Acme Hydraulics, Inc.
815 Kansas Ave., **66105**
(913) 321-6385

KENTUCKY

LEXINGTON, City Electric Motor Co.
631 Kennedy Rd., **40511**
(859) 254-5581

LEXINGTON, Jiffy Tool Repair
2433 Fortune Drive, **40509**
(859) 252-1849

LOUISVILLE, Bailey Tools & Supply
1418 S. Shelby, **40217**
(502) 635-6348 (800) 999-4533

Ⓢ **LOUISVILLE**, PipeEyes/Eye-Tronics
145 Smith Lane, **40229**
(502) 955-5288

LOUISIANA

BATON ROUGE, Tool Shed, Inc.
7835 Tom Dr., Suite A, **70806**
(225) 926-6500

† **(NEW ORLEANS) HARVEY**,
Industrial Welding Supply
1452 Fourth Street, **70058**
(504) 362-9395

NEW ORLEANS, Beerman Precision, Inc.
4206 Howard Ave., **70125**
(504) 486-9391

MAINE

BANGOR, N.H. Bragg & Sons
92 Perry Road, **04401**
(207) 947-8611

MARYLAND

† **BALTIMORE**, Tool Hospital #211
1200 66th St., **21237**
(410) 483-4300 (800) 275-2379

† **UPPER MARLBORO**, Diamond Tool
8051 Penn Randall Place, **20772**
(301) 967-2844

MASSACHUSETTS

EVERETT, Panda Electrical Service, Inc.
165 Main St., **02149**
(617) 389-1442

HOLYOKE, Reliance Electric Service Co.,
573 South Canal Street, **01040**
(413) 533-3557

Ⓢ **PLAINVILLE**, Utilitronics
2 High Street, **02762**
(800) 245-8850

MICHIGAN

ANN ARBOR, McCally Tool & Supply
2451 S. Industrial Pkwy.; Suite B, **48104**
(734) 747-8332 (800) 535-6434

† **(DETROIT) LIVONIA**, Brock Tool
31090 Industrial Rd., **48150**
(734) 261-9333

GRAND RAPIDS,
Hoeksma Tool Service, Inc.
2499 28th St., S.W., **49509**
(616) 538-1870

KALAMAZOO,
Kalamazoo Electric Motor Inc.
414 Mills Street, **49001**
(269) 345-7802

KINGSFORD, IDG
1021 Pyle Drive, **49802**
(906) 774-3991

MINNESOTA

† **ST. PAUL**, Total Tool Supply Company
315 N. Pierce St., **55104**
(651) 646-4055 (800) 444-4899

MISSISSIPPI

JACKSON, Flannigan Electric Co., Inc.
1820 South West St., **39201**
(601) 354-2756 (800) 962-7638

MISSOURI

† **KANSAS CITY**,
Construction & Ind., Sup., Co. (CISCO)
1901 McGee St., **64108-1827**
(816) 842-7777 (800) 444-0453

† **ST. LOUIS**,
Cable Center, Drain Cleaner Service
8318 Olive Blvd., **63132**
(314) 993-3099 (800) 257-7209

ST. LOUIS, PM Electric Co., Inc.
5280 Fyler Ave., **63139**
(314) 351-4550

MONTANA

BILLINGS, Ted's Electric Service
102 11th Street West, **59102**
(406) 259-6418

NEBRASKA

† **LINCOLN**,
The Tool House of Henkle & Joyce
800 Q Street, **68501**
(402) 474-4638 (800) 279-2658

OMAHA, Thacker Electric
8517 I St., **68127-1615**
(402) 592-9433

NEVADA

† **LAS VEGAS**, Sewer Cable Equipment Co.
2834 Marco St., **89115**
(702) 433-5401
(Kollmann Only)

LAS VEGAS, Tool Service, Inc.
2912 South Highland, Suites C&D, **89109**
(702) 734-9161

(RENO) SPARKS, Industrial Equipment Co.
310 Kresge Lane, **89431**
(775) 331-1032

NEW JERSEY

(NEWARK) CLIFTON, The Tool Box
119 Lakeview Ave., **07011**
(973) 340-7652

(ELIZABETH) ROSELLE,
Air & Electric Tool Service
130 West 3rd. Ave., **07203**
(908) 241-6930

NEW MEXICO

† **ALBUQUERQUE**, Power Tool & Saw Service
2800 Richmond Drive, **87107**
(505) 856-2158

NEW YORK

(ALBANY) RENNELAER,
Albany Hydraulic & Lube Serv. Inc.
98A Columbia Turnpike, **12144**
(518) 462-5425

BUFFALO, S.S. Electric Repair Shop, Inc.
2470 Seneca St., **14210**
(716) 823-1232

(LONG ISLAND) HUNTINGTON STATION,
A&T Power Tools
515 East Jericho Turnpike, **11746**
(631) 271-2141

(LONG ISLAND) WANTAGH,
Ace Tool Repair, Inc.
2201 Wantagh Ave., **11793**
(516) 783-8899

(N.Y.C.) BRONX, Modern Suppliers, Inc.
1090 Leggett Ave., **10474**
(718) 328-8000

† **(N.Y.C.) BROOKLYN**, J & A Repair Shop
6206 20th Ave., **11204**
(718) 232-5746 / (718) 232-8409

(N.Y.C.) BROOKLYN,
The White Tool & Supply, Inc.
3047 Atlantic Ave., **11208**
(718) 277-8844

† **(N.Y.C.) MASPETH**, Davis & Warshow
57-22 49th Street, **11378-0039**
(718) 937-9500 (888) 937-9500

† **ROCHESTER**, Hanes Supply Co.
10 Cairn Street, **14611**
(585) 235-0160

SYRACUSE, Syracuse Armature
1622 Burnet Ave., **13206**
(315) 476-2576 / 476-2596

NORTH CAROLINA

BELMONT, ENSCO
2100 The Oaks Pkwy, **28012**
(704) 398-5600

DURHAM, Paynes Tool & Supply
5010 Hwy. 55, **27713**
(919) 544-9134

OHIO

(CINCINNATI) HARRISON, F & M Mafco
9149 Dry Fork Road, **45030**
(513) 367-2151

CLEVELAND, A & A Hydraulic Repair Co.
5301 W. 161 St., **44142**
(216) 362-4000

† **(CLEVELAND) ELYRIA**,
RIDGID Factory Service Center
321 Sumner St., **44036-2023**
(440) 323-5581

Ⓢ SeeSnake ONLY

† Authorized SeeSnake Repair Center

† **COLUMBUS**, Ohio Power Tool, Inc.
1042 Dublin Rd., **43215**
(614) 481-2111 (800) 242-4424
DAYTON, M&R Electric Motor Service
1516 East Fifth St., **45403**
(937) 222-6282 (800) 242-4424 (Ohio Only)
(TOLEDO) NORTHWOOD,
A&C Tool & Equipment Repair
6949 Wales Rd., Suite 5, **43619**
(419) 662-6560
YOUNGSTOWN, Pennsylvania Tool Sales
625 Bev Road, **44512**
(330) 758-0845

OKLAHOMA

Ⓢ **OKLAHOMA CITY**,
Central Oklahoma Winnelson
5037 N. 10th Street, **73127**
(405) 947-8761
OKLAHOMA CITY, Whitton Supply Co.
1419 West Reno, **73106**
(405) 236-5561

OREGON

BEAVERTON, Karn Repair Service
1800 NW 169th Place, **97006**
(503) 228-8313
EUGENE, Eugene Power Tool
245 Van Buren St., **97404**
(541) 232-5061
PORTLAND, General Tool & Supply
2705 NW Nicolai St., **97210**
(503) 226-3411
† **SHERWOOD**, Trade Tool & Supply Co.
11670 SW Waldo Way, **97140**
(503) 221-8665

PENNSYLVANIA

† **(HARRISBURG) MECHANICSBURG**,
Power Tool Service Company
101 Westley Drive, **17055**
(717) 766-7636 (800) 382-1311

† **PHILADELPHIA**,
Regent Hydraulic & Machine Works, Inc.
4051 Cresson Street, **19127**
(215) 482-2050

(PHILADELPHIA) CHESTER,
Jekk Tools & Fasteners
729 West 2nd Street, **19013**
(610) 874-6200

PITTSBURGH, CTS Incorporated
3500 Liberty Ave., **15201**
(412) 681-6673

† **PITTSBURGH**, H K McJunkin Inc.
7724 Edgewood Ave., **15218**
(412) 271-5400
(Kollmann Only)

PITTSBURGH, Scott Electric Co.
39th & Butler Street, **15201**
(412) 687-5005

(PITTSBURGH) NEVILLE ISLAND,
Construction Rental & Supply
5601 Grand Ave., **15225**
(412) 269-9109

PUERTO RICO

RIO PIEDRAS, Isla Supply Corp.
Carretera 181 KM1.8,
Expreso Trujillo Alto, **00929**
(787) 761-7355

RIO PIEDRAS, Ferretaria Abraham Inc.
Calle 16 S.O. 1534
Caparra Terrace, **00922**
(787) 782-6033

RHODE ISLAND

(PROVIDENCE) WARWICK,
Electric Motor Service, Inc.
3070 Post Rd., **02886**
(401) 737-2534

SOUTH CAROLINA

WEST COLUMBIA, Mann Tool & Supply
802 Chris Drive, **29169**
(803) 252-7777 (800) 356-6266

GREENVILLE, Ameco
2106 Anderson Road, **29611**
(864) 295-7800

Ⓢ **SUMTER**, Jet Vac Sewer Equipment
5746 Broad Street, **29154**
(803) 494-4430

TENNESSEE

KNOXVILLE,
Tennessee Armature & Electric Co., Inc.
3101 Galway St. **37917-6155**
(865) 524-3681

MEMPHIS, Jones Tool Service
1314 Madison Ave., **38104**
(901) 726-0191/0195

NASHVILLE, Hermitage Tool, Inc.
1034 4th Ave., S., **37210**
(615) 254-0820

NASHVILLE, Reeves Power Tools & Repair
108 Lafayette St., **37210**
(615) 256-8817

TEXAS

† **AUSTIN**, Austin Tool, Inc.
210 Industrial Blvd., **78745**
(512) 447-4905

CORPUS CHRISTI, Corpus Christi Power
Tool & Repair
3701 Agnes Street, **78405**
(361) 883-1117

CORPUS CHRISTI, Bush Hydraulics
2012 N. Lexington Blvd., **78409**
(316) 289-0441 (800) 580-2874

† **DALLAS**, Big D Tool Center, Inc.
2535 Irving Blvd., **75207**
(214) 631-3731

HOUSTON, Hydraulic Equipment Service Co.
1021 N. San Jacinto St., **77002**
(713) 228-9601

† **HOUSTON**, Tool Mart, Inc.
2412 Texas Ave., **77003**
(713) 222-8665

LUBBOCK, Lubbock Electric Company, Inc.
1108 34th St., **79405**
(806) 744-2336

MCALLEN, Rio Grande Plumbing Supply
1010 East Pecan, **78502**
(956) 686-9557

ODESSA, Ace Specialties Inc.
302 Industrial, **79763**
(432) 332-0691

ODESSA, Engine Service & Supply Co.
1902 N. Andrews Highway, **79761**
(432) 337-2386 (800) 441-0636

Ⓢ **ROCKWALL**, Utility Equ. Tech. Inc.
382 Stevens Road, **75032**
(972) 771-8958

SAN ANTONIO,
Electric Motor Service & Sales
1514 E. Commerce, **78205**
(210) 226-3462

† **SAN ANTONIO**, Tool Mart Inc.
10568 Sentinal Street, **78217**
(210) 655-6116

UTAH

SALT LAKE CITY,
Diamond Electric Motor Repair
1465 South 300 West, **84115**
(801) 484-4325 (888) 485-4325

VERMONT

SOUTH BARRE, Reynolds & Sons Inc.
Bridge Street, **05670**
(802) 479-0101

VIRGINIA

NORFOLK, Bryan Electric Company, Inc.
424 W. 25th St., **23517**
(757) 625-2525

† **RICHMOND**, Brock Tool & Supply
2500 Glen Center St., **23223**
(804) 648-7004

RICHMOND, Roy's Electric Motor Service
3201 Norfolk St., **23230**
(804) 355-5713

ROANOKE, Magic City Supply, Inc.
1603 Granby St. NE, **24012**
(540) 985-0822

WASHINGTON

SPOKANE, Edge Construction Repair
1507 E. Riverside, **99220**
(509) 535-9841 (800) 348-4808

TACOMA, Center Electric Co.
1212 S. 30th St., **98409**
(253) 383-4416

† **SEATTLE**,
Poppleton Electric & Machinery Co., Inc.
969 South Nebraska St., **98108**
(206) 762-9160

WEST VIRGINIA

(CHARLESTON) POCA,
Ohio Tool Systems, Inc.
305 Jacobson Drive, **25159**
(304) 755-5030

HUNTINGTON, Lawter Electric Motor Co.
202 Adams Ave, **25701**
(304) 522-8297

WISCONSIN

GREEN BAY, Power Tool Service
300 N. Webster Ave., **54301**
(920) 437-2594

† **PEWAUKEE**, Jensen Equipment Co., Inc.
N.27 W23015 Roundy Dr., **53072**
(262) 547-5548 (800) 875-8875

CANADA
ALBERTA

CALGARY, Power Tool Clinic LTD.
2520 - 23rd St. NE Bay 6, **T2E 8L2**
(403) 276-4633

EDMONTON, Century Vallen
4810 - 92 Ave., **T6B 2X4**
(780) 468-3366

† **EDMONTON**, Celtic Industrial Tools Ltd.
5736 - 103A St., **T6H 2J5**
(780) 431-0970

BRITISH COLUMBIA

LANGLEY, AC Power Tool Clinic Ltd.
105 19835 56th Ave., **V3A 3Y1**
(604) 530-3550

† **VANCOUVER**, Armature Electric Ltd.
275 West 4th Ave., **V5Y 1G8**
(604) 879-6141

MANITOBA

† **WINNIPEG**, Wolseley Industrial Products
1300 St. Matthews Ave., **R3G 3K4**
(204) 786-7861

ONTARIO

LONDON, A. C. Jenkins Electric Repair Ltd.
1188 Frances St., **NSW 2M1**
(519) 451-4020

OTTAWA, Mytek Power Tools Service
2535 Blackwell St. Unit 110, **K1B 4E4**
(613) 749-7294

(HAMILTON) STONEY CREEK,
Charles Jones Industrial Ltd.,
237 Arvin Ave., **L8E 5S6**
(905) 664-8448

SARNIA, Serv-A-Tool & Repairs
866 Philip St., Unit F, **N7T 1Z6**
(519) 344-8837

† **(TORONTO) WESTON**,
Pipe Tools Repair & Service Centre Ltd.
114 Rivalda Rd., **M9M 2M8**
(416) 749-5830

PRINCE EDWARD ISLAND

CHARLOTTETOWN, CTF Supply
3 Macausland Road, **C1A 8C1**
(902) 368-1132

QUEBEC

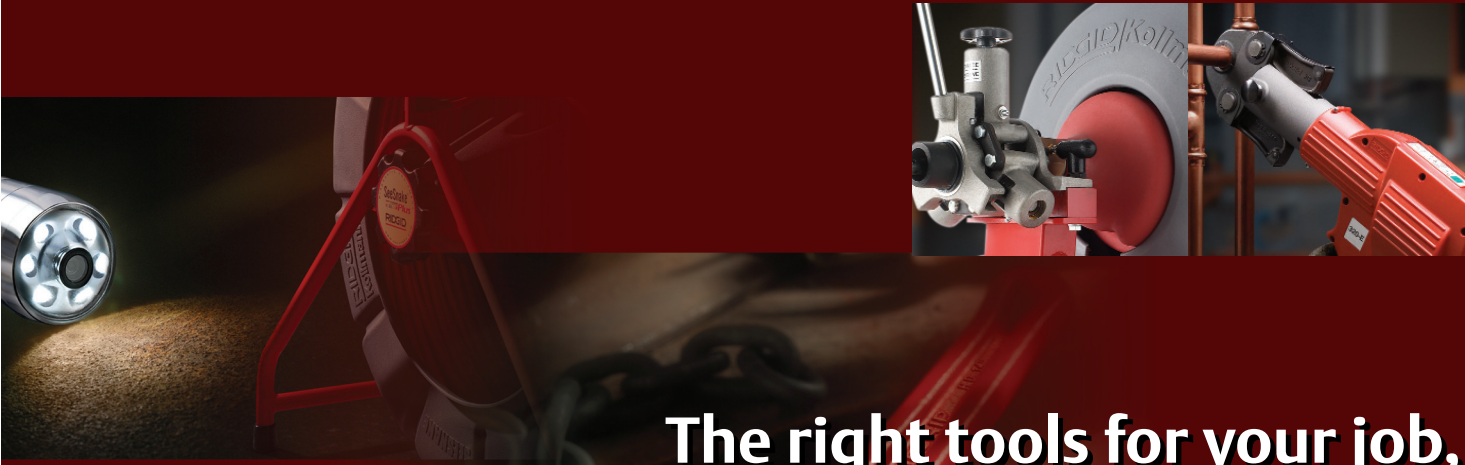
QUEBEC CITY, Clinique D'Outilage MP, Inc.
3075 Boulevard Hamel, Apt. 107, **G1P 4C6**
(418) 877-3371

Ⓢ **QUEBEC CITY**, DNR Electronique
57 Marie Del'Incarnation, **G1N 3E9**
(418) 681-5055

MONTREAL, Leger Hoist Equipment, Inc.
7995 17th Ave., **H1Z 3R2**
(514) 376-3050

† **(MONTREAL) LAVAL**,
Centre de Reparations Hydrauliques
Uptown Ltee
1213 Rue Tellier, **H7C 2H1**
(450) 664-1111 or 1-800-363-7956

SHERBROOKE, Do-Mar Electric Inc.
1136 Rue King Est, **J1G 1E4**
(819) 563-2234



The right tools for your job, the right distributor for your tools.



There's no substitute for the right RIDGID professional tool. And there's no substitute for a RIDGID PROPlatinum or PROSilver distributor.

RIDGID PROPlatinum and PROSilver distributors carry a broad line of genuine RIDGID products and maintain large inventories of the tools, accessories and parts you need now. They're dedicated to keeping their product knowledge up-to-the-minute and stock the latest in new RIDGID products. Regular authorized factory training provides these dealers with a thorough knowledge of the complete RIDGID line and makes them an excellent source for all your product application questions and for information about new RIDGID products.

Log on to ridgid.com to find the name of the PROPlatinum or PROSilver distributor nearest you. And while you're on-line, register today to receive regular updates on special offers as well as information on the

newest
RIDGID tools.

We
Build
Reputations™



EMERSON. CONSIDER IT SOLVED.™